

SYSTEMS FOR WELLNESS

Programme · effective October 1, 2024

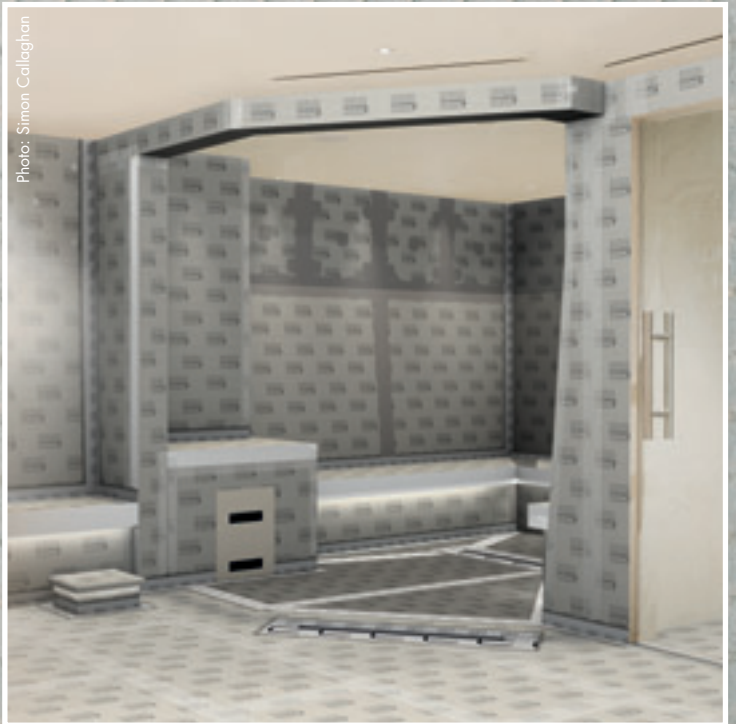
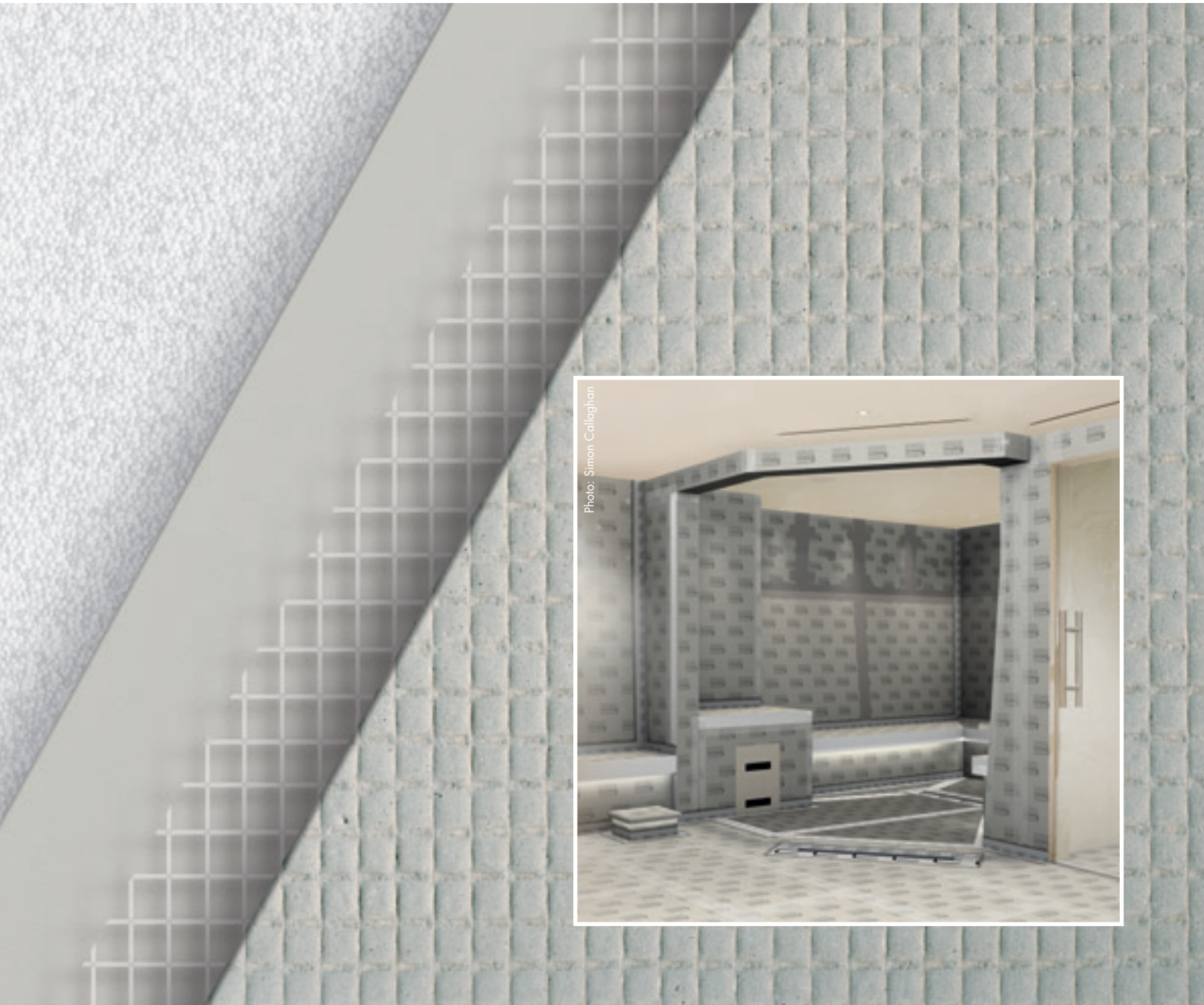


Photo: Simon Callaghan

Welcome to LUX ELEMENTS



Photo: Simon Collaghton

The family-owned company LUX ELEMENTS is an experienced specialist in handling polystyrene hard foam and its further processing into secure substrates for bathrooms and wellness areas.

The product range is based on the ground-breaking invention of company founder Herbert Lux, patented in 1981: 'The Original' – a support element with a core of hard foam and double-sided mortar coating in which a stabilising glass fibre fabric is embedded.

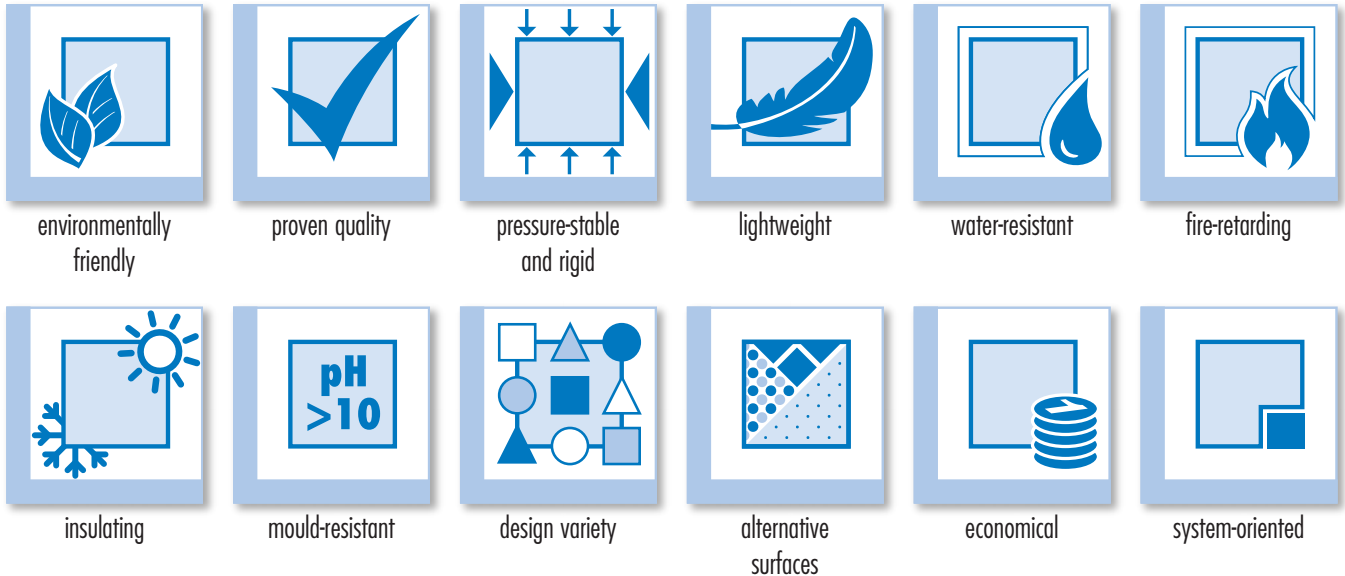
Starting from the construction panel in different thicknesses, the range has been constantly developed and expanded. Today, LUX ELEMENTS offers complete systems for **bathroom and shower, private spa and wellness.**



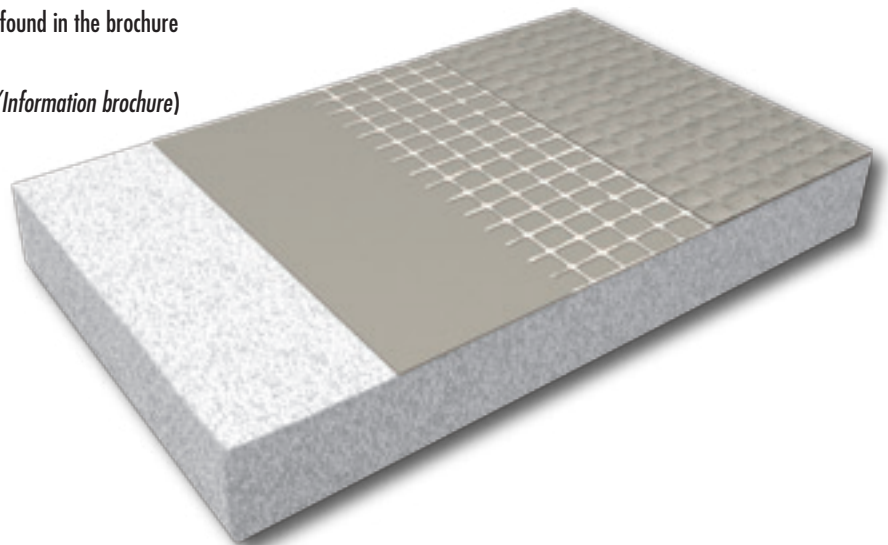
LUX ELEMENTS® – The original

On account of its outstanding physical properties in combination with very good workability, this moisture-resistant and modern building material creates free space for planners, designers, tradesmen and industry – whether in the form of panels, blanks or ready-made products.

Hard foam support elements from LUX ELEMENTS are characterised by these advantages:



Detailed information on the material properties can be found in the brochure
'Sustainability – The Original can do'
(Download from www.luxelements.com under *Downloads/Information brochure*)



LUX ELEMENTS – Competence and experience

The 'Systems for Wellness' product range was developed on the basis of LUX ELEMENTS' decades of experience in international wellness facility construction.

It includes products for the design and installation of individual spa and wellness projects in both the public and private sector.

LUX ELEMENTS offers:

- High quality through the checking of all production stages in our own factory
- Many years of experience in the international public and private spa market
- Standard products for bathrooms and spa areas
- Extendable systems and flexible solutions for every room situation



'Systems for Wellness' offers:

- Individual room constructions according to the customer's wishes in flexible sizes; round shapes are also possible
- Products for extending the wellness area, from the shower unit to the relaxation lounge
- Individual design through surface design with tiles, plaster or stopping



LUX ELEMENTS – Online

■ Website – Product information and download centre



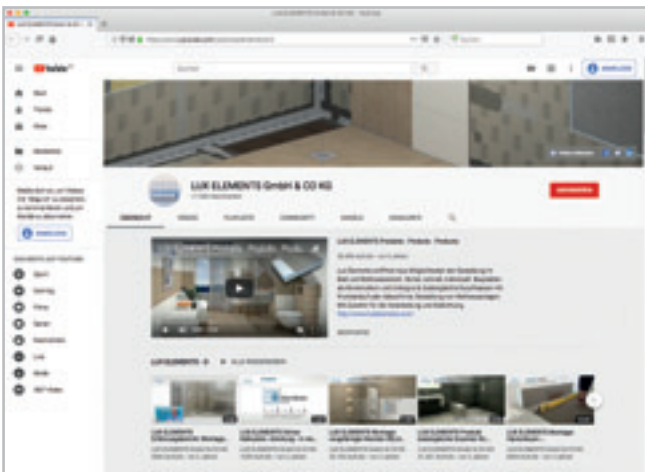
Detailed information on all products and on the company and link to the online calculator.

A clearly arranged download area contains data sheets, assembly instructions, test reports and all brochures in PDF format.

www.luxelements.com



■ YouTube – Product and assembly videos

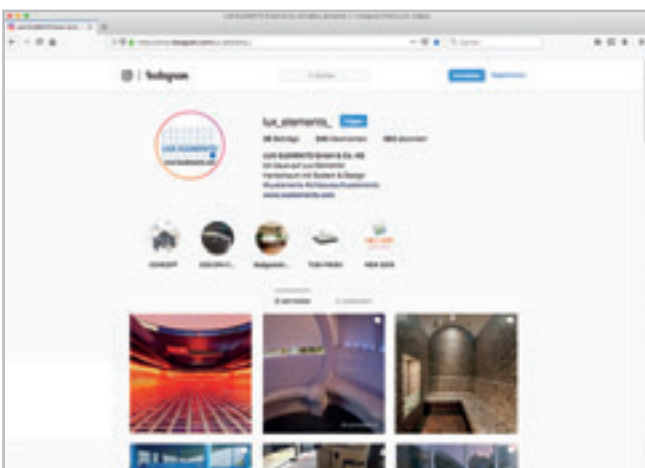


Illustrative information on many products, arranged into playlists. An extensive range of assembly videos shows you step by step how fast and simple the installation of the LUX ELEMENTS® hard foam support elements is:

www.youtube.com/user/luxelementscom



■ Social Media – Current news and pictures



The LUX ELEMENTS social media channels provide information on trade fairs, customer events, products, anniversaries and much more. Subscribe to our company pages – you're in for a surprise!

Facebook



Instagram



LinkedIn



LUX ELEMENTS – Wellness



Individual room constructions



Shower units

Baths and pools

Furnishings

Individual room constructions – LUX ELEMENTS®-CONCEPT-ROOM

Technical solutions – LUX ELEMENTS®-ADD-TE

Heating – LUX ELEMENTS®-ADD-EH / -WH

Light – LUX ELEMENTS®-ADD-LI

Sound – LUX ELEMENTS®-ADD-SO

**Systems for
individual
room constructions**

from page 8

Round shower – LUX ELEMENTS®-RELAX-RD

Curved shower – LUX ELEMENTS®-RELAX-SD

Shower units – LUX ELEMENTS®-RELAX-SHOWER

Baths and pools – LUX ELEMENTS®-RELAX-BE

Furnishings – LUX ELEMENTS®-FURNITURE

Relaxation loungers – LUX ELEMENTS®-RELAX-RL

Decorative elements – LUX ELEMENTS®-DECO

**Systems for
shower units,
baths and pools,
furnishings**

from page 58

LUX ELEMENTS – Systems for Wellness

Individual room constructions

CONCEPT-ROOM is the system for individual room constructions in freely selectable shapes and sizes. Flexibly usable, e.g. as steam bath or cold room, in both the public and private wellness area.

The system enables:

- The combination of pre-designed components and technical articles
- Completely free planning
- The combination of free planning and standard articles



Individual room constructions – Content

Individual room constructions



Individual room constructions – CONCEPT-ROOM	10
Walls / Glass and profile construction	12
Walls – CONCEPT-WA	14
Aluminium door frames and glass door – CONCEPT-DOOR	18
Glass and profile construction – CONCEPT-DOOR-GF	20
Floors	22
Floor elements and substrate elements – CONCEPT-BO and CONCEPT-UBO	24
Floor drain systems and accessories – TUB-BA / TUB-LINE-BA	26
Roofs	28
Roofs – CONCEPT-DA	30
Seat variants	36
Seat variants – CONCEPT-BA	38

Technical solutions



Technical solutions	48
Installation panel – ADD-TE IPA	50
Maintenance opening – ADD-TE REV	52
Steam inlet – ADD-TE DE / Millings – ADD-TE TF / Hard plastic insert – ADD PRO-MAK	54
Acceptance of an LED spot mounting sleeve (WDT) – ADD-TE AF/AI / Acceptance of an empty conduit – ADD-TE LF/LI / Acceptance of a flush-mounted socket (WDT) – ADD-TE UF/UI	56
Heating – ADD-EH / -WH	55



Light – ADD-LI	56
----------------------	----

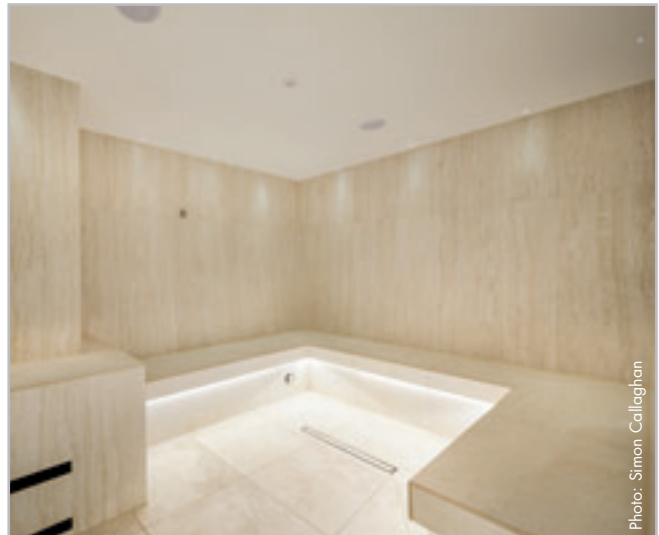


Sound – ADD-SO	57
----------------------	----

Individual room constructions

CONCEPT-ROOM

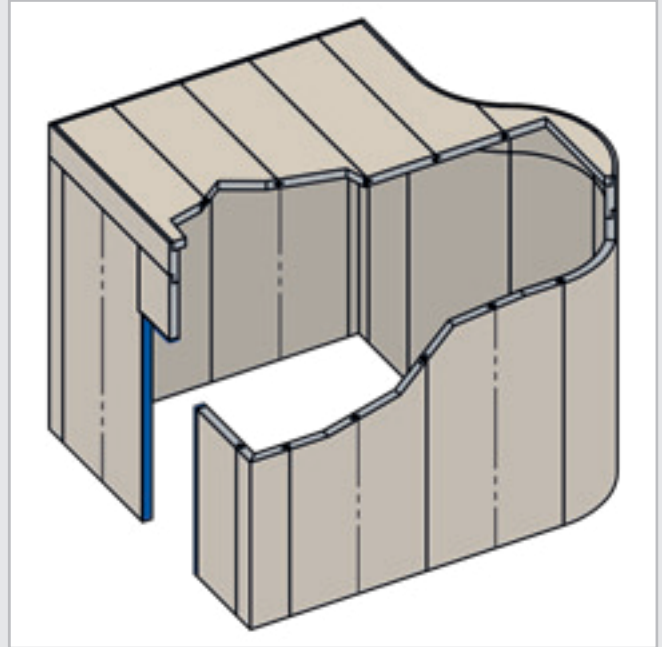
- Freely combinable building kit for cabins consisting of individual components
- Matching heating equipment and lighting
- Complete mounting accessories as a kit, tailored to the cabin dimensions
- Optional technical accessories e.g. steam inlet, installation panel or flush-mounted box



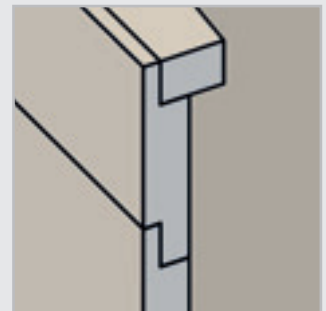
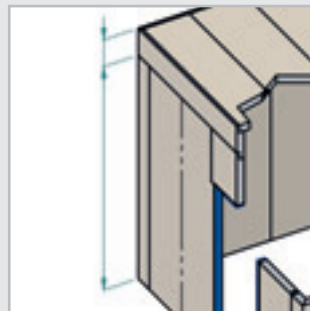
Technical information concerning connections

The method of construction for the connection of the individual components ensures decisive advantages:

- Fast and simple assembly thanks to optimised fitting accuracy of the elements
- High production accuracy thanks to the use of state-of-the-art cutting technologies

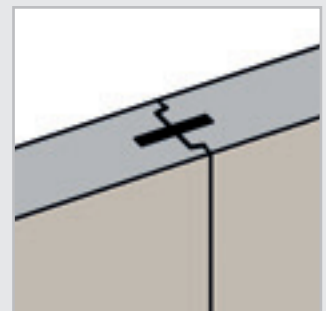
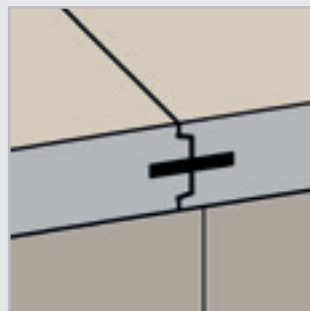


- Flexible wall height: panel length up to 2500 mm, higher walls possible by using wall extension
- Wall extension and roof support with step seam

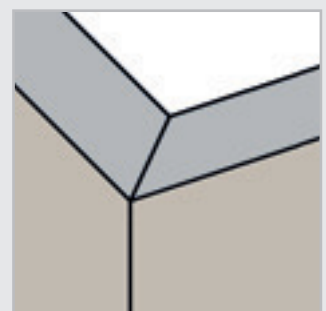
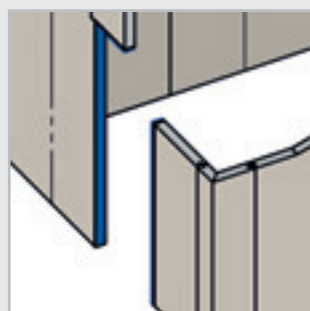


- Particularly stable panel connection thanks to tongue and groove principle
- Self-levelling panel connection thanks to V-groove

(Design varies depending on the wall thickness, pictures show the design with a wall thickness of 50 mm).



- Stable fastening option for the door profile thanks to ADD PRO-MAK over the entire panel width (circumferential on 3 sides of the door opening)
- Corners glued in the factory





Walls

Hard foam support elements from LUX ELEMENTS enable you to create individual rooms or areas for wellness and spa facilities. The material is suitable for use as a hot, warm or cold air room. It is delivered in segments, which are assembled on site. A sophisticated method of construction for the connection of the individual components ensures **high stability**.

The final surface design with selected ceramics or plaster produces an individual room that radiates a feeling of harmony and comfort.

These variants are possible for the wall design:

- **Straight walls**
for square or rectangular rooms
- **Straight walls combined with glass mounting parts**
for square or rectangular rooms, combined with glass mounting parts
- **Free-form walls**
for all room shapes

Glass and profile construction

A glass front in conjunction with a glass door creates a transparent room construction with more incidence of light from the outside. In addition, it gives the room a modern look.

The system for glass and profile constructions from LUX ELEMENTS can be combined with hard foam support elements or used on its own.

The range consists of these parts:

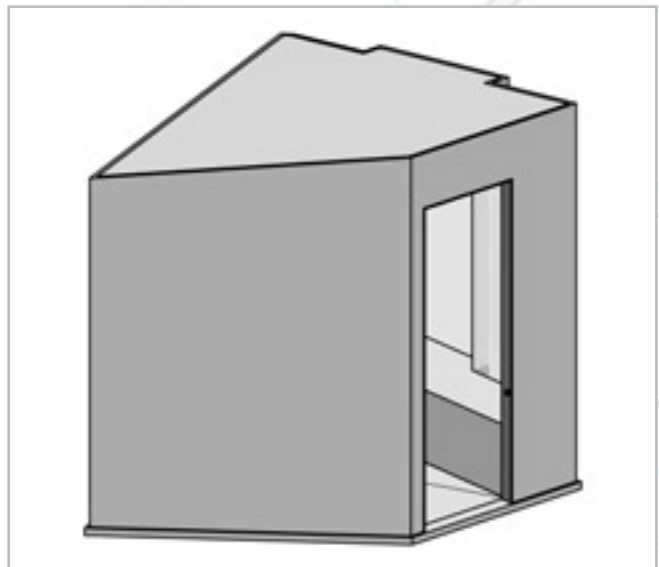
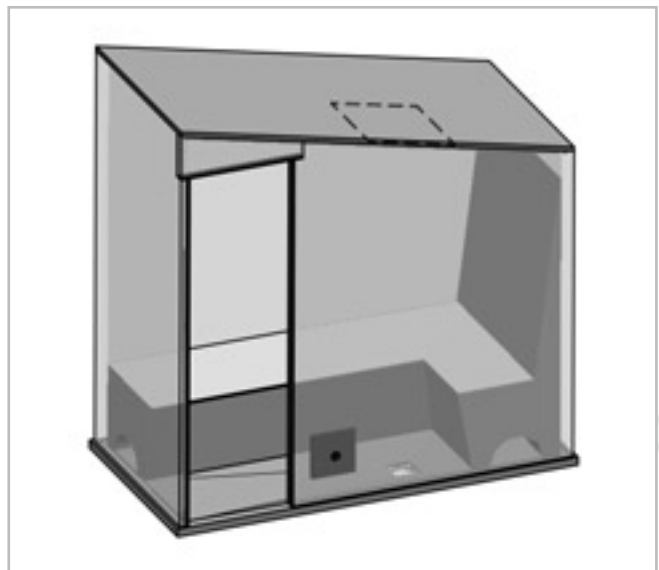
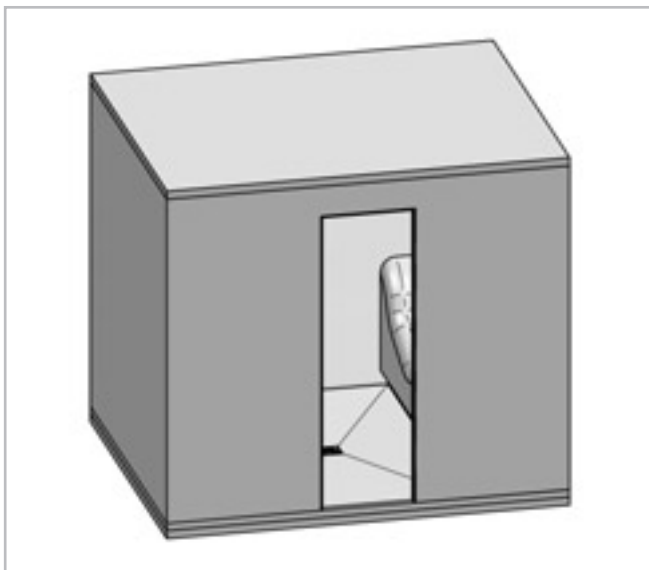
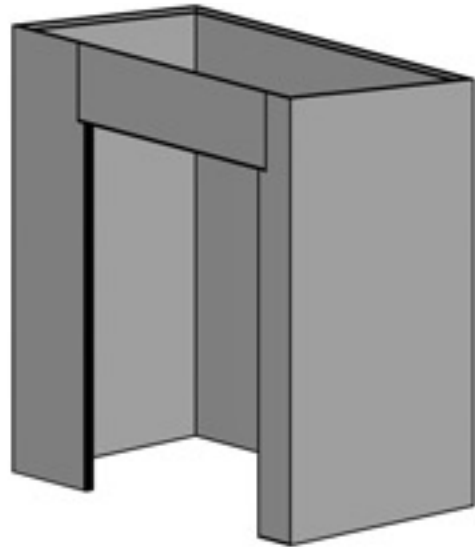
- Aluminium door frames (block profile or flat profile)
- Glass door with drilling for door hinges and handle
- Aluminium door knob or stainless steel handle bar
- Profile construction
- Frame construction
- Glass elements



Straight walls

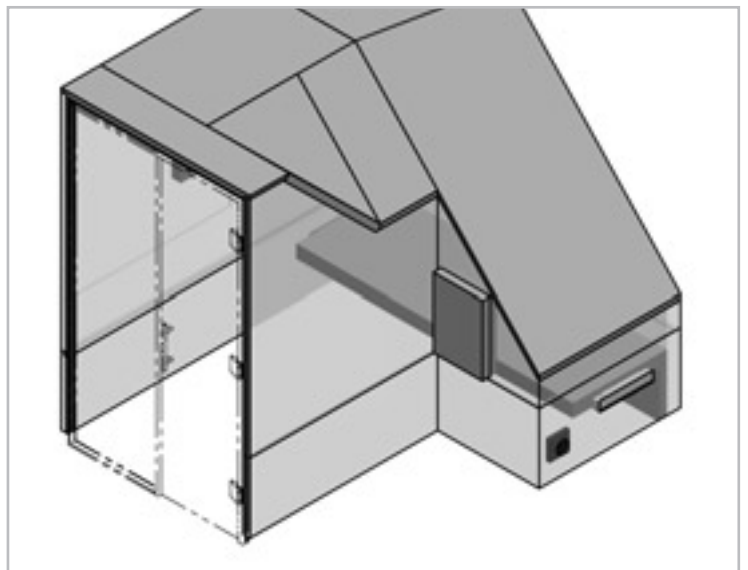
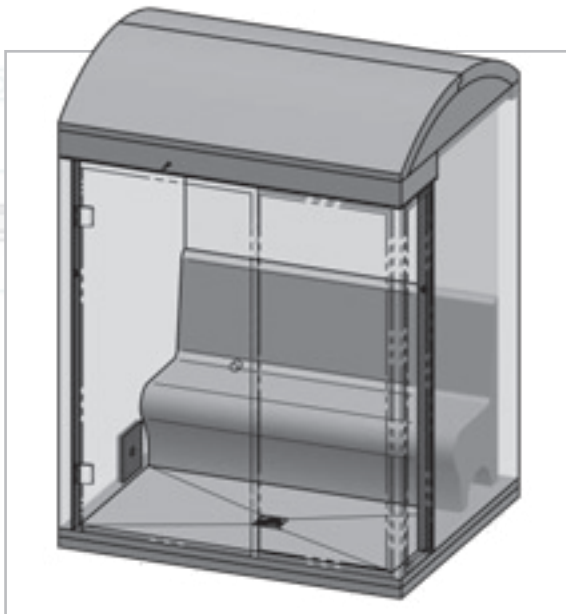
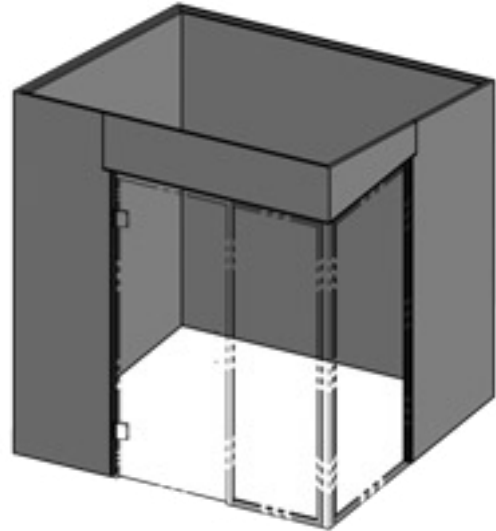
CONCEPT-WA G

- Walls made of straight hard foam support elements for square or rectangular rooms
- Wall thickness 50 or 80 mm
- Matching, customised mounting material available (optional)



Straight walls combined with
glass mounting parts
CONCEPT-WA GF

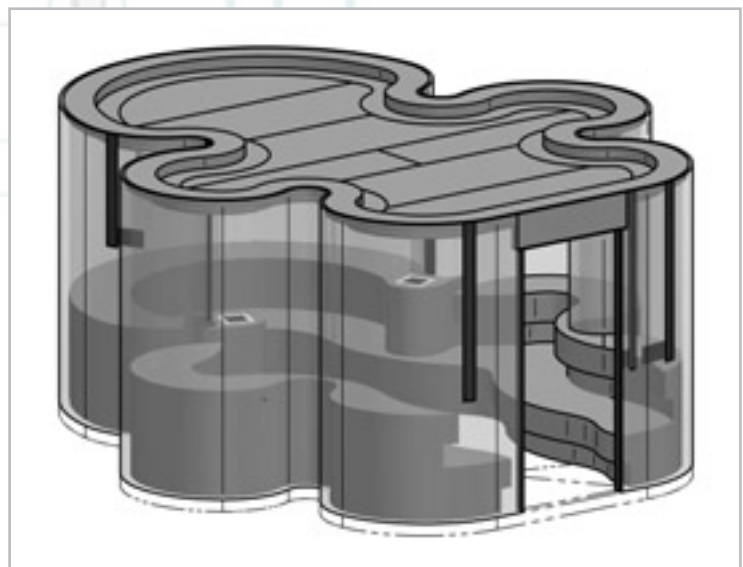
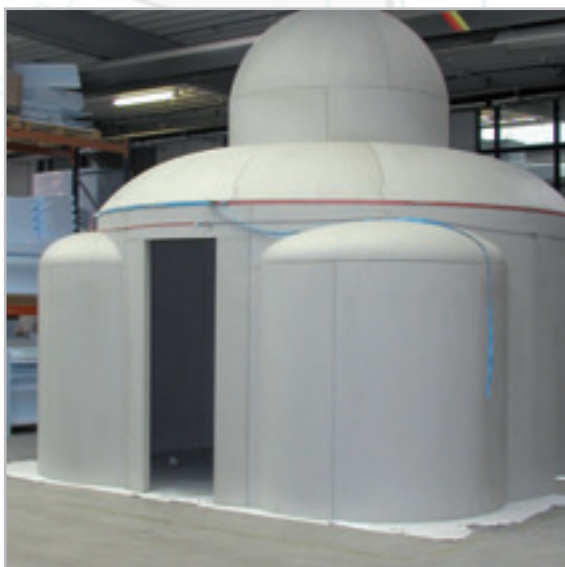
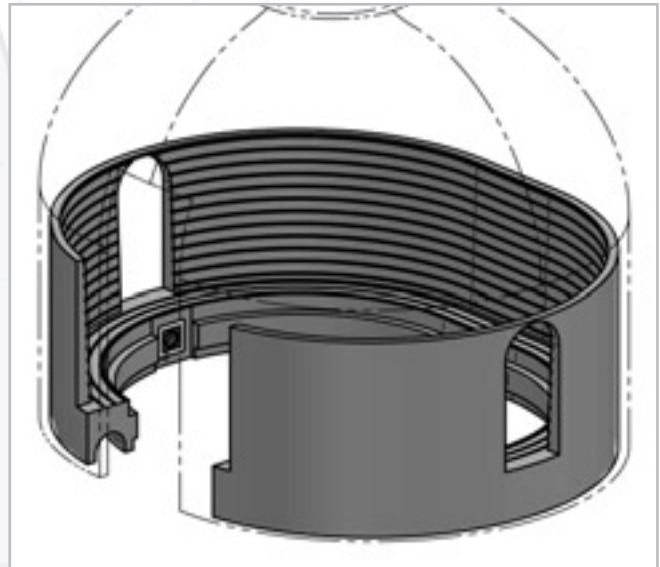
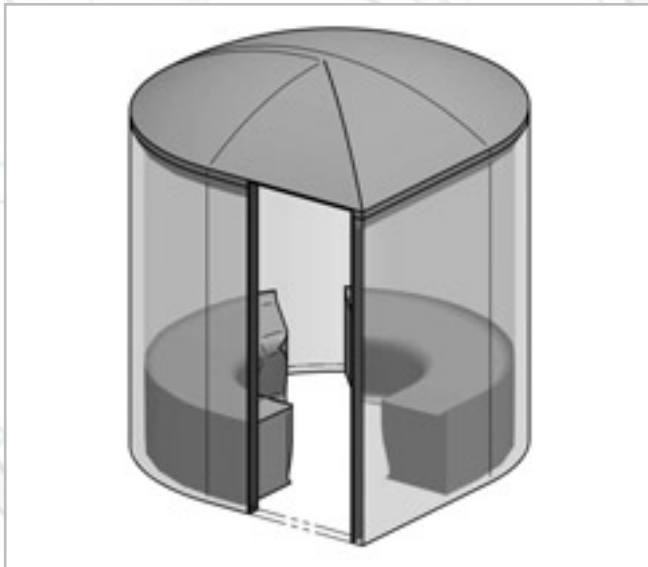
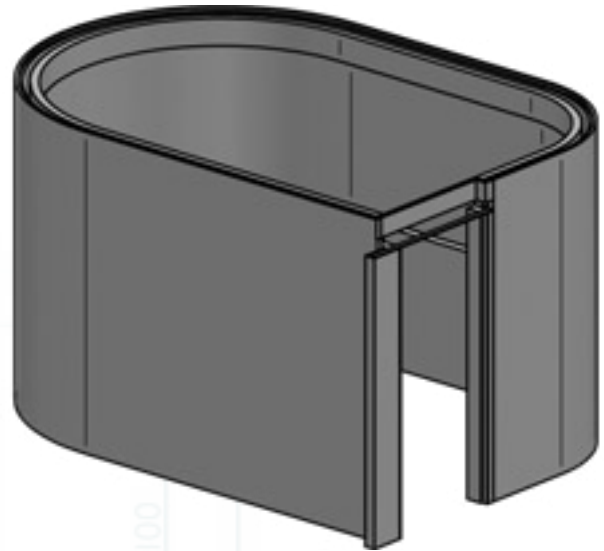
- Walls made of straight hard foam support elements for square or rectangular rooms, combined with glass mounting parts
- Wall thickness 50 or 80 mm
- Matching, customised mounting material available (optional)

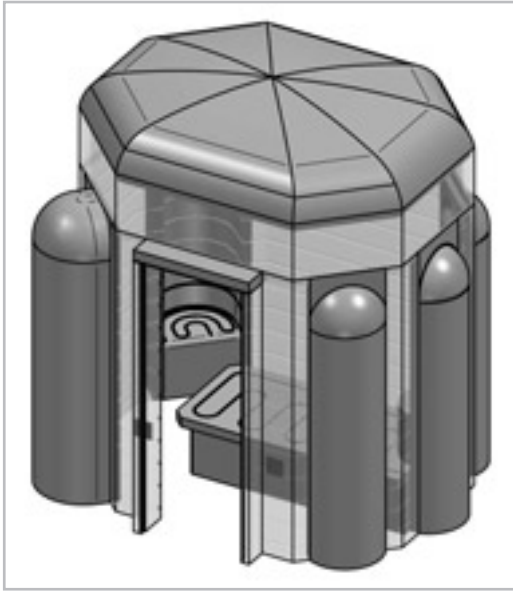
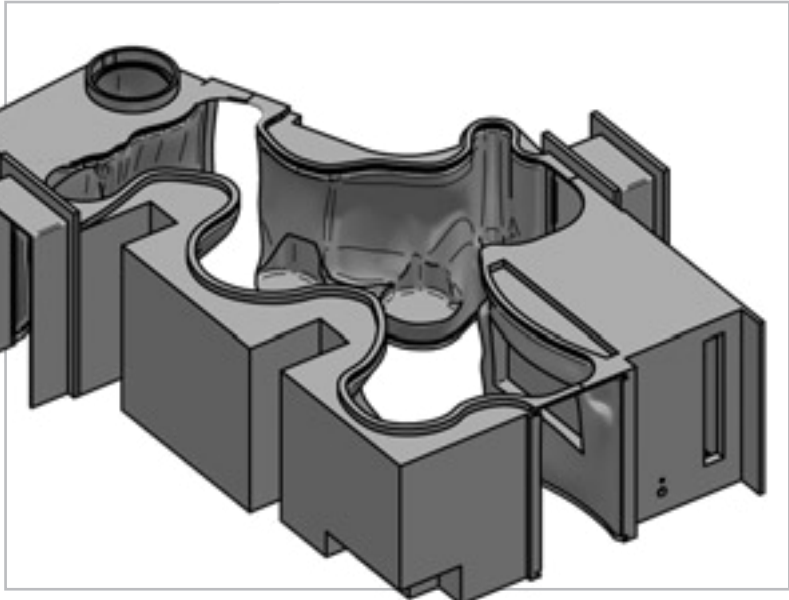
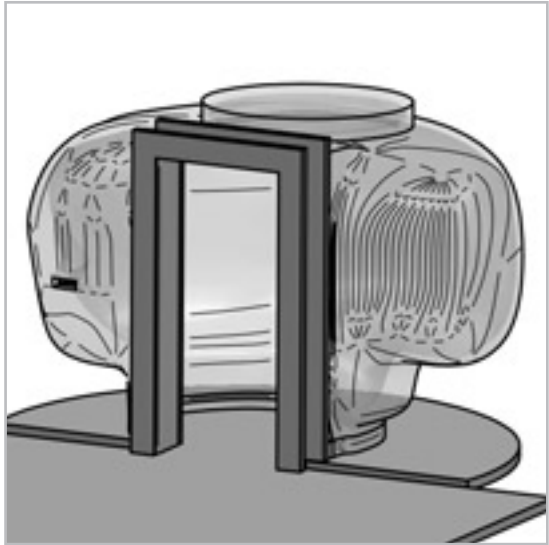
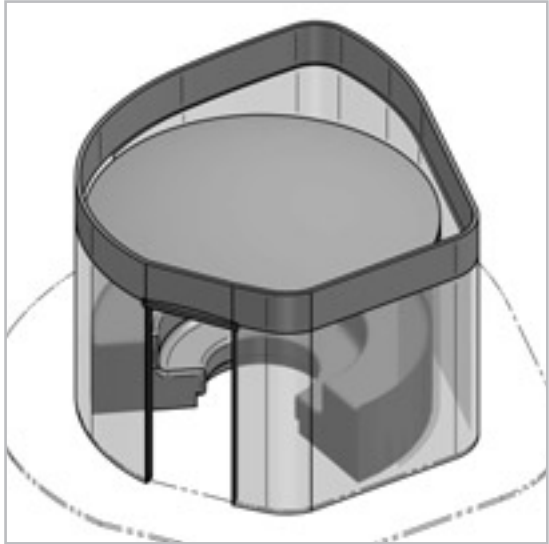


Free-form walls

CONCEPT-WA R

- Walls made of rounded or straight hard foam support elements for all room shapes
- Wall thickness 50 or 80 mm
- Combinable with glass mounting parts
- Matching, customised mounting material available (optional)





Aluminium door frames and glass door
CONCEPT-DOOR

Glass door – CONCEPT-DOOR-GT

- ESG 8 mm made to measure or standard size
- Incl. drilling for door knob or handle bar

Aluminium door knob – CONCEPT-DOOR-TK

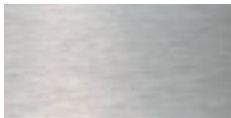
- Similar to stainless steel, polished

Stainless steel handle bar – CONCEPT-DOOR-GS

- Brushed

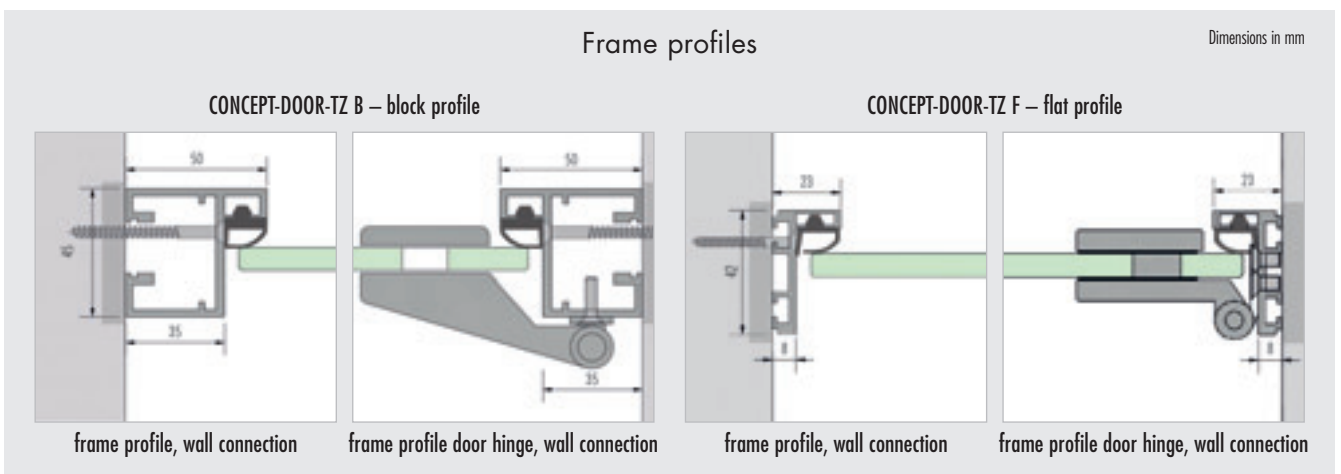
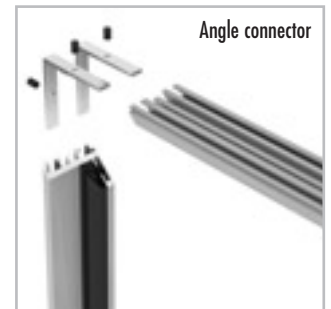
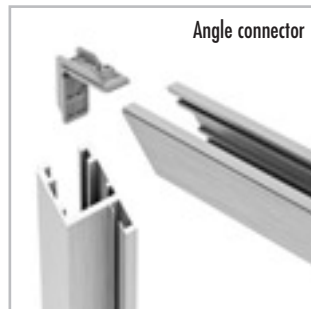
Aluminium door frames – CONCEPT-DOOR-TZ B/F

- Aluminium door frames, made to measure, anodised, with locking mechanism and hinges for glass doors
- Block profile or flat profile (also available in standard size)
- Surface polished similar to stainless steel



Surface polished similar to stainless steel, anodised





Glass and profile construction **CONCEPT-DOOR-GF**

Offers individual room constructions the greatest transparency: Combination of profile frames with block frames including glass door hinges as well as 8 mm tempered safety glass elements (ESG panes)

Profile construction – CONCEPT-DOOR-GFZ

- Aluminium

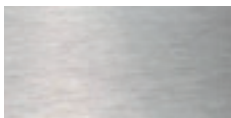
Frame construction – CONCEPT-DOOR-GFR

- Aluminium, frame profile for window opening

Glass elements – CONCEPT-DOOR-GFG

- ESG 8 mm to fit GFZ/GFR combination, if necessary including holes for handle/door knob/door hinges

The profile constructions are available in these colours:
(... or on request also in your personal colour of choice)



Surface polished similar to stainless steel,
anodised (standard)



Matt silver EV 1



Paint, white RAL9016



Dark grey metallic metallic DB703



Deep black matt RAL 9005

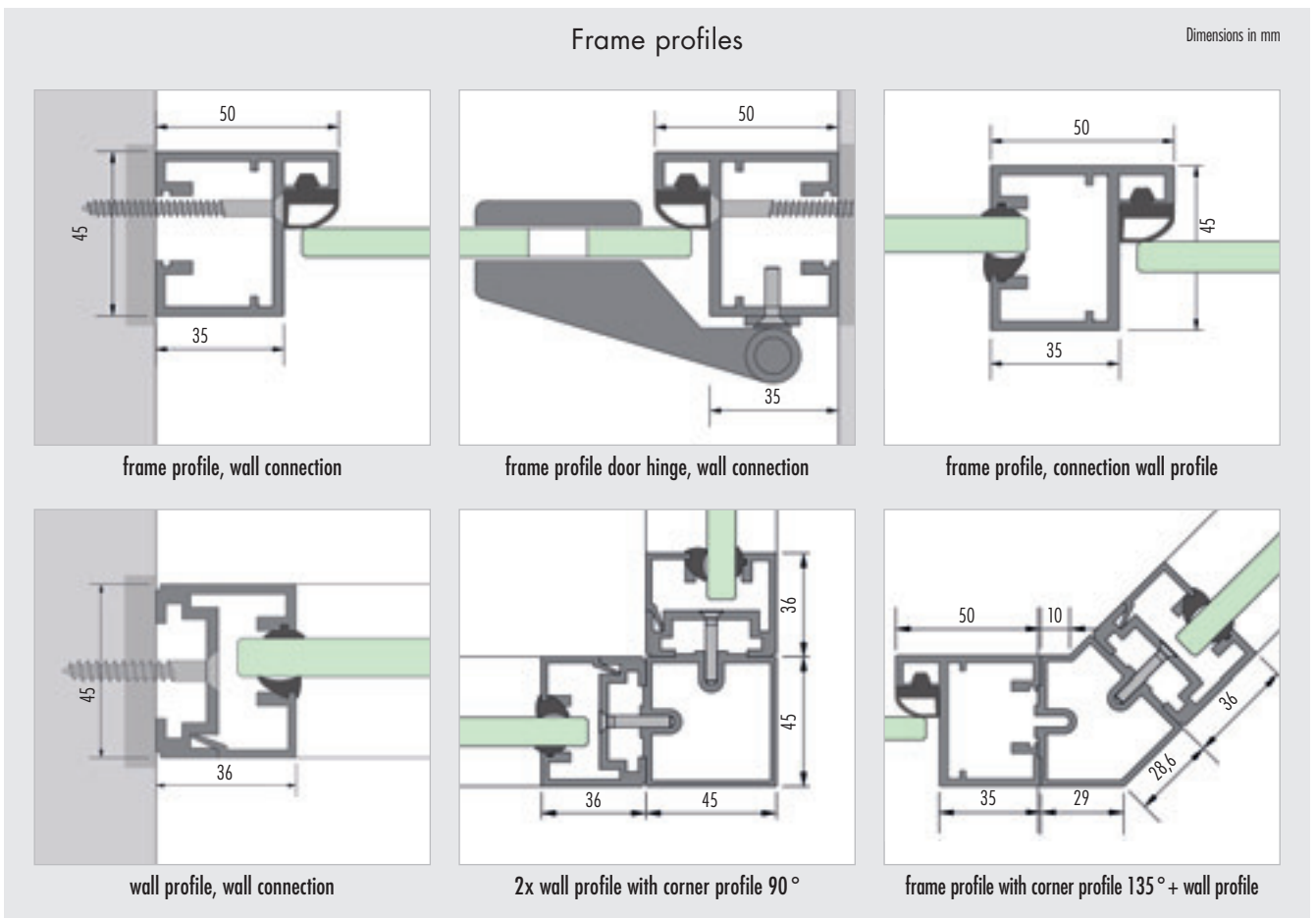
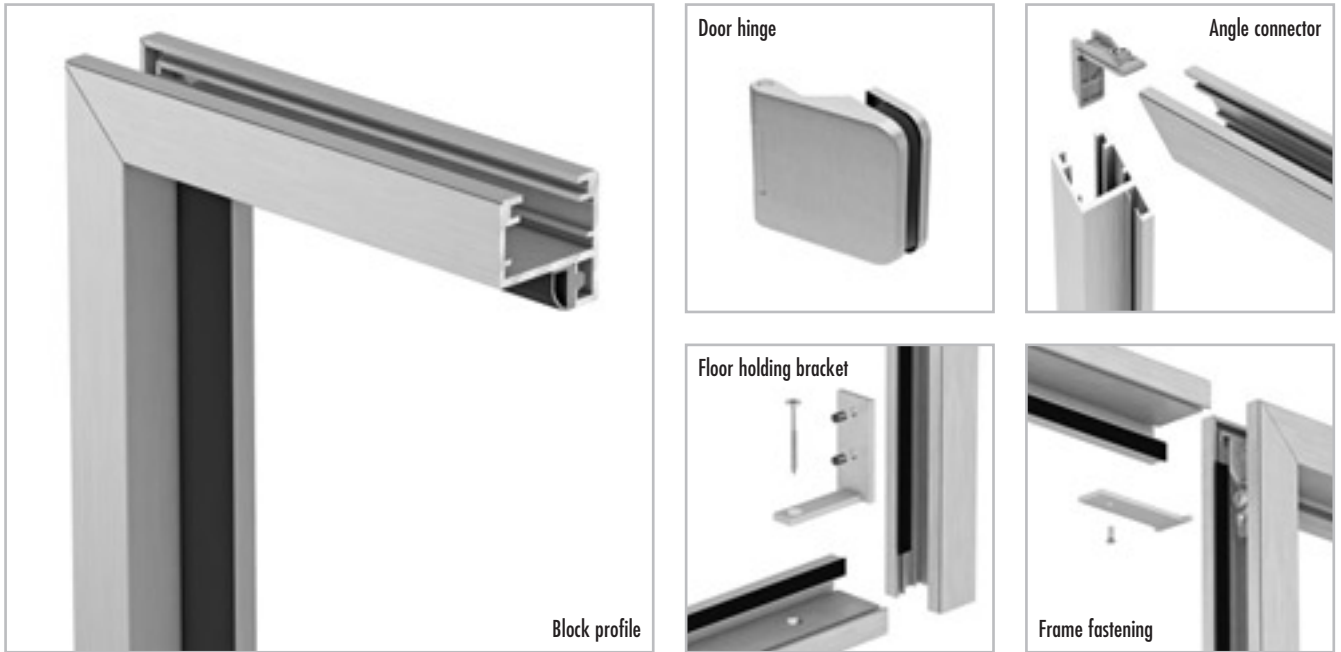


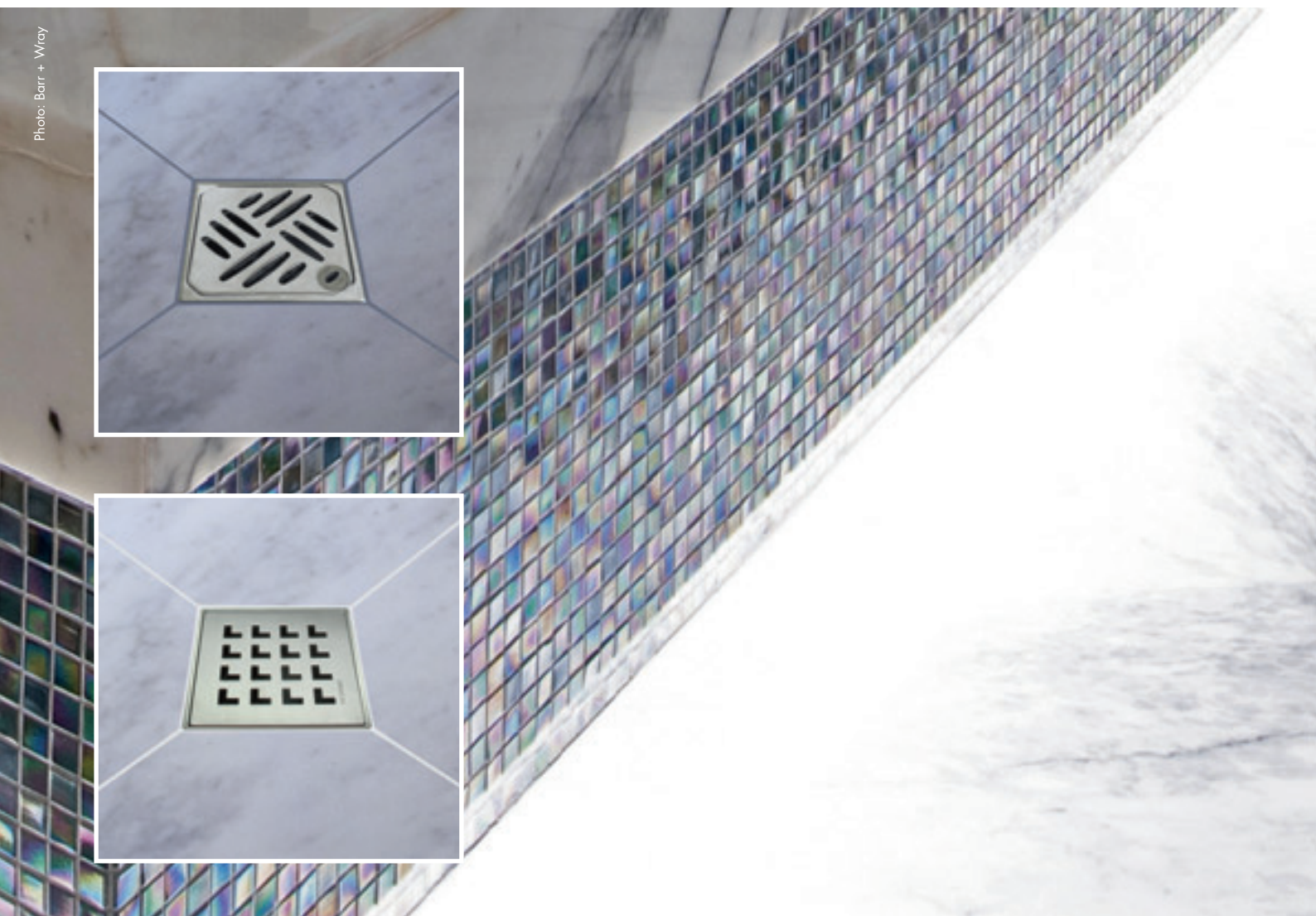
Profile construction



Glass elements







Floors

A floor made of hard foam support material creates the perfect substrate for tiles and you can thus adapt them optically to the design of the room. LUX ELEMENTS manufactures floors in the wet area with point and linear drainage variants. If you opt for point drainage, you can choose between six decorative design grates, including a model with a locking system.

The linear drainage also features an attractive design solution that lends itself, for example, to installation in niches: here, the stainless steel channel cover is optically extended to the wall. Of course, you can also choose the classic channel drain with a cover that is tileable on the rear side.

The rule for all variants is: the floors are sealed and have a gradient.



Floor elements and substrate elements

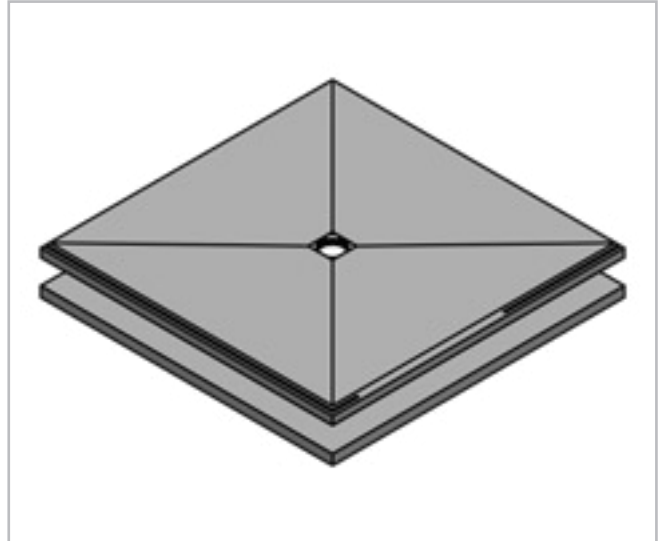
CONCEPT-BO and **CONCEPT-UBO**

Floor elements – CONCEPT-BO

- With gradient (30/45 mm) and factory-fitted seal
- For point or linear drainage
- Matching, customised mounting material available (optional)

Substrate elements – CONCEPT-UBO

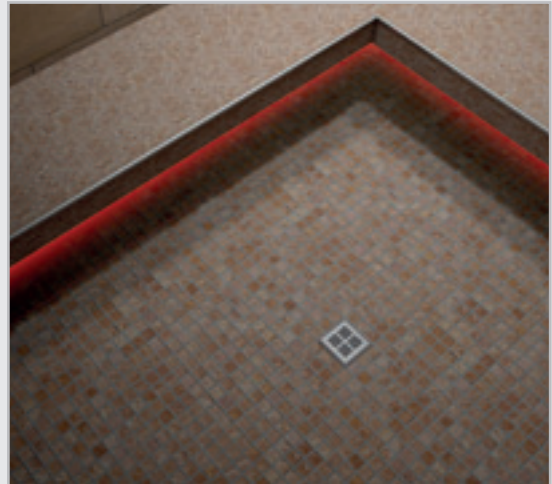
- 55 mm thick



Point drainage / Linear drainage

Point drainage – **TUB**

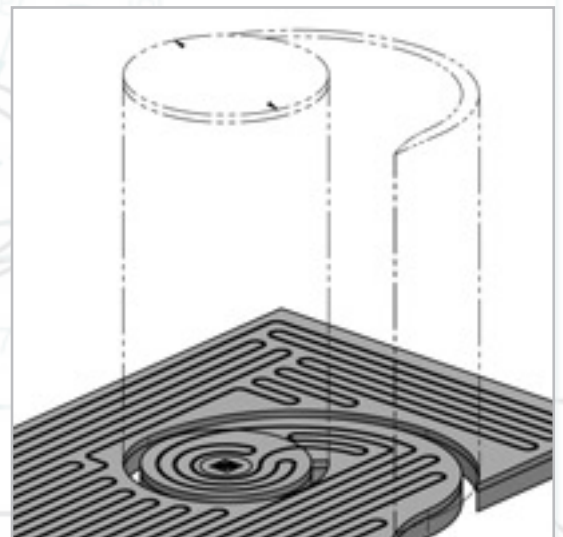
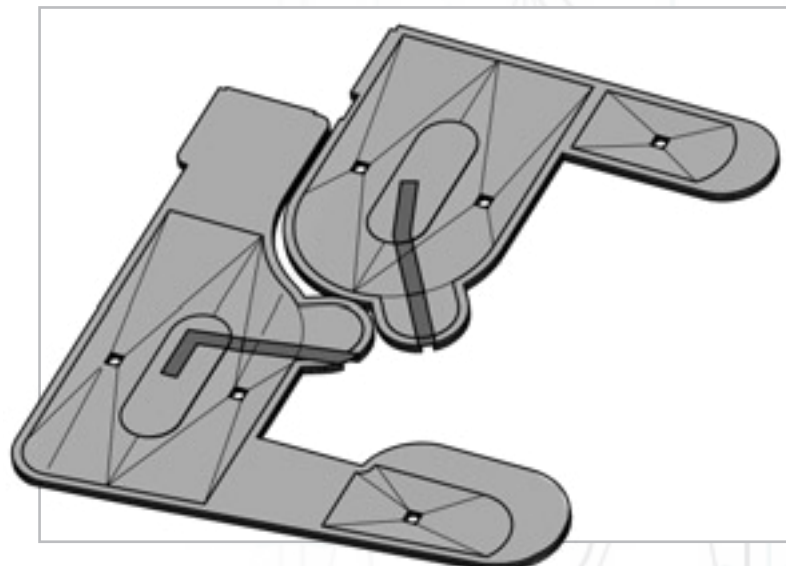
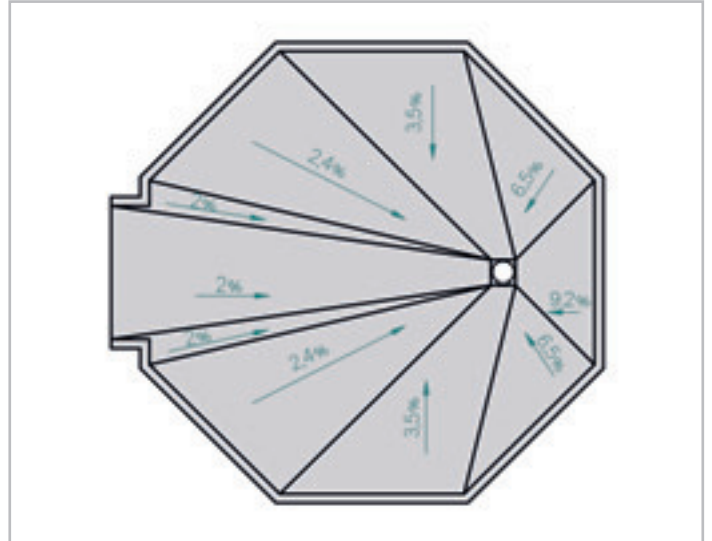
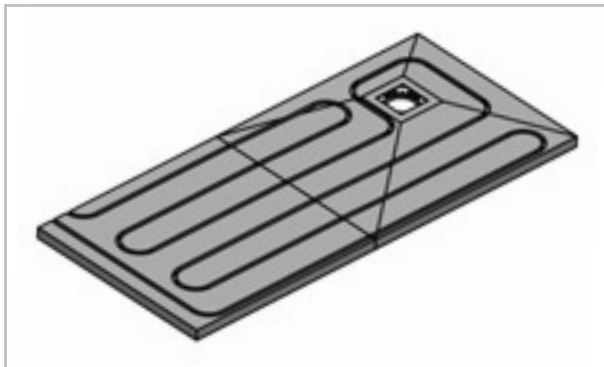
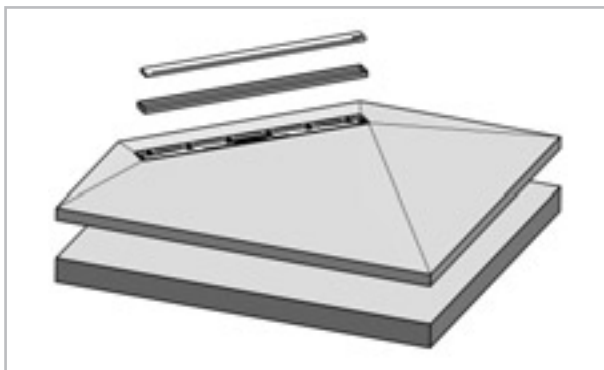
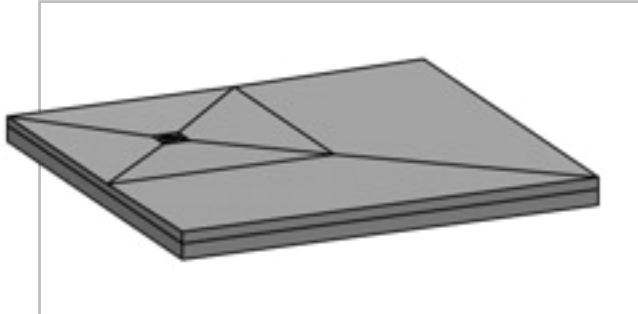
- Integrated and sealed floor drain support frame
- For barrier-free construction
- Secure click system for fastening the drain connection fitting
- Second drainage level
- Floor drain systems and accessories for point drainage see page 26/27



Linear drainage – **TUB-LINE**

- Integrated and sealed floor channel drain
- Reversible channel cover rail offers two design options
- Clean tiling with tiling aid
- Height-adjustable for optimum adaptation to covering thickness
- For barrier-free construction
- Secure click system for fastening the drain connection fitting
- Second drainage level
- Floor drain systems and accessories for linear drainage see page 26/27





Floor drain systems and accessories

TUB-BA / TUB-LINE-BA

We offer drainage technology and accessories for point drainage and linear drainage ...

Point drainage

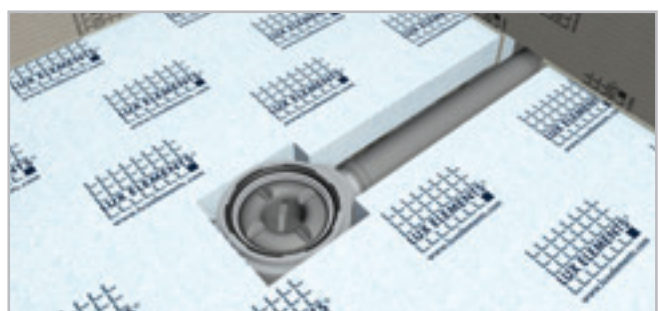
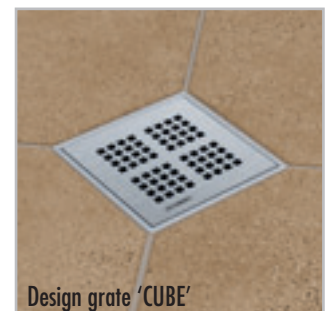
TUB combinable floor drain systems

- Floor drain support vertical or horizontal – TUB-BA-...
- Grate fitting frame with standard grate – TUB-RA-S
- Grate fitting frame with design grate – TUB-RA-D...
- Drainage capacity in accordance with DIN EN 1253 [l /s]:
 - Standard odour trap DN 50 vertical
 - TUB-BA-S with standard grate: 1,7 l /s
 - TUB-BA-S 100 with standard grate: 1,2 l /s
 - Standard odour trap DN 50 horizontal
 - TUB-BA-W with standard grate: 1,0 l /s

Point drainage

TUB complete floor drain systems

- Set consisting of standard grate with grate fitting frame and vertical or horizontal floor drain support
- Simple to mount
- Drainage capacity in accordance with DIN EN 1253 [l /s]:
 - Standard odour trap DN 50 vertical
 - TUB-BAS-S standard grate: 1,7 l /s
 - TUB-BAS-S 100 standard grate: 1,2 l /s
 - Standard odour trap DN 50 horizontal
 - TUB-BAW-S standard grate: 1,0 l /s



Linear drainage

TUB-LINE drain technology

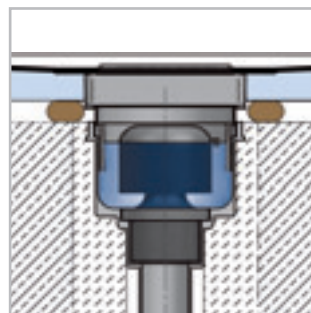
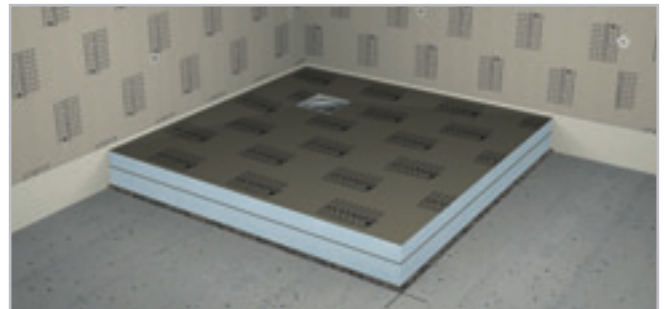
- Reversible channel cover rail offers two design options (brushed stainless steel and tileable rear side)
- Clean tiling with tiling aid, height adjustable from 5 – 17 mm using height adapter
- Drainage capacity in accordance with DIN EN 1253 [l /s]:
 - vertical (TUB-LINE BA-S): 0,8 l/s
 - horizontal (TUB-LINE BA-W 22): 0,8 l/s
- Extended cover rail – optical extension, can be shortened, exact adjustment from wall to wall in a niche possible



Floor drain systems accessories

Suitable for point drainage / linear drainage

- Impact sound insulating mat for the reduction of noise nuisance caused by running water, e.g. in bathrooms of apartment blocks, nursing homes and hotels
- Fire protection set for more safety
- Conduit seal for core drill hole in diameter 160 mm, with fire protection in conjunction with fire protection set
- Odour, foam and vermin barrier, can also be retrofitted to existing installed drains
- Hair trap, removable
- Reducer DN 50 to DN 40
- Adapter DN 50 to British Standard
- HTK-elbow, DN 50, swivel joint 0–87°



Roofs

The roof shape in a wellness room must meet not only visual but also functional requirements. In a steam bath, for example, care must be taken in the planning to ensure that condensed water can run off.

In addition, the roof has an effect on the room atmosphere. Rounded roof shapes such as dome roofs or barrel vaults are used to create a generous ambience. Those who favour straight lines will choose a monopitch or flat roof.

LUX ELEMENTS is able to manufacture all shapes. Lighting technology can also easily be integrated into the hard foam support elements.

The following design variants are available:

- Flat roof
- Roof with dome
- Vaulted roof
- Roof with cross vault

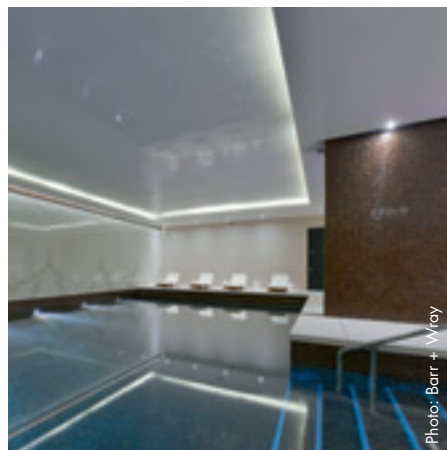
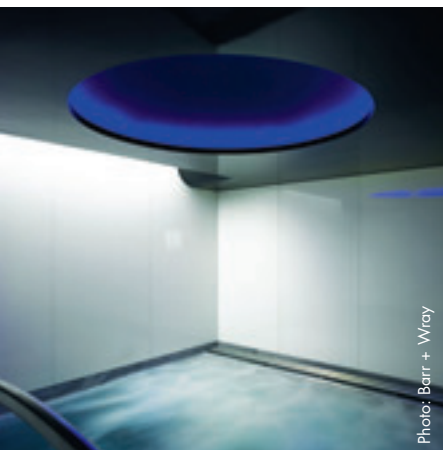




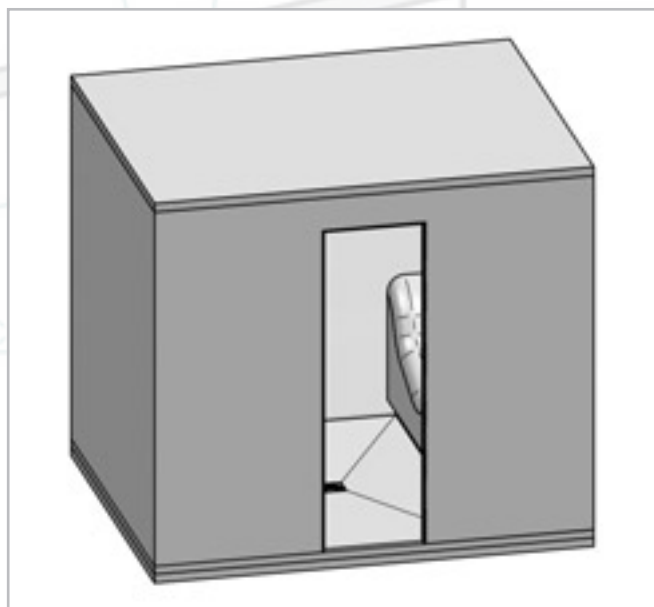
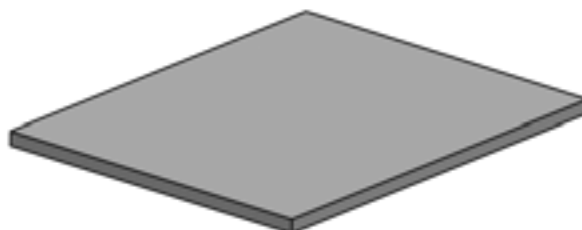
Photo: Barr + Wray

Flat roof

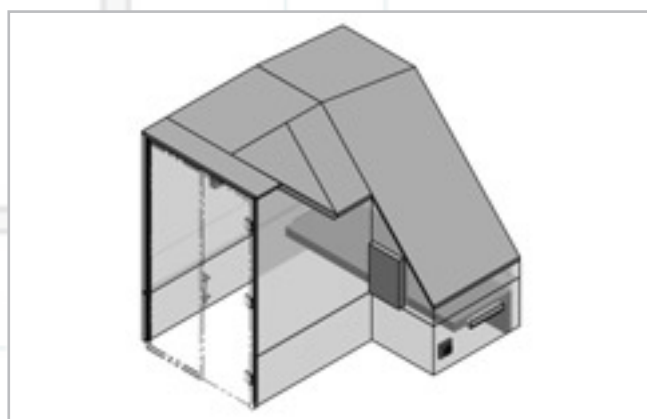
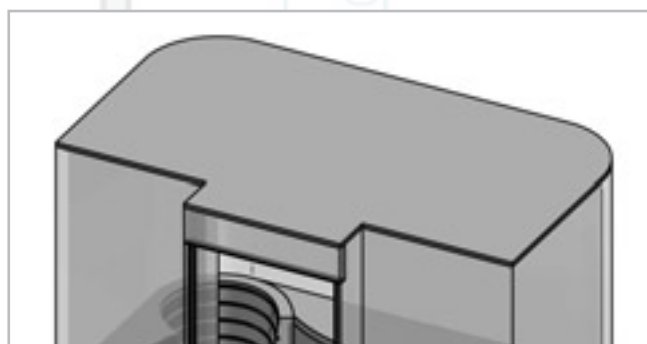
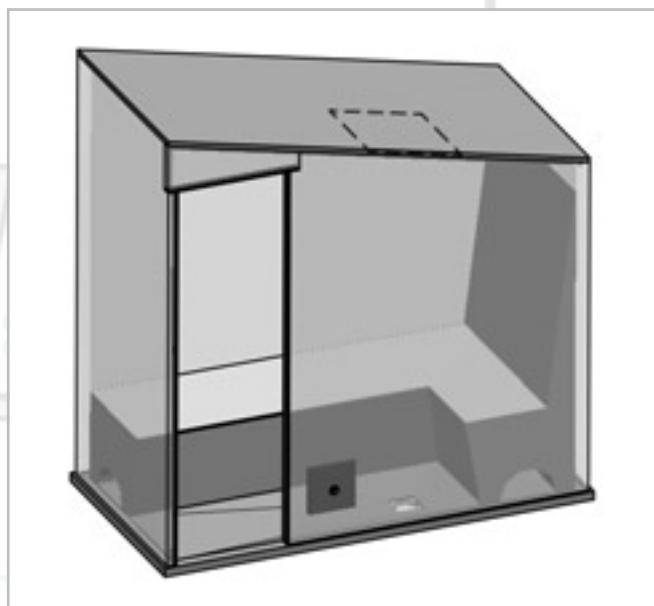
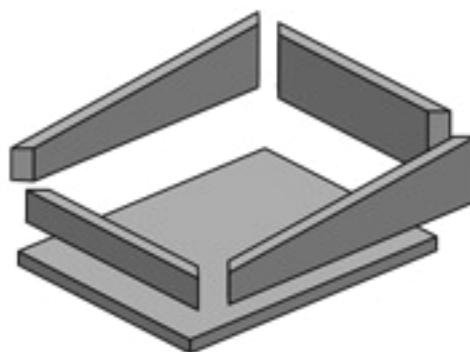
CONCEPT-DA

- Standard thickness 50 or 80 mm, fits the wall
- Substrate preparation possible, e.g. for the screwed connection of shower heads or suspensions

Simple flat roof shape – CONCEPT-DA-FLAT

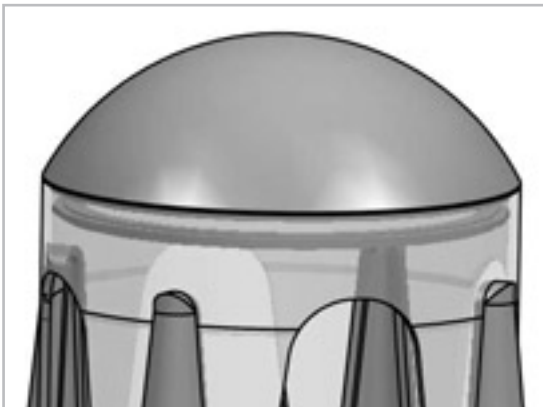
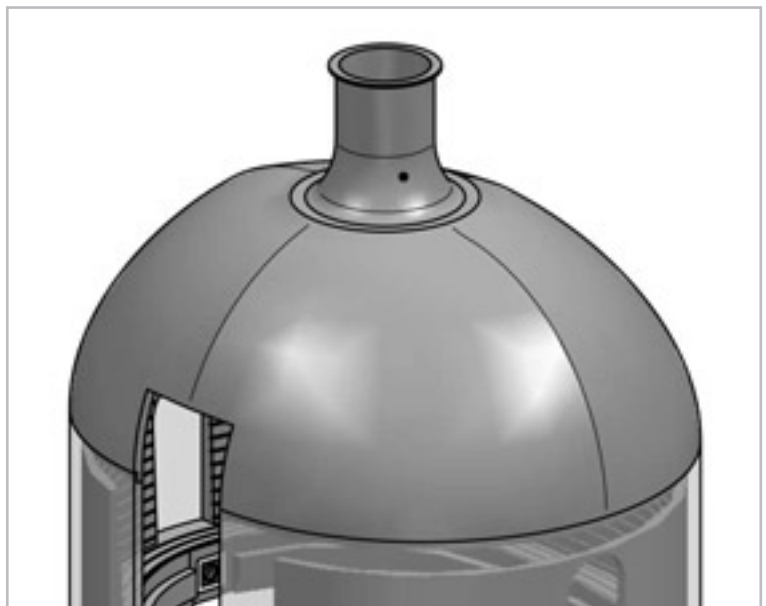
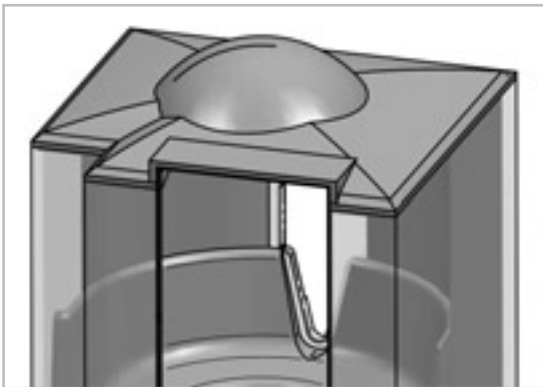
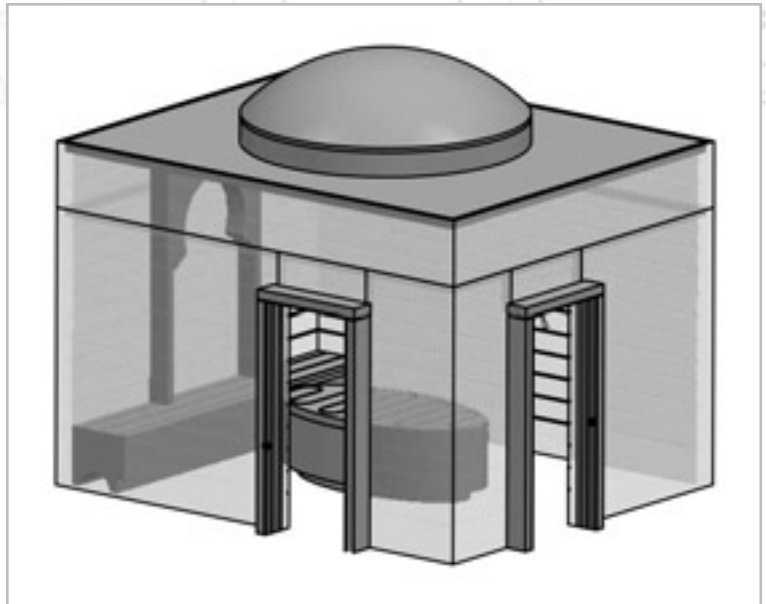
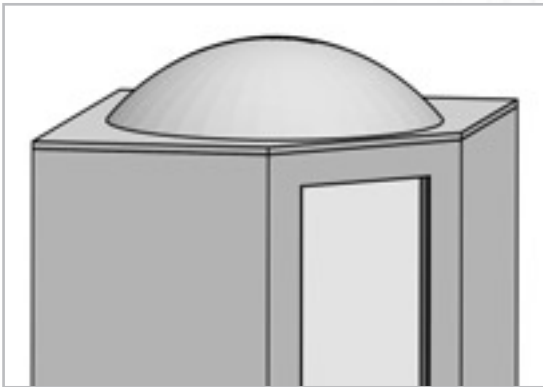
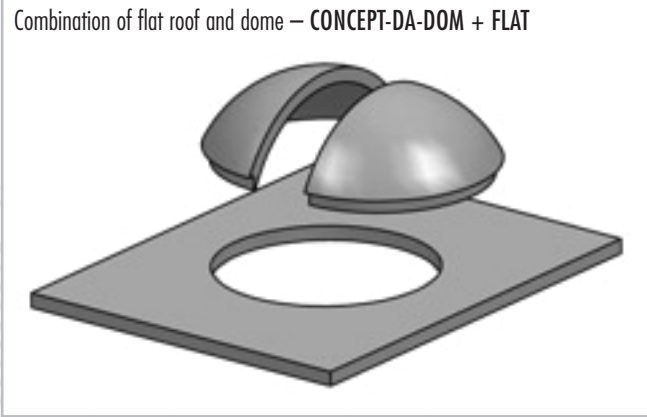


Monopitch roof with panel – CONCEPT-DA-MONO



Roof with dome
CONCEPT-DA

- Standard thickness 50 or 80 mm, fits the wall
- Substrate preparation possible, e.g. for the screwed connection of shower heads or suspensions

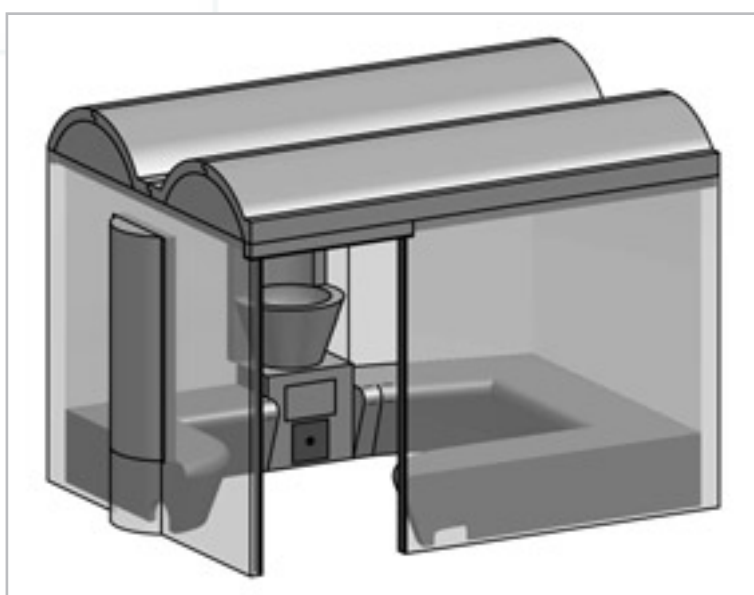
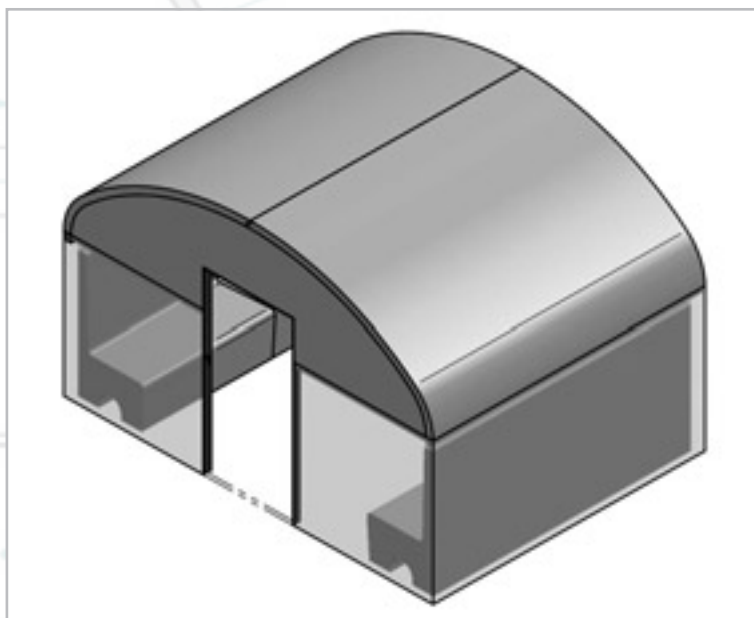
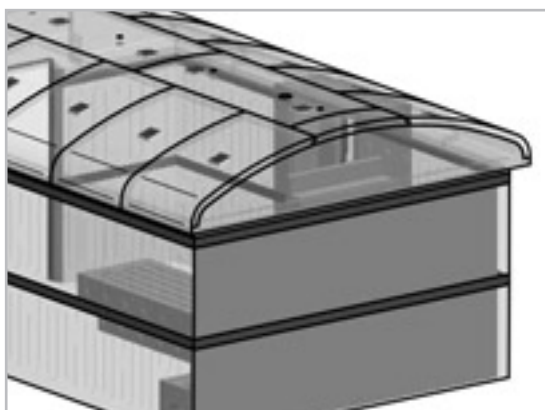
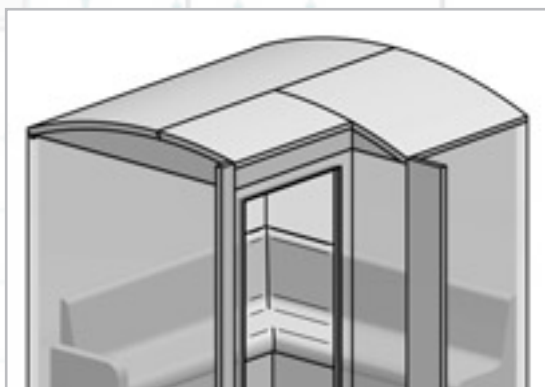
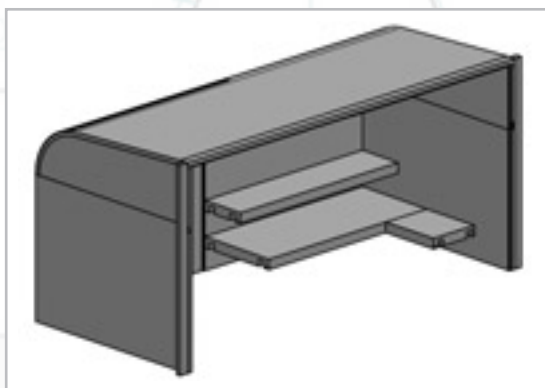
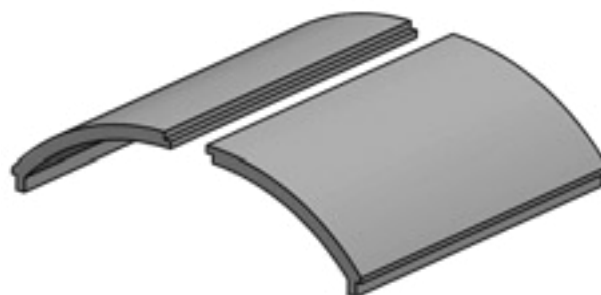


Vaulted roof

CONCEPT-DA

- Standard thickness 50 or 80 mm, fits the wall
- Substrate preparation possible, e.g. for the screwed connection of shower heads or suspensions

Barrel roof design – CONCEPT-DA-BARREL

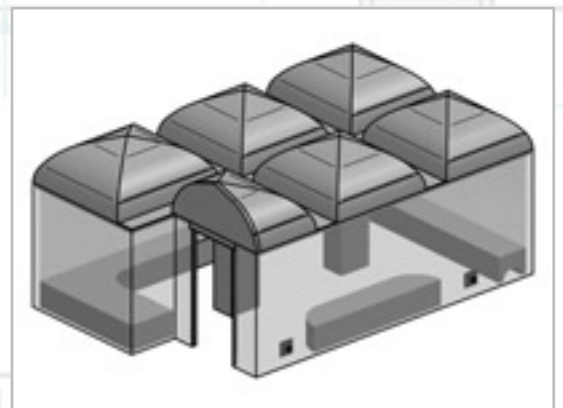
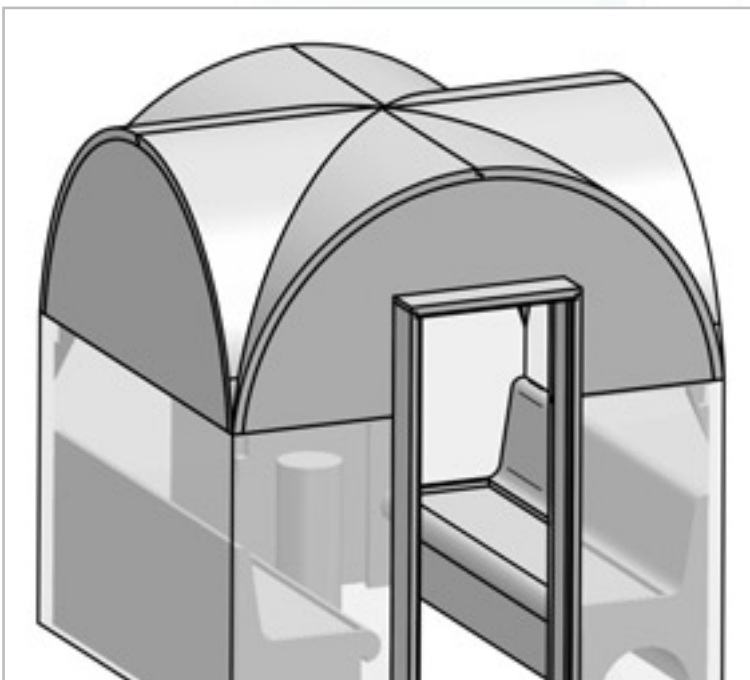
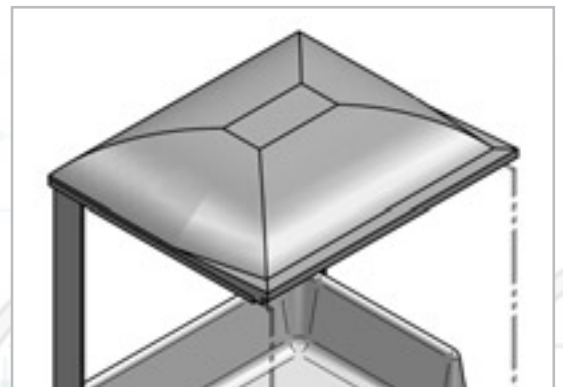
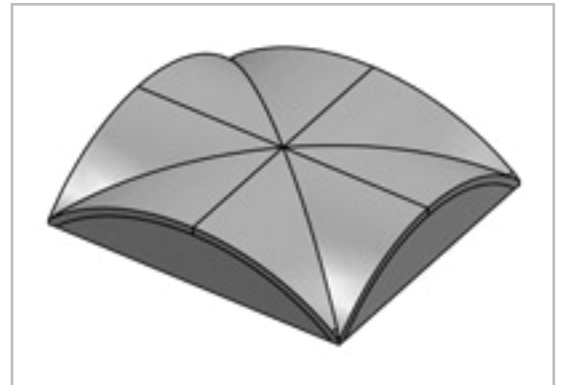
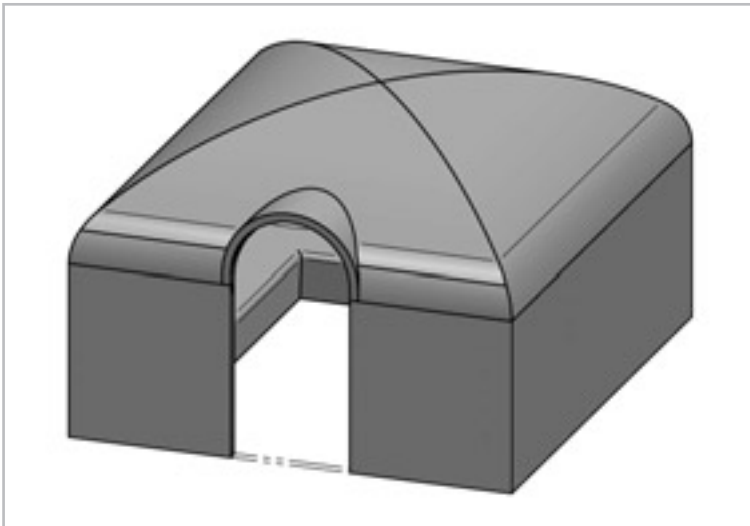


Roof with cross vault

CONCEPT-DA

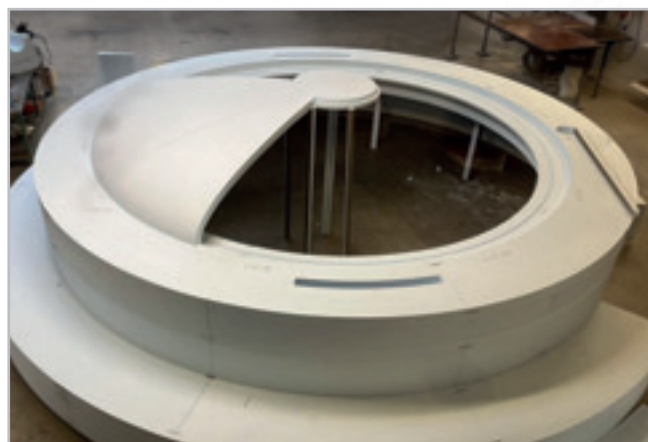
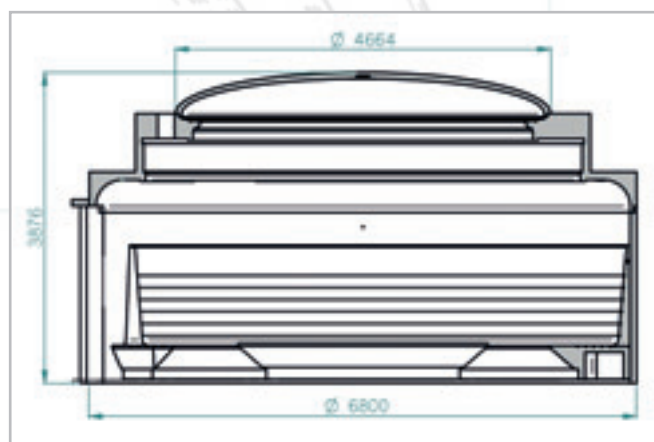
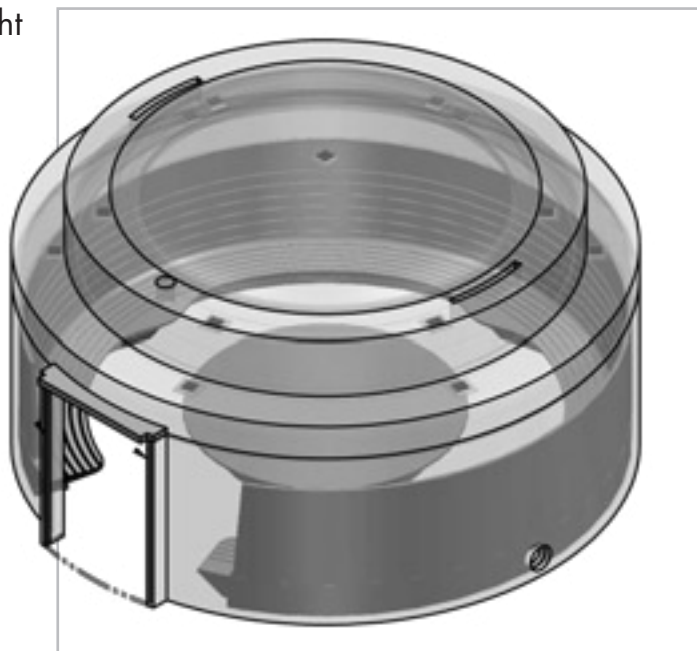
- Standard thickness 50 or 80 mm, fits the wall
- Substrate preparation possible, e.g. for the screwed connection of shower heads or suspensions

Cross-vault roof shape – CONCEPT-DA-CROSS



Special shapes / Ceiling suspension / Light **CONCEPT-DA**

- Special shapes according to customer requirements
- Suspension points for ceiling suspensions
- Light channels for the installation of light ropes



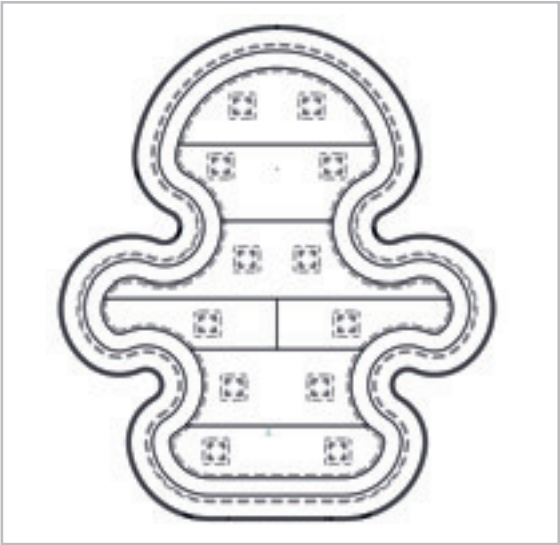
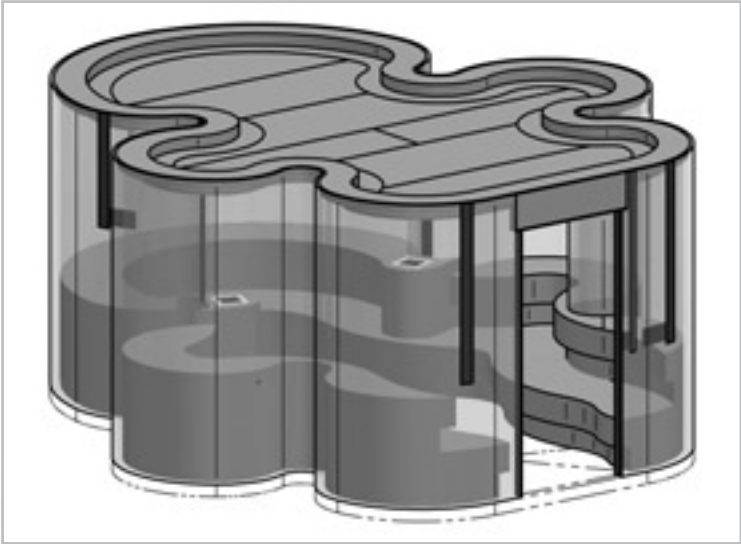




Photo: Berr + Vroy

Seat variants

Comfortable seats are indispensable in wellness rooms. LUX ELEMENTS will supply you with seats and benches to match every room or area, even if it is full of nooks and crannies or round.

There is a choice of **different standard seat shapes** with optional rounding and end modules as well as armrests. Alternatively, **individually planned seats and benches** can also be manufactured. All the products can be fitted with heating systems on request (see page 55).

SEAT VARIANTS – INDIVIDUAL ROOM CONSTRUCTIONS



Photo: Barr + Wray



Photo: Barr + Wray

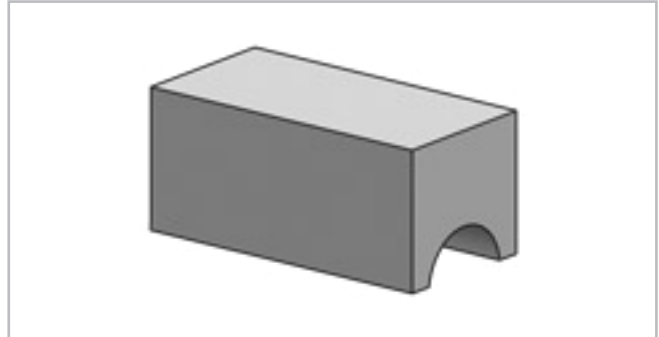


Photo: Sommerhuber

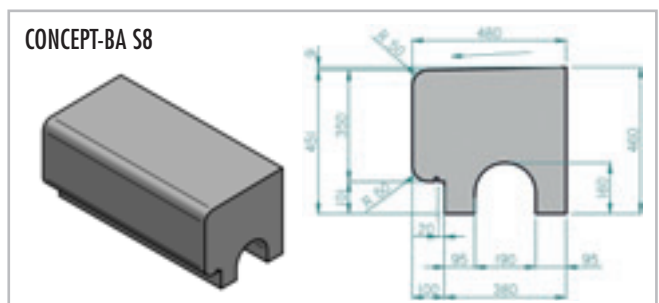
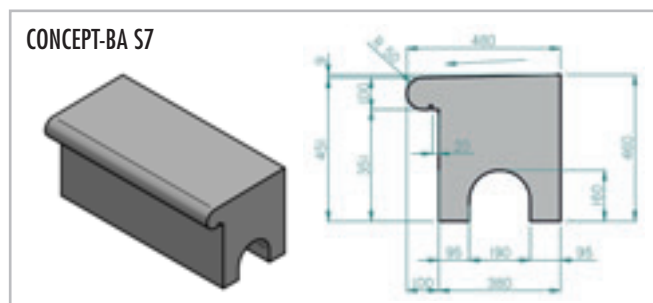
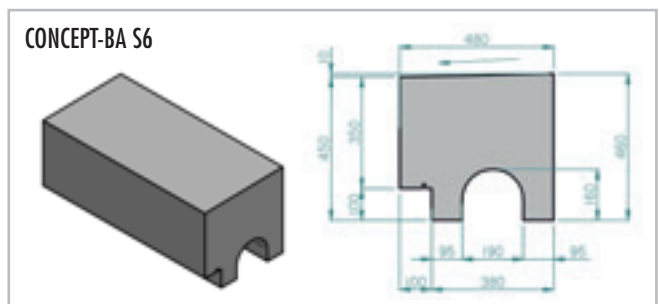
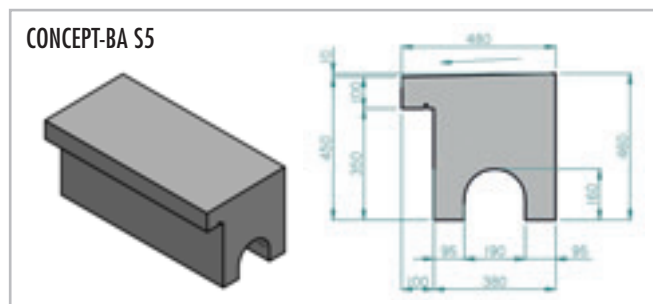
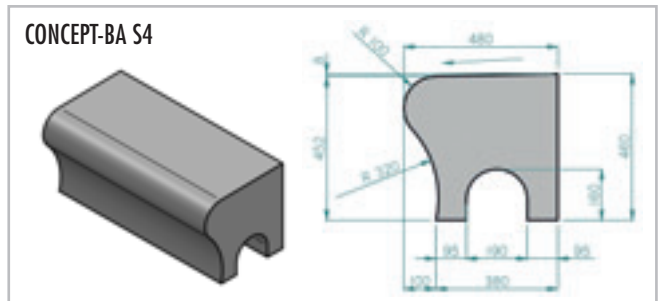
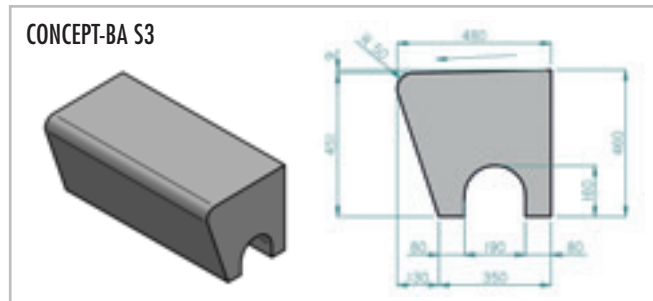
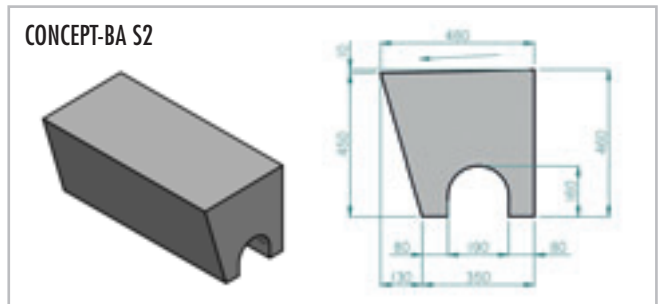
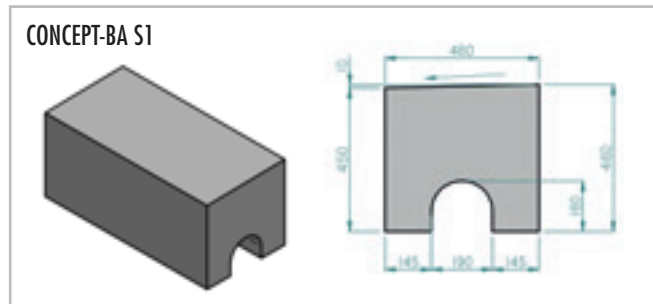
Bench seats without backrest

CONCEPT-BA S

- Optional extensions, e.g. corner solution as mitre or rounding, seat end as rounded element, closed seat end or armrest see page 42
- Optional heating and lighting see page 55/56

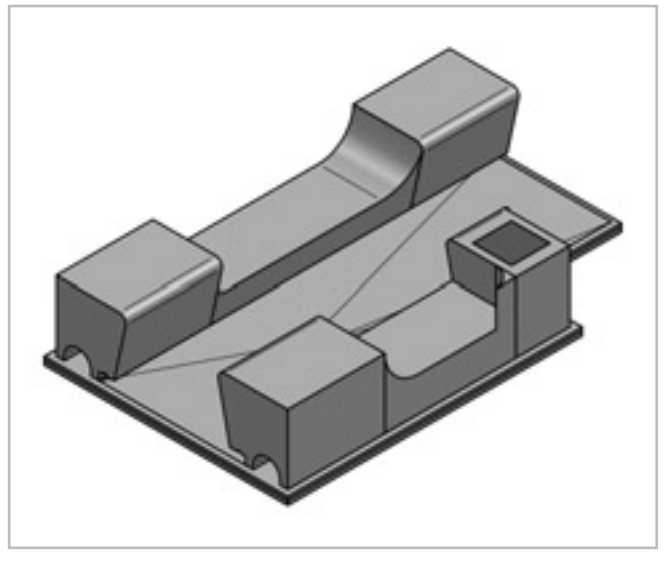
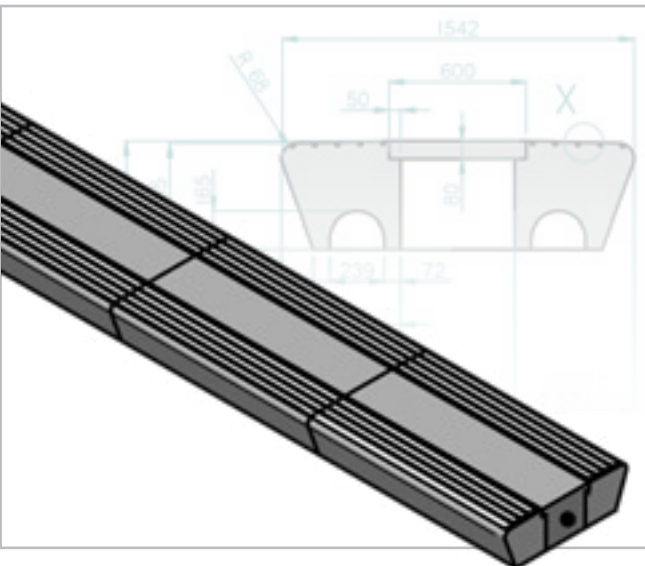
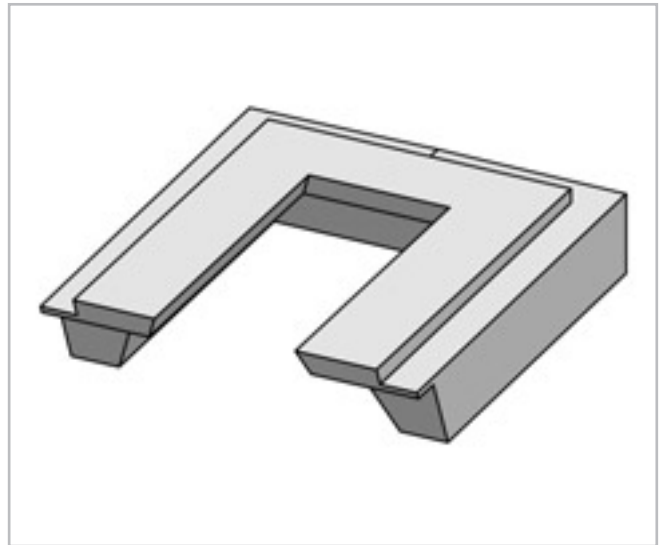
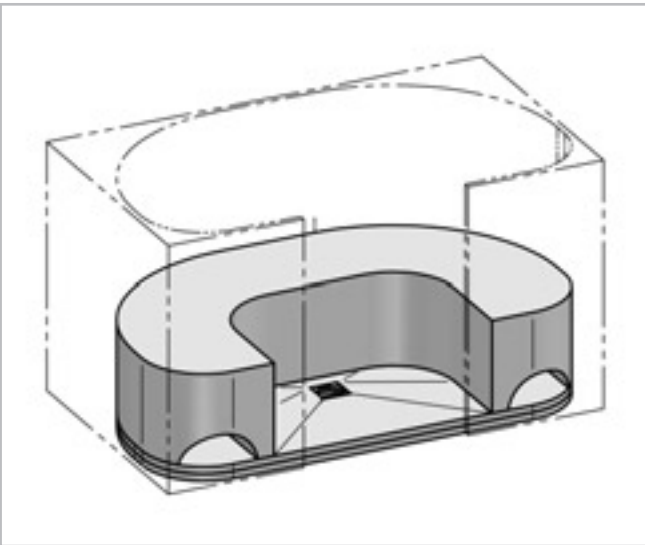
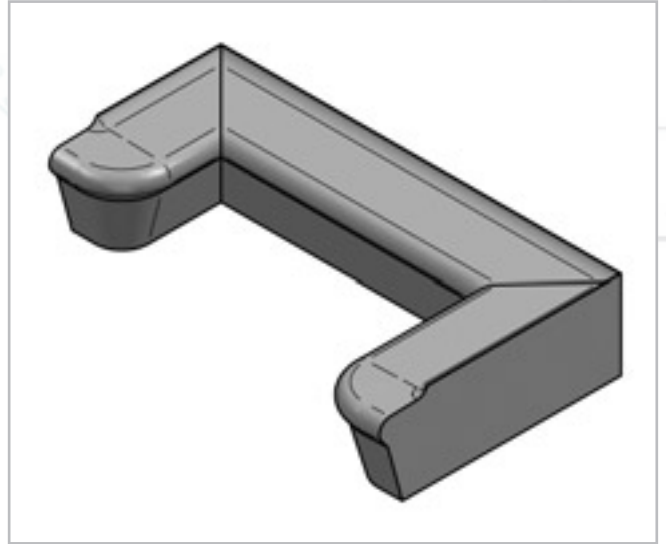
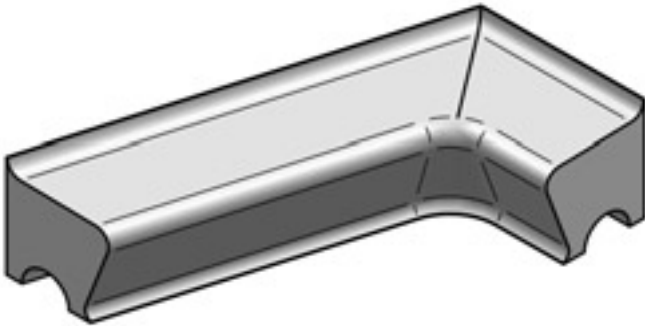


Design variants:



SEAT VARIANTS – INDIVIDUAL ROOM CONSTRUCTIONS

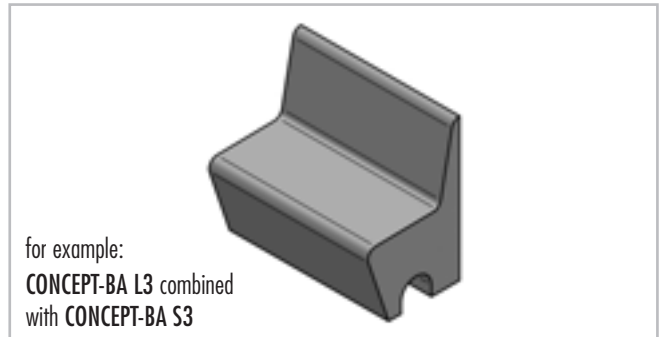
- **Special shapes** – alternatively we can also realise your individual planning as a customised product



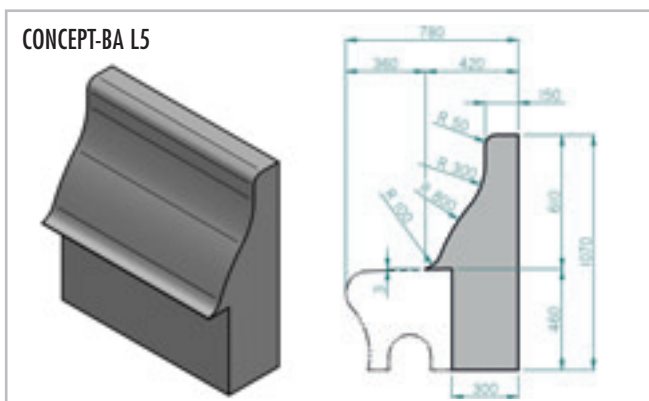
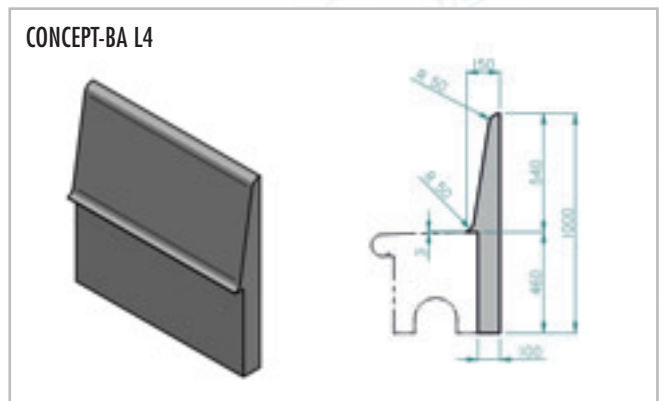
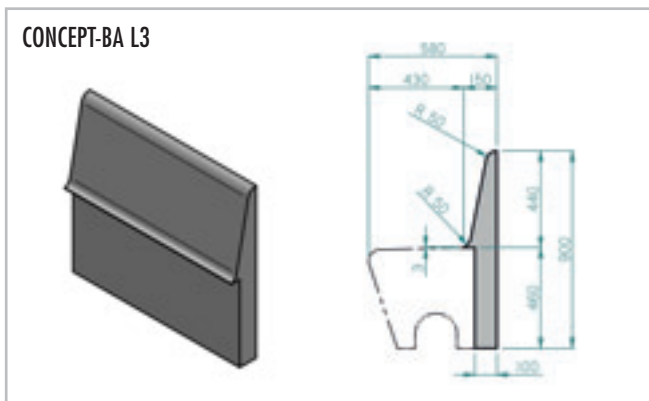
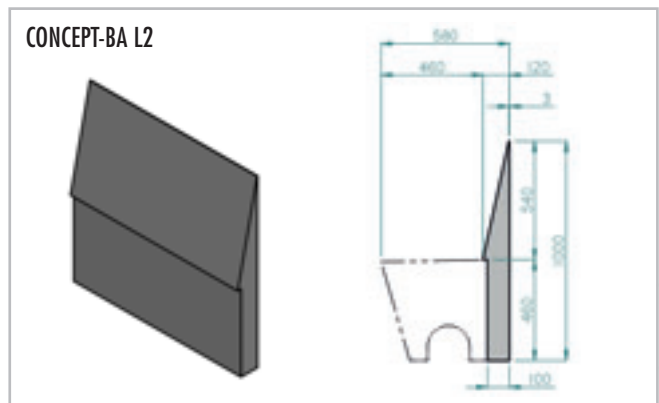
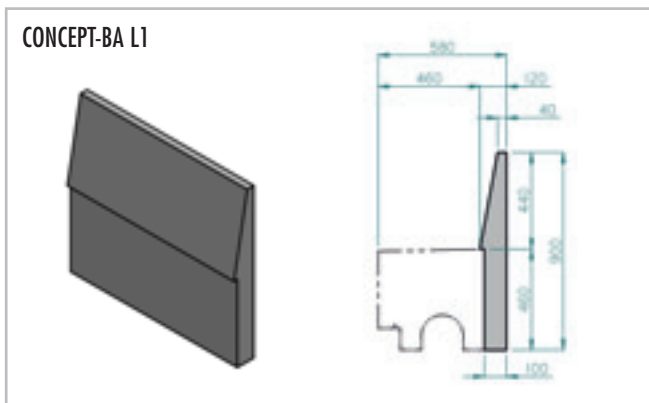
Bench seats with backrest

CONCEPT-BA L

- Combination of backrest CONCEPT-BA LL1–L5 with seat bench variant CONCEPT-BA S1–S8 (see page 38/39), made of solid material

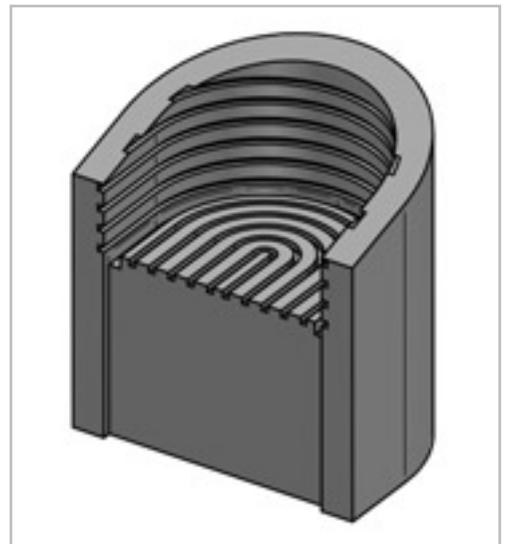
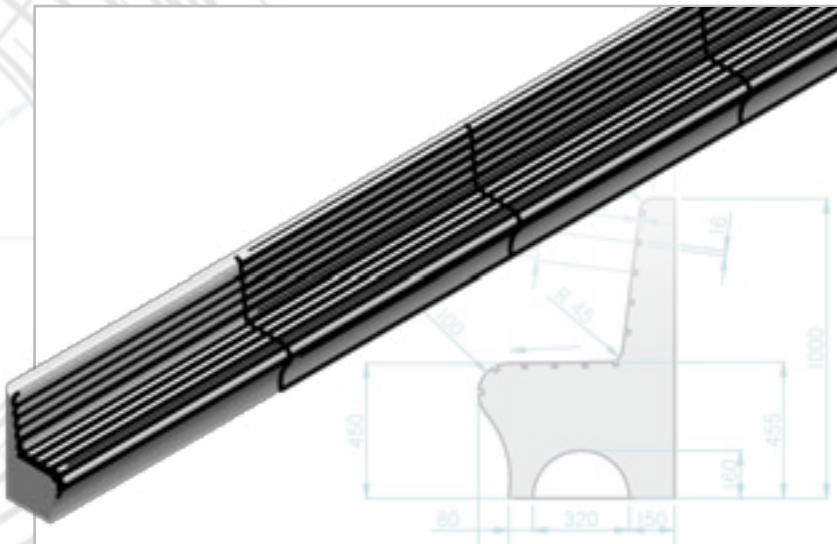
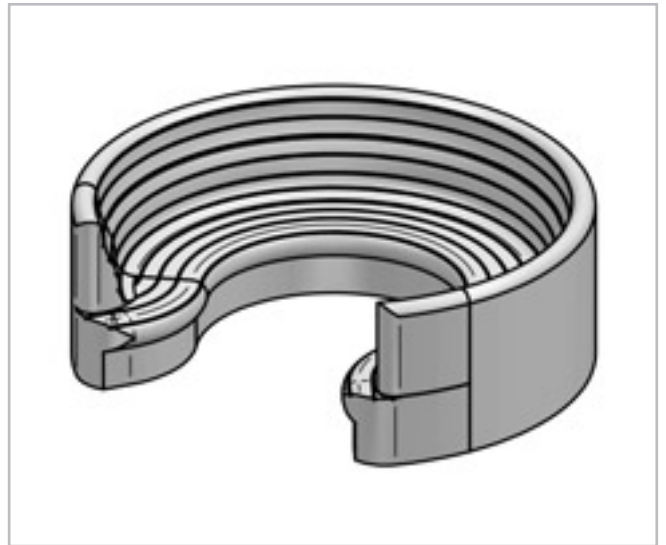
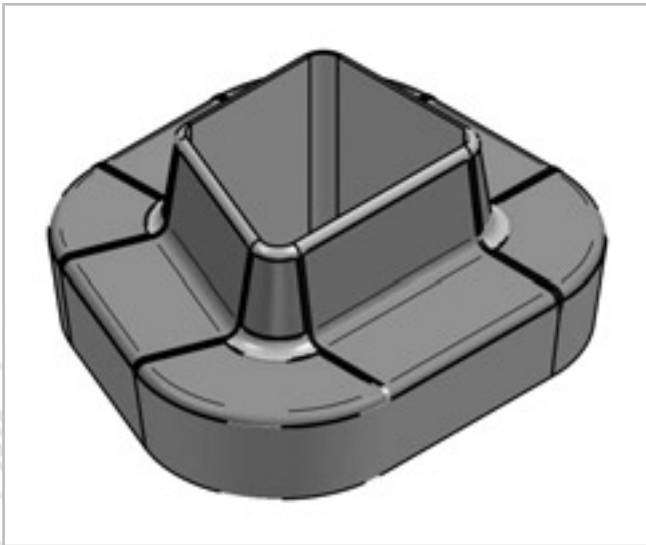
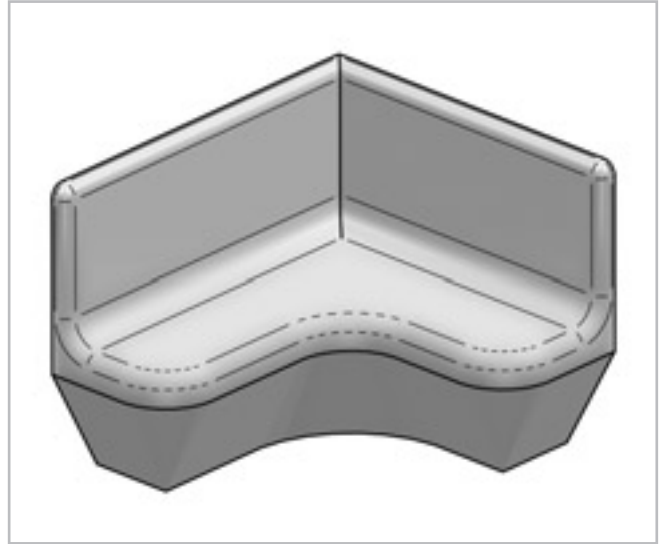
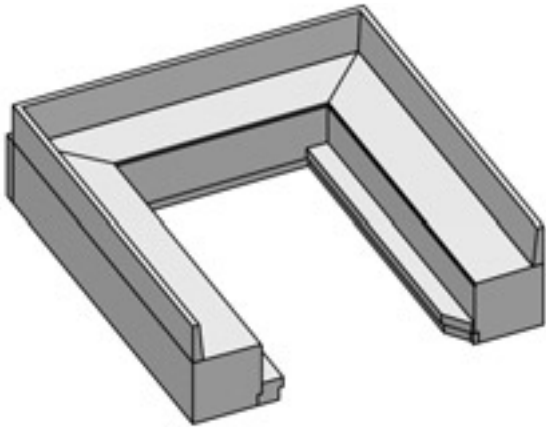


Design variants:



The bench seat variant and backrest can be freely combined.
 The combinations shown are examples.

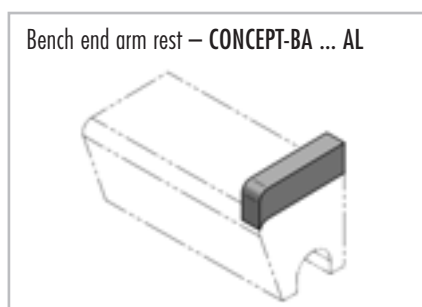
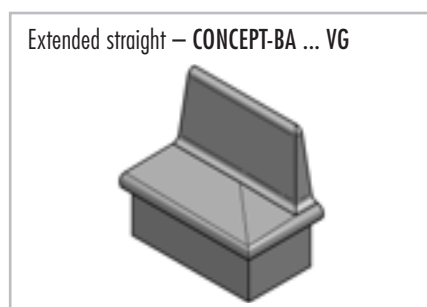
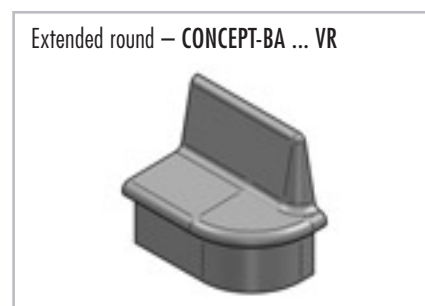
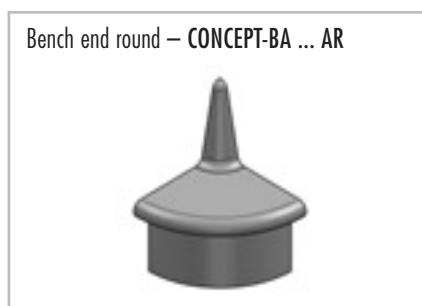
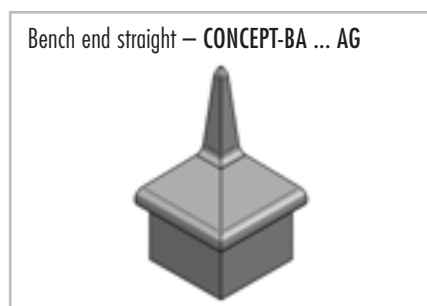
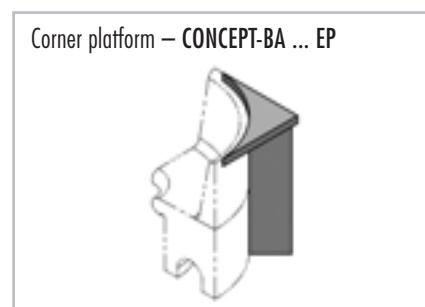
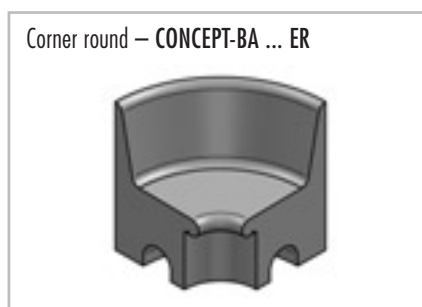
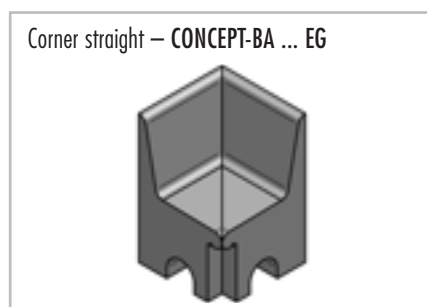
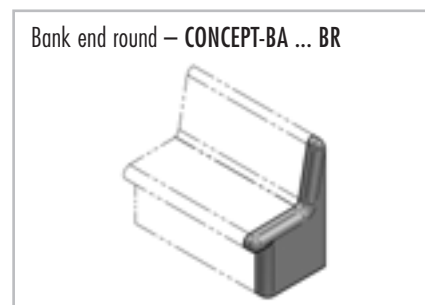
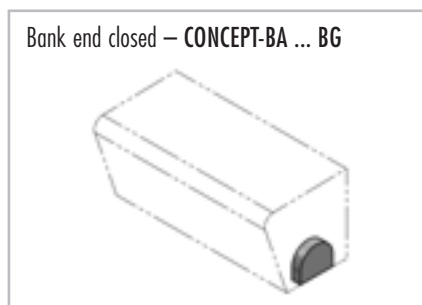
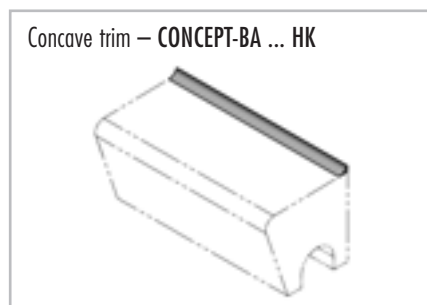
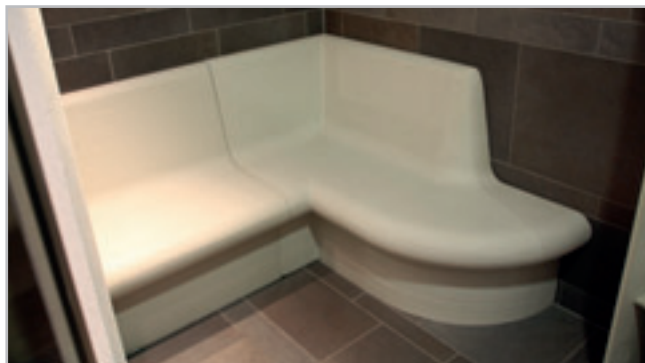
- **Special shapes** – alternatively we can also realise your individual planning as a customised product



Extensions for bench seats

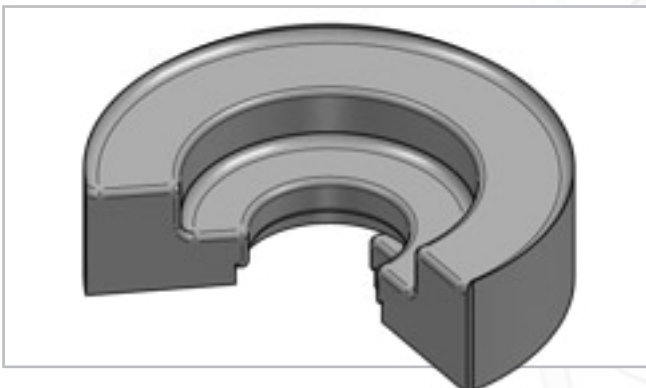
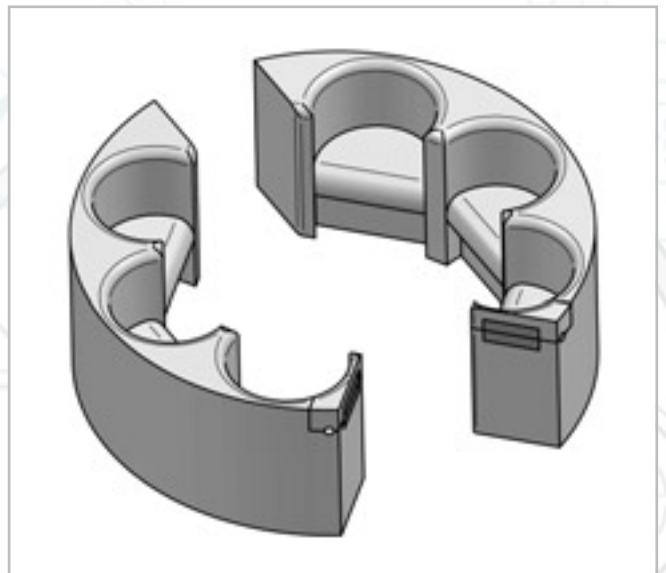
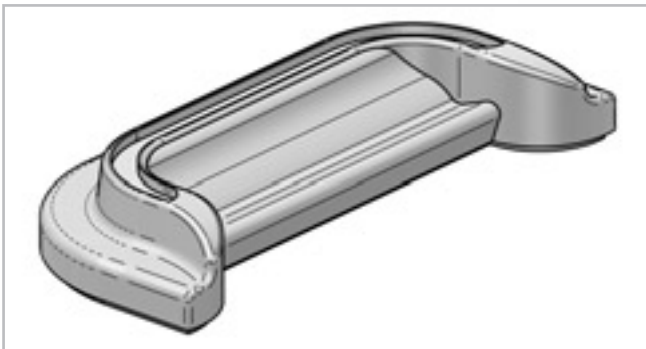
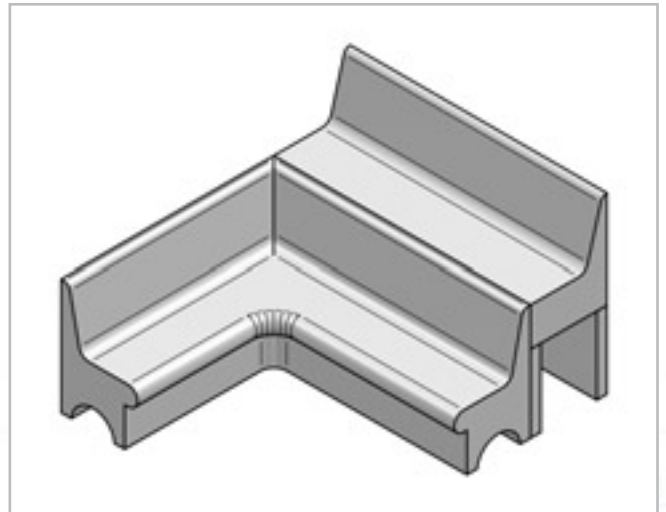
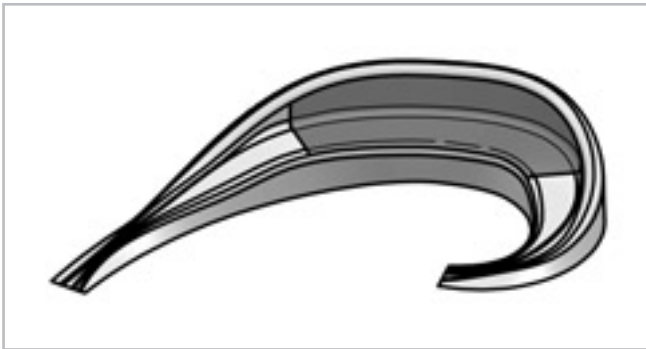
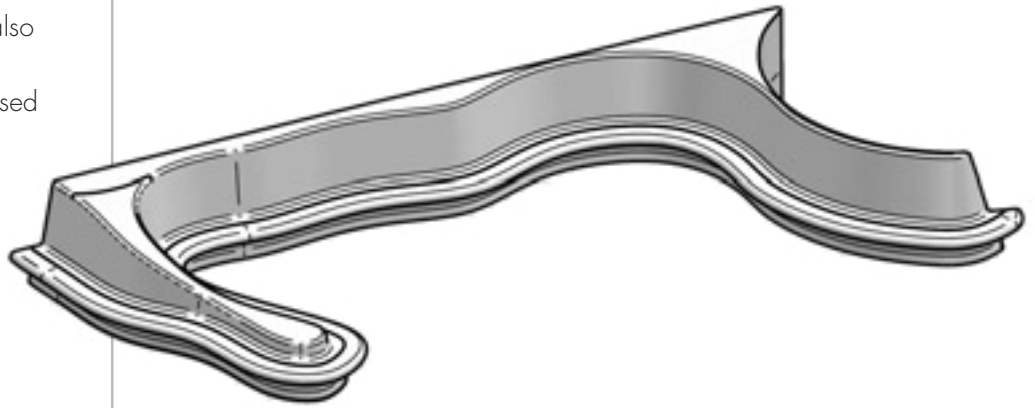
CONCEPT-BA ...

- Optional extensions for bench seats
- Heating and lighting see page 55/56



Special shapes
CONCEPT-BA

- Alternatively we can also realise your individual planning as a customised product



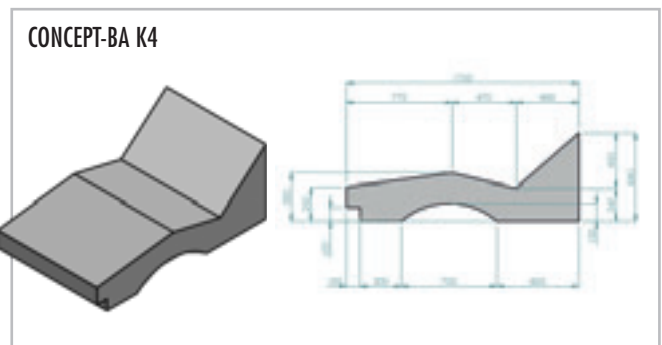
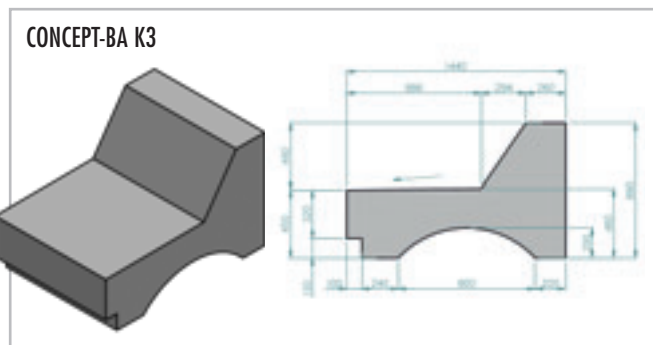
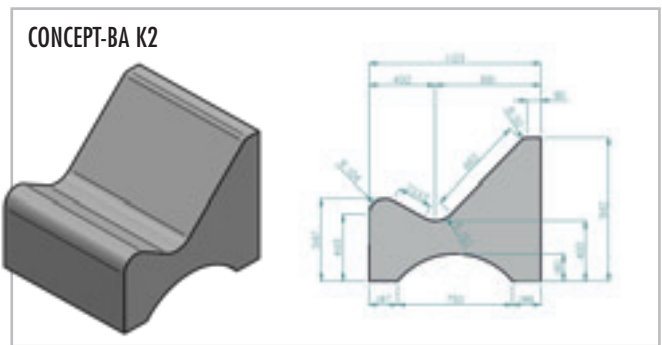
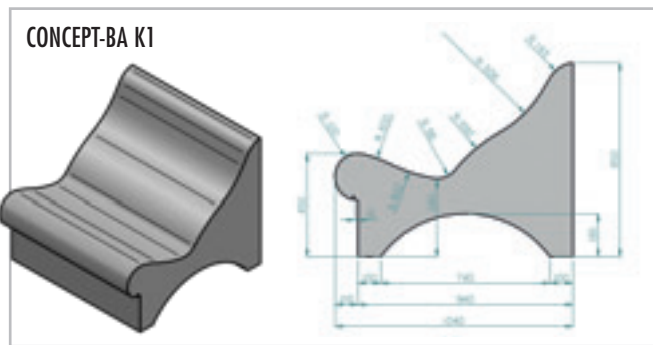
Bench seats with comfort surface

CONCEPT-BA K

- Two drainage variants to choose from*
- Optional extensions, e.g. corner solution as mitre or rounding, seat end as rounded element, closed seat end or armrest see page 42
- Optional heating and lighting see page 55/56



Design variants:



■ **Drainage pipe**



CONCEPT-BA K1 WR



CONCEPT-BA K2 WR



CONCEPT-BA K4 WR

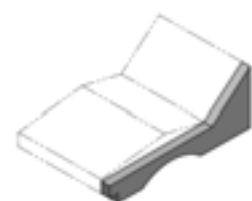
■ **Lateral drainage**
(width 100 mm)



CONCEPT-BA K1 WS



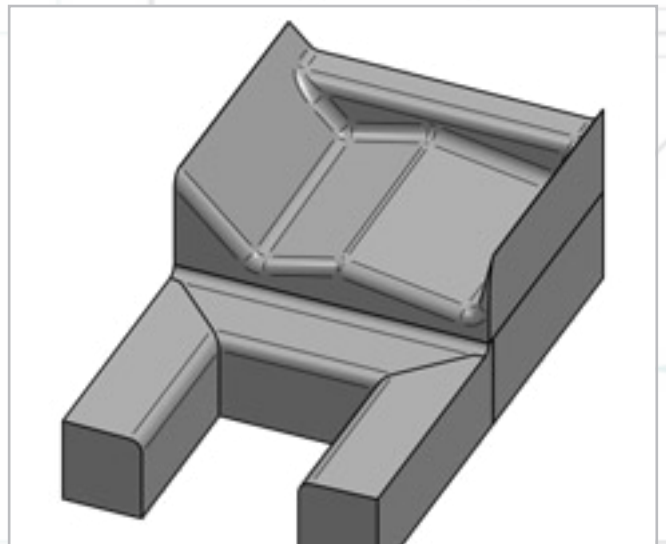
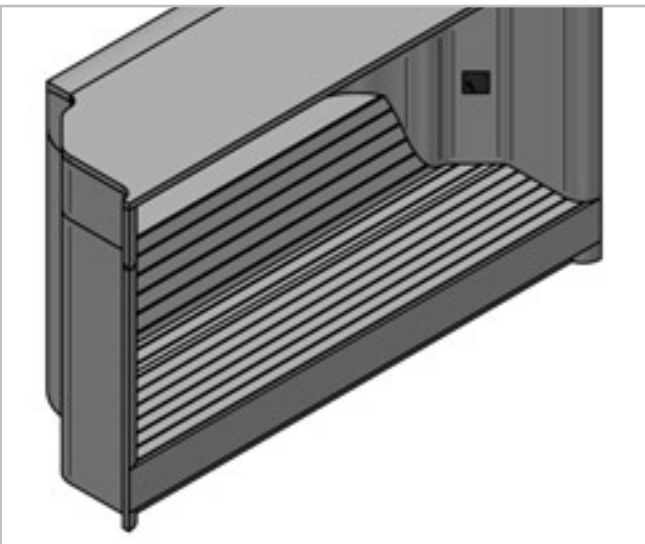
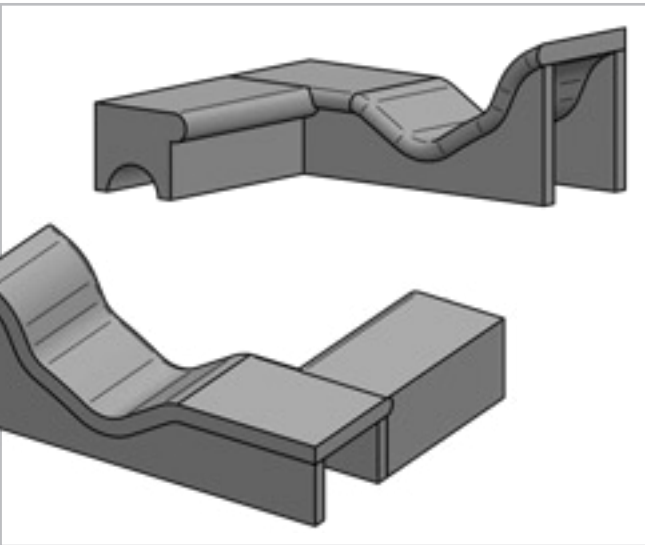
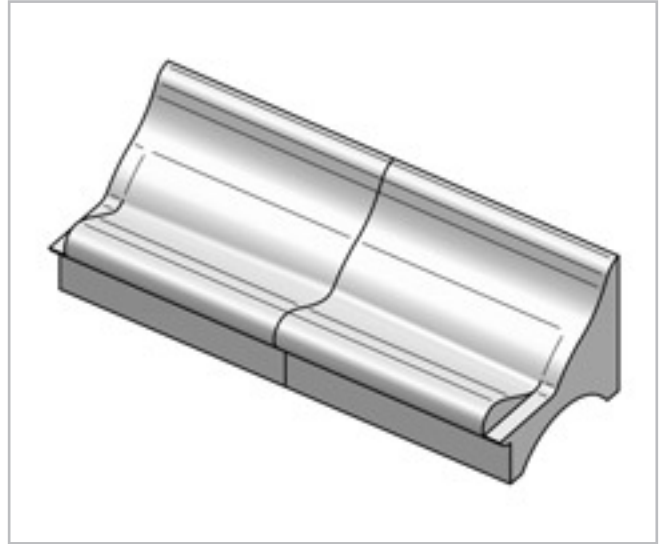
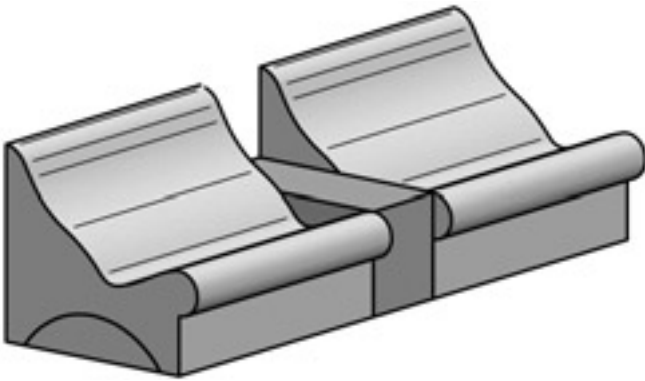
CONCEPT-BA K2 WS



CONCEPT-BA K4 WS

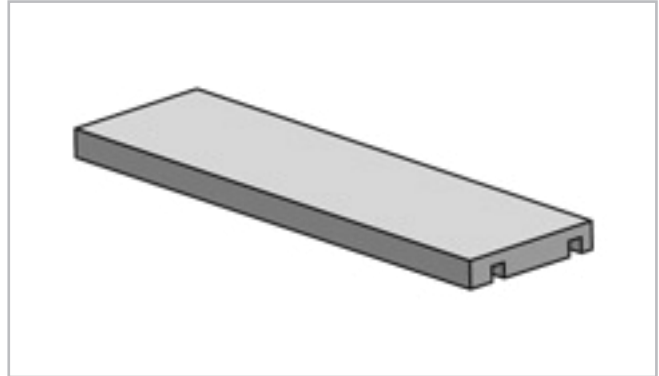
* The drainage solutions are optional, as they are only used in the steam bath area. This is not necessary in the pool / in dry areas.

- **Special shapes** – alternatively we can also realise your individual planning as a customised product

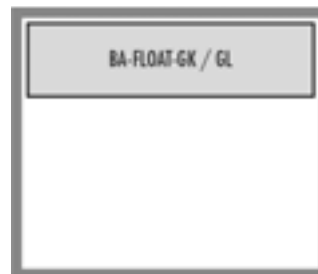
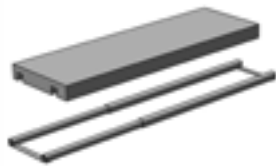


Bench seat in 'floating' design
CONCEPT-BA-FLOAT

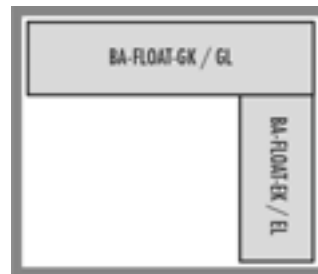
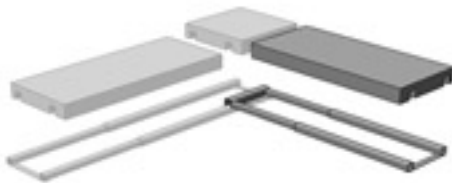
- Straight or with corners
- Stable stainless steel construction
- Heating and lighting see page 55/56



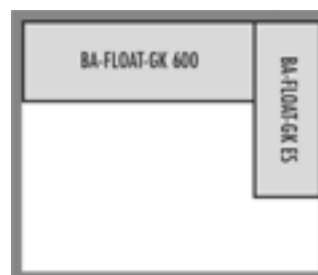
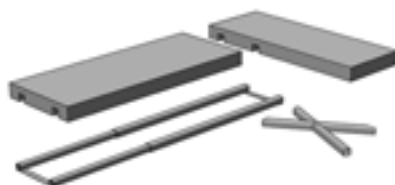
Bench form FLOAT – between two walls
 straight, incl. stainless steel sub-structure



Bench form FLOAT – corner element from wall to wall
 straight, incl. stainless steel sub-structure

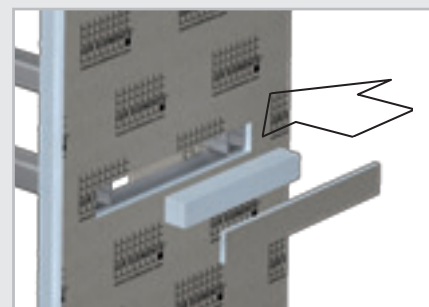


Bench form FLOAT – between two walls, with floating corner
 straight, incl. stainless steel sub-structure



■ **Assembly**

The assembly of the stainless steel sub-structure for CONCEPT-BA-FLOAT into the CONCEPT-WA wall construction (see page 12) takes place via factory-made notches in the corner elements. For this, a seat height of 45 cm is predefined (other heights possible upon request). Loose hard foam filler elements are enclosed for the later covering of the cutouts.

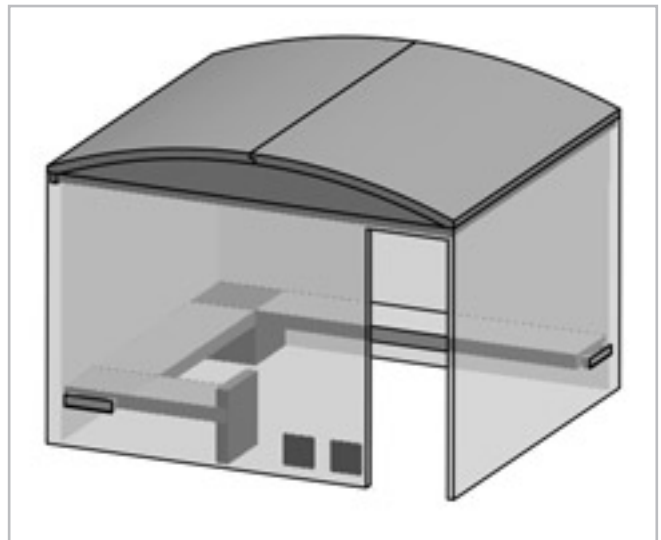
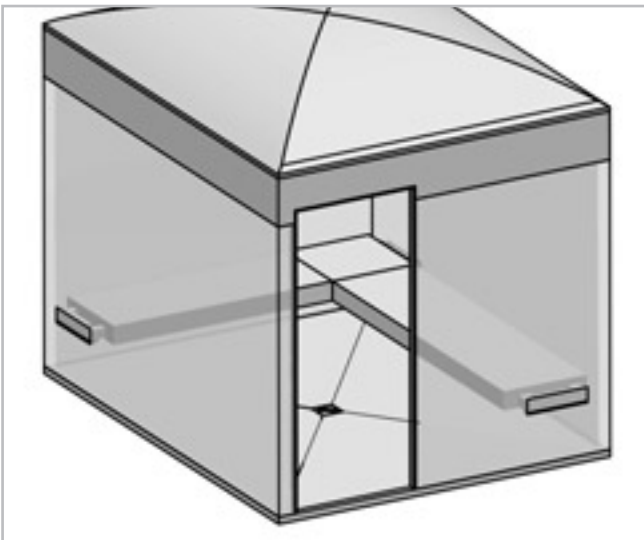
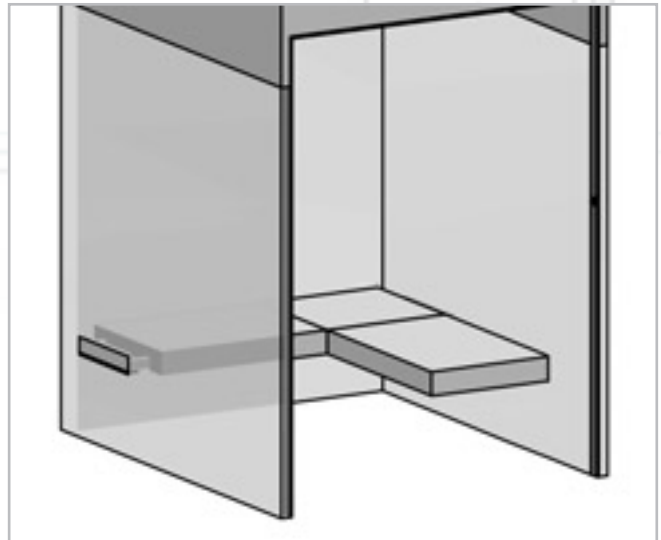
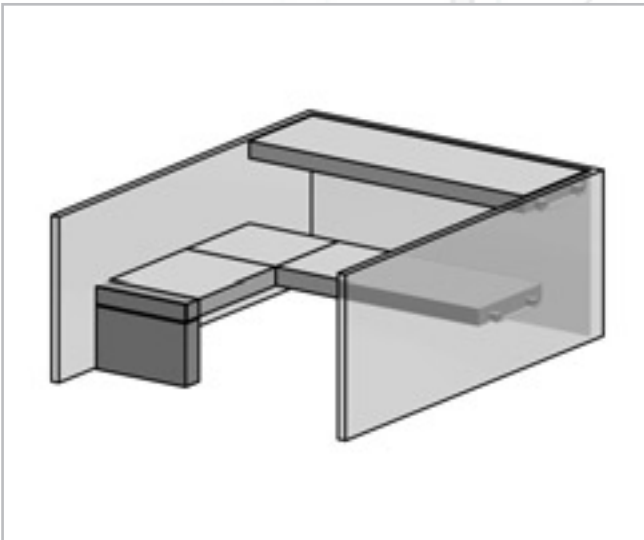
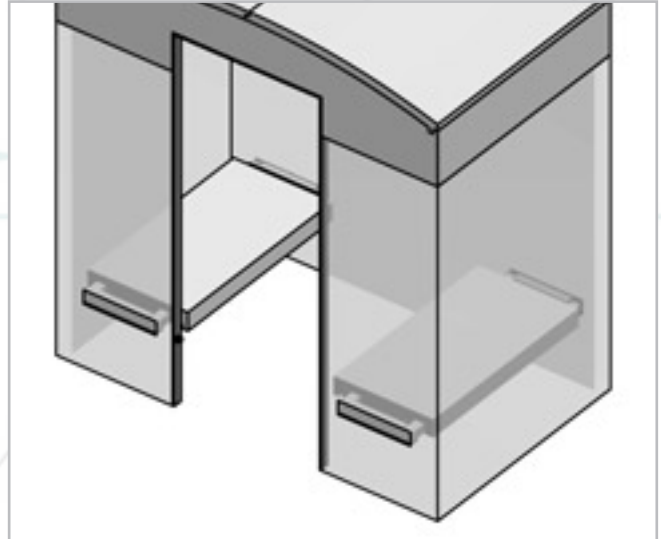
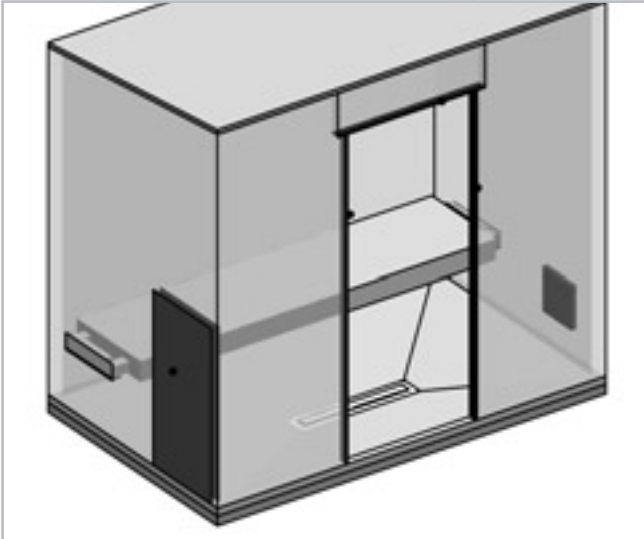


SEAT VARIANTS – INDIVIDUAL ROOM CONSTRUCTIONS

FLOAT
mit Heizset

FLOAT
mit Heizset

1550

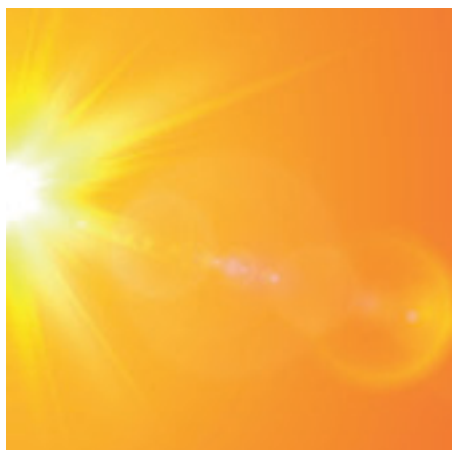


2580
A

50

Technical solutions

**Technical accessories for equipping
a room construction or shower**



Design and technology must be perfectly matched to each other in spas and wellness facilities.

Hard foam support elements from LUX ELEMENTS are ideally suited to the integration of technical components. The necessary millings and sections etc. can be prepared at the factory or produced on site according to exact measurements.

Technical accessories:

- **Installation panel** for the fastening of fittings
- **Maintenance opening**
for easy maintenance of pipes/cables and technical components
- **Steam inlet**
for safe feed-through of a steam pipe
- **Individual millings** for technical fixtures
- **Hard plastic insert** for the stable fastening
- **Acceptance ...**
 - ... of an LED spot mounting sleeve
 - ... of an empty conduit
 - ... of a flush-mounted socket
- **Heating**
 - Electrical heating mat, factory-fitted
 - Water heating, factory-fitted
 - or milling for the on-site installation of water heating
- **Light**
Flexible light rope or LED spotlight, dimmable
- **Sound**
Structure-borne sound converter as 'invisible loudspeaker'



For further information, please see
www.luxelements.com

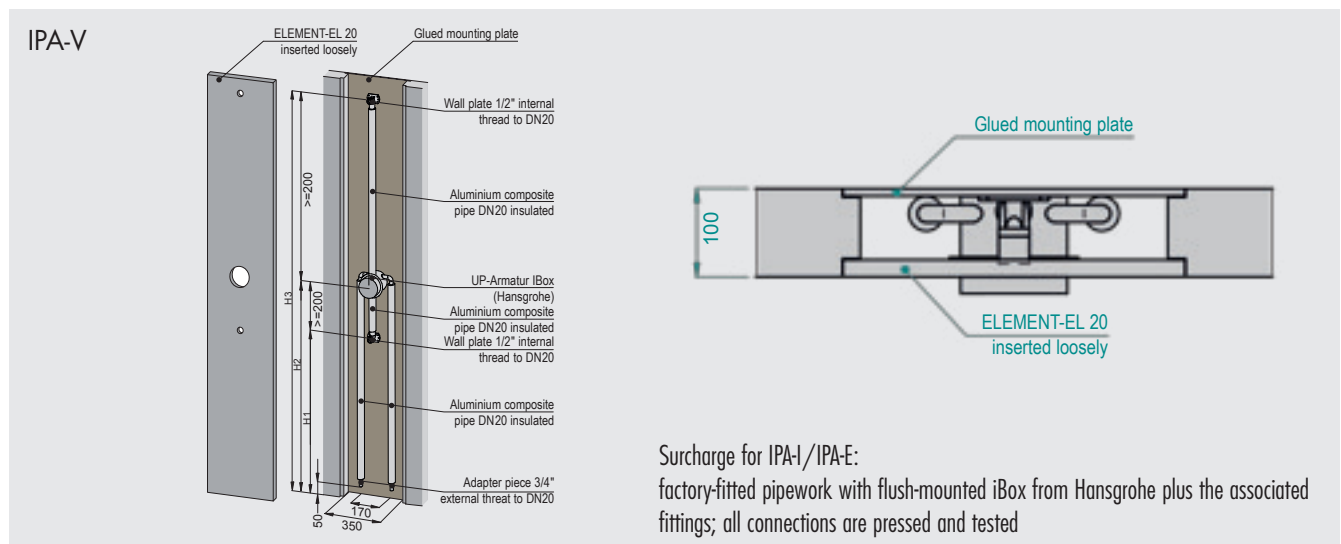
Technical solutions

ADD

Technical accessories for equipping a room construction (see p. 10) or shower:

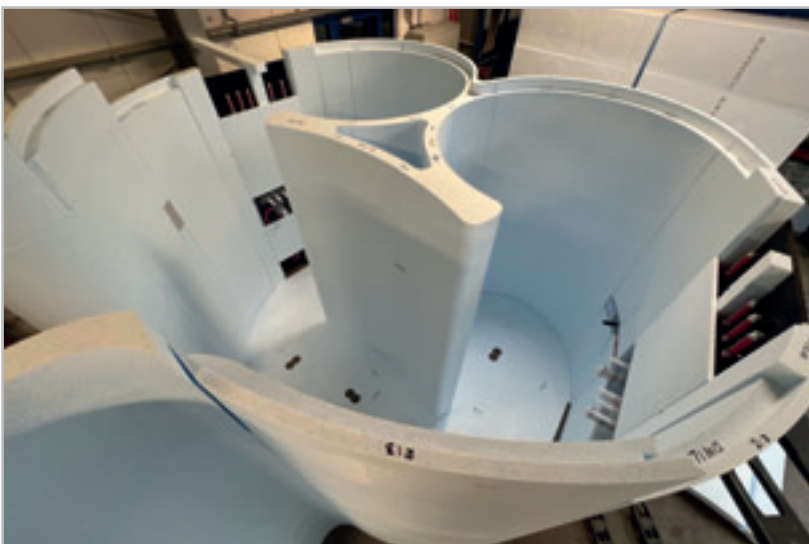
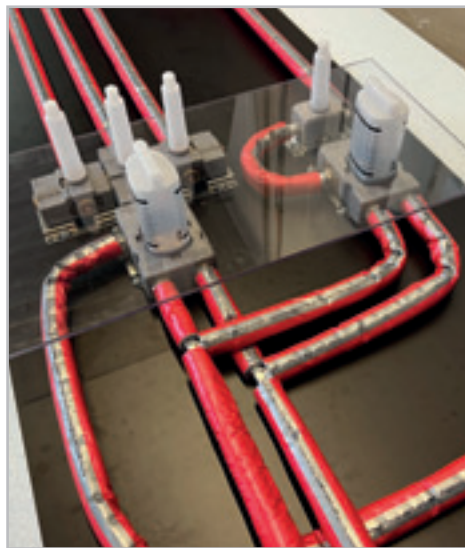
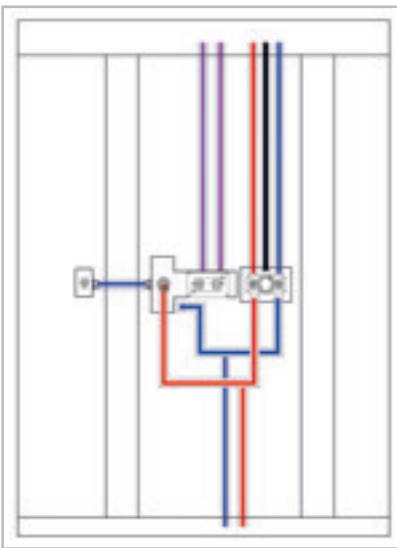
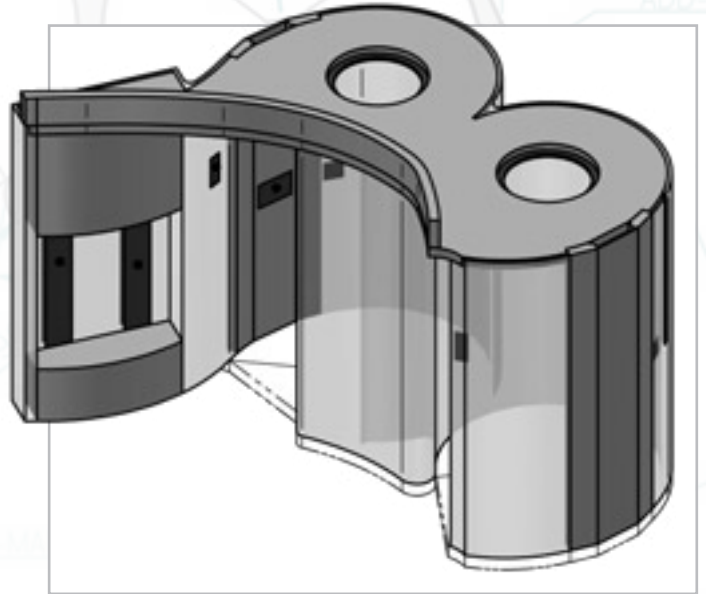
Installation panel – ADD-TE IPA

- Prefabricated element for the fastening of fittings
- Factory-integrated (IPA-I) or for self-installation in a room construction (IPA-E)
- Also with pre-installed flush-mounted iBox from Hansgrohe as well as the associated piping with connections (+IPA-V)



Pipework

- Factory piping according to customer requirements and factory installation of sanitary installations
- Simple piping, complex sanitary installations or iBox from Hansgrohe possible



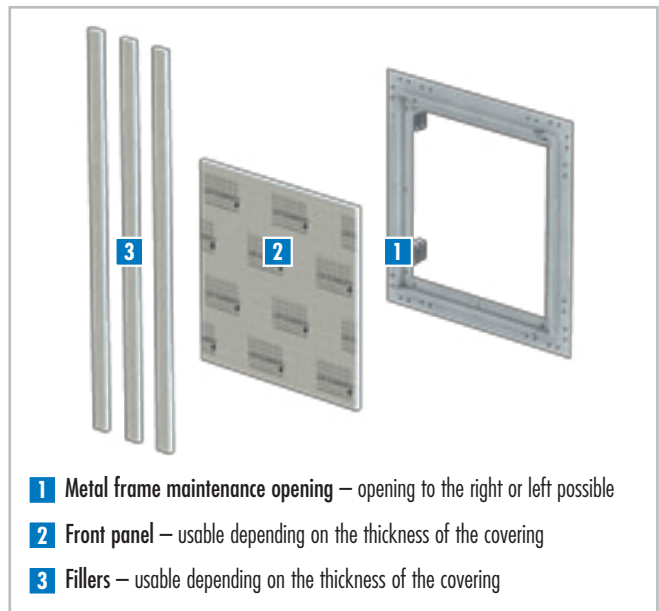
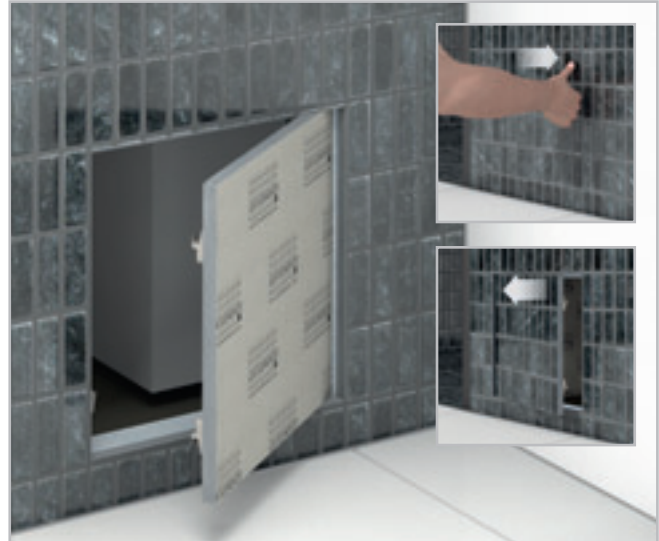
Technical solutions

ADD

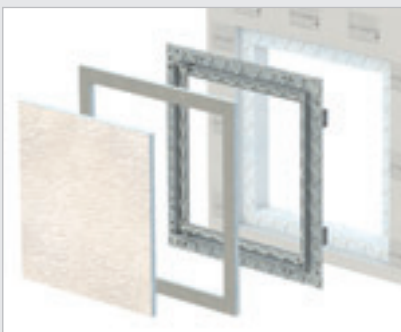
Technical accessories for equipping a room construction (see p. 10) or shower:

Maintenance opening – ADD-TE REV

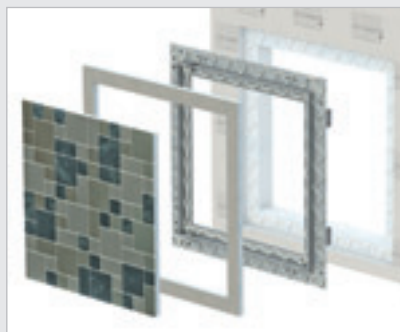
- Four different sizes, from 150 x 150 mm to 600 x 600 mm
- Easy maintenance of pipes/cables and technical components
- Metal frame, rotatable by 180°: opening to the right or left possible
- Easy opening and closing by light pressure
- Front panel for thinner covering thicknesses
- Factory milling for maintenance opening in the wall element
- Fillers for adaptation to covering thicknesses of 2 or 12 mm



Maintenance opening ADD-TE REV – Adaptation of the installation height by fillers for covering thicknesses of 2 or 12 mm:



Application with plaster:
with front panel / fillers on frame



Application with mosaic tiles:
with front panel / fillers on frame



Application with natural stone:
without front panel / fillers under frame

Technical solutions

ADD

Technical accessories for equipping a room construction (see p. 10) or shower:

Steam inlet – ADD-TE DE

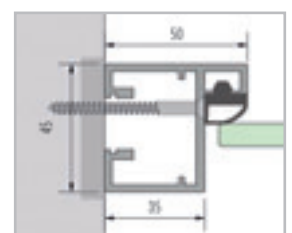
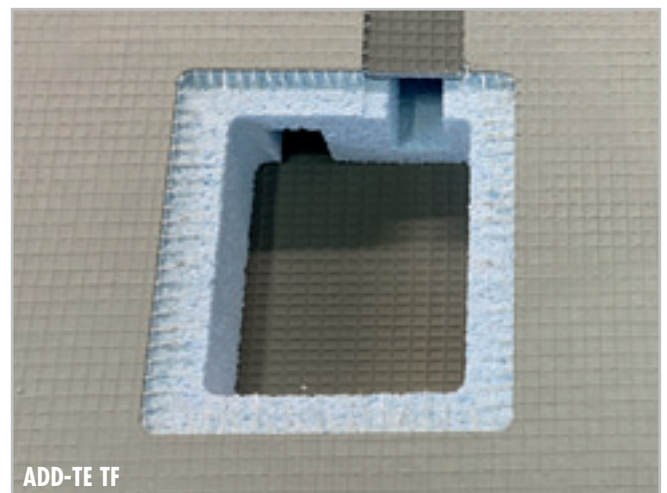
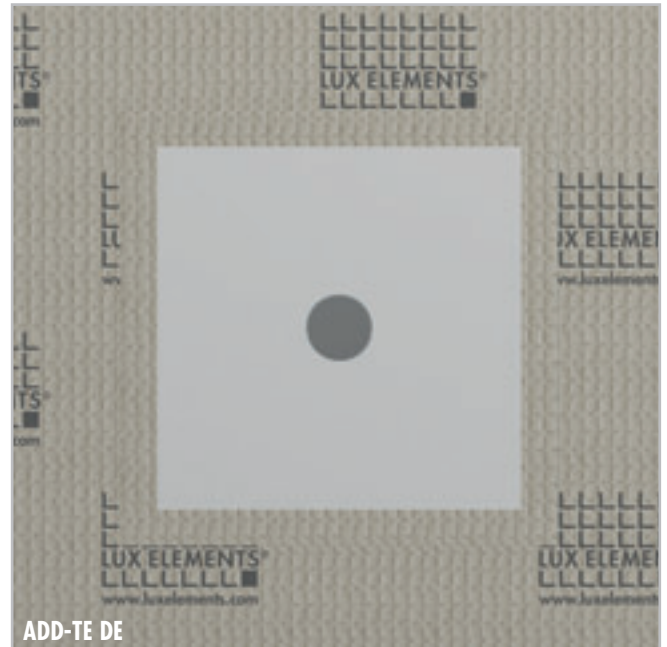
- Temperature-resistant supporting panel for a steam inlet
- Safe feed-through of a steam pipe
- Preparation for different manufacturer types
- Factory-integrated or single
- Three different variants:
 - Support panel 150 x 150 x 30 mm, with 28 mm hole for a steam inlet, incl. sealing sleeve
 - Support panel 250 x 250 x 30 mm, with 45 mm hole for a steam inlet, incl. sealing sleeve
 - Support panel 260 x 260 x 8 mm (on front and rear side) with 110 mm hole for a steam inlet, incl. high-temperature insulating material

Millings – ADD-TE TF

- Additional charge for technical fixtures, milling, factory-made according to customer's specification

Hard plastic insert – ADD PRO-MAK

- For adhering to hard foam
- For the stable fastening, for example, of hose holders or fittings
- Different versions:
 - as running meter, 50 mm or 80 mm wide
 - prefabricated pieces for specific sizes



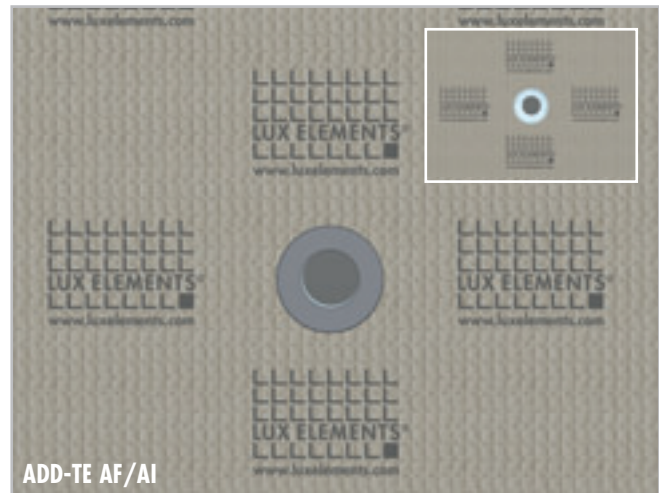
Technical solutions

ADD

Technical accessories for equipping a room construction (see p. 10) or shower:

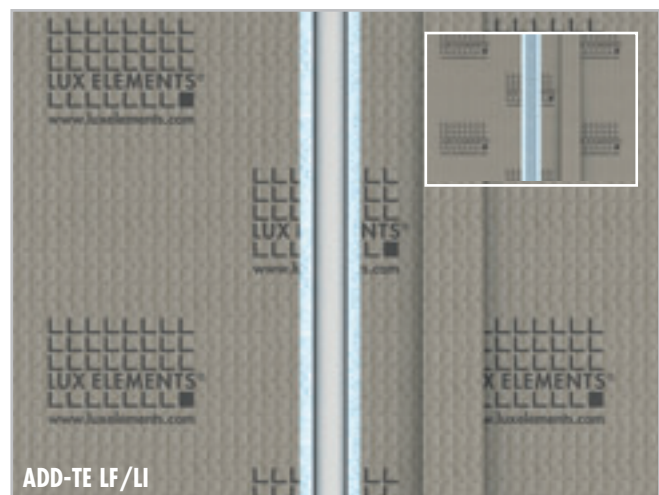
Acceptance of an LED spot mounting sleeve (WDT) – ADD-TE AF/AI

- As a milling for the on-site acceptance of a sealing flange
- Also as a factory-integrated sealing flange
- For subsequent acceptance of a WDT spot integrated sleeve



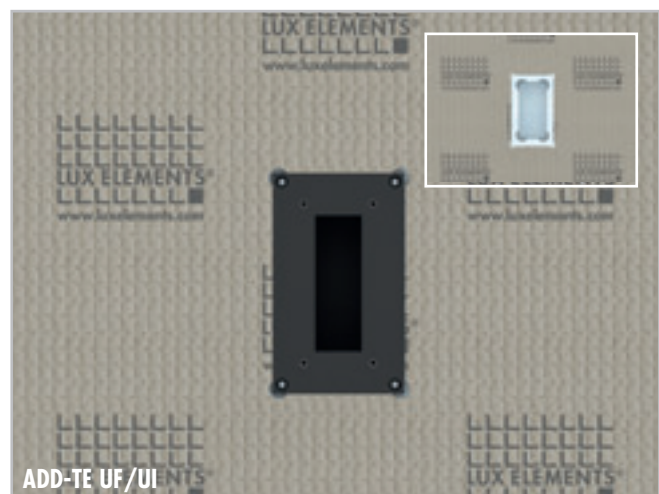
Acceptance of an empty conduit – ADD-TE LF/LI

- Two different standard pipe diameters (25 or 32 mm)
- As a milling in the hard foam support element with loose cover
- Also as a factory-integrated and covered empty conduit
- For the feed-through of electrical cables, e.g. for switch plates



Acceptance of a flush-mounted socket (WDT) – ADD-TE UF/UI

- Four different versions: 1, 2, 3 and 4-fold
- As a milling in the hard foam support element for on-site acceptance
- Also as a factory-integrated WDT flush-mounted box



Heating

ADD-EH / -WH

Optional for all seats:

Electrical heating mat – ADD-EH

- Factory-fitted
- Separate thermostatic controllers in different versions with and without timer

Thermostatic controllers – for electrical heating set



ADD-EH ZA



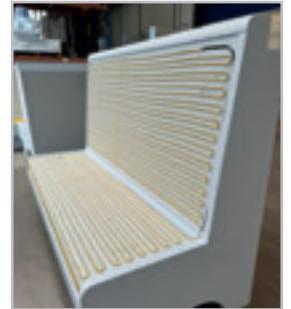
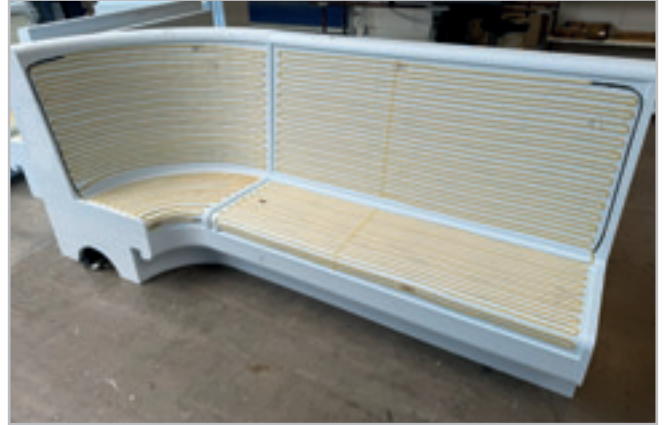
ADD-EH ZB



ADD-EH ZD



ADD-EH ZC

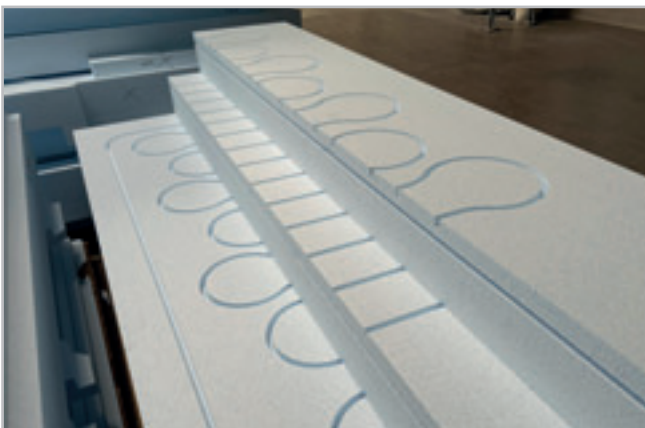
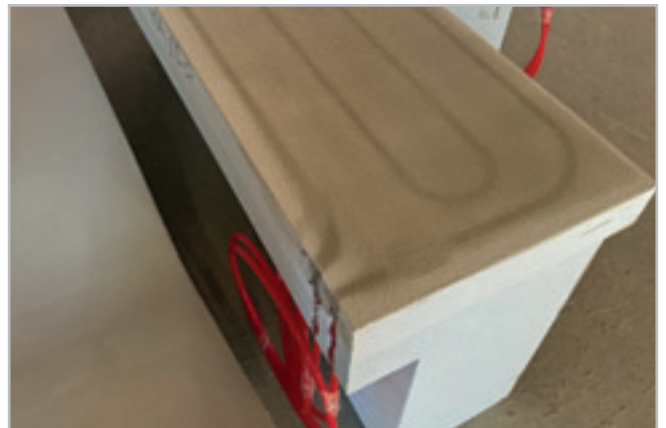


Water heating – ADD-WH

- Factory-fitted

Milling for water heating – ADD-WH F

- Milling for the on-site installation of water heating

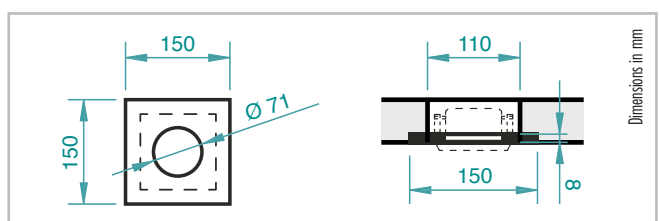
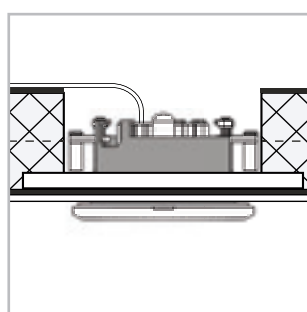
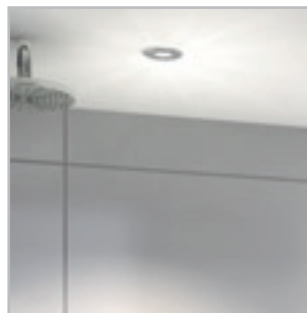


Light

ADD-LI

LED spotlight – ADD-LI P

- Light colour warm white, dimmable
- Round, colour chrome-matt
- Protection class IP 65
- Power supply unit and hard plastic installation frame for attachment available separately

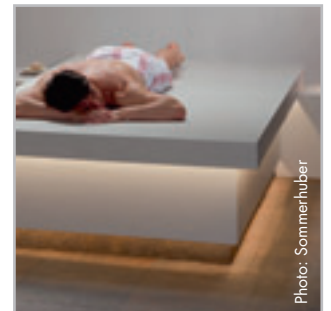
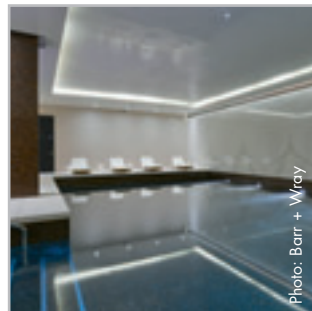


Light

ADD-LI

Light rope – ADD-LI L

- Flexible light rope
- Light colour warm white or colored (RGB)
- Bendable in horizontal direction up to a radius of 40 mm
- 24 V, protection class IP 67, 5 m supply cable
- Suitable power supply units available separately
- Controller for light rope RGB available separately (incl. radio remote control, for controlling up to a total of 28 m of light ropes)



Sound

ADD-SO

Structure-borne sound converter – ADD-SO KSW

- For mid and high frequency sound reproduction on oscillating surface
- 'Invisible loudspeaker' – no negative influence on the wall design
- Including a hanger bolt and an integrated mounting plate for secure fastening
- Can be connected to conventional amplifiers
- Dust-tight and waterproof according to IP 68



LUX ELEMENTS – Systems for Wellness

Shower units, baths and pools, furnishings

These products can be combined both with room constructions and with one another, thus giving a wellness area an homogeneous overall appearance:

- Individual shower units for the commercial building sector
- Round shower and curved shower
- Individually planned pools and paddling pools
- Massage tables, footbaths, fountains and columns
- Heated relaxation loungers
- Decorative elements



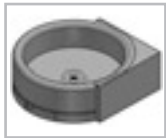
Shower units, baths and pools, furnishings – Content

Shower units



Shower units / Round showers and curved showers	60
Round shower – RELAX-RD	62
Curved shower – RELAX-SD	64
Shower units – RELAX-SHOWER	66

Baths and pools



Baths and pools	68
Baths and pools – RELAX-BE	70

Furnishings



Furnishings / Relaxation loungers / Decorative elements	72
Furnishings – FURNITURE	74
Relaxation loungers – RELAX-RL	76
Decorative elements – DECO	78



Shower units

A shower or shower unit is a must in every wellness area, ideally a shower flush with the floor. Design and technology must fulfil particularly high requirements here, as these showers are frequently in use. Cleaning and care are also important aspects.

In the shower systems from LUX ELEMENTS, you have found a durable and robust solution that meets these requirements. You can choose from standard building kits or design your shower unit individually in single-part or series production.

For each wall shape, we supply on request a matching shower base **with gradient and drainage technology** as well as tested mounting material.

We will be happy to advise you on any issue concerning the installation of fittings and shower equipment.

Round showers and curved showers

LUX ELEMENTS manufactures kits for round showers or curved showers with these components:

Construction:

- Shower partition wall elements
- Shower base element and substrate element
- Cover element

Accessories:

- Installation panel for the fastening of fittings
- End element for edges

Available as a standard item or as an individual custom-made product.



Round shower

RELAX-RD

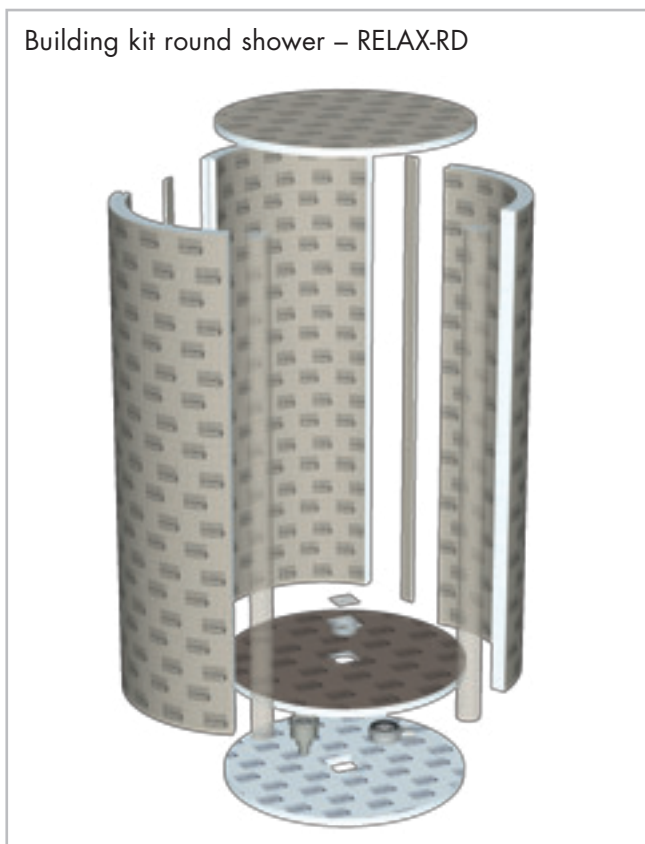
- Building kit for a round shower (floor, walls, ceiling)
- Shower base element, factory sealed with prefabricated gradient and floor drain fitting frame
- Shower partition wall elements in 3 segments with stable connection

Accessories (optional)

- Installation panel ADD-TE IPA for the fastening of fittings, see page 50
- Finishing element for edges DECO-AE, see page 78
- Matching, individually compiled assembly material

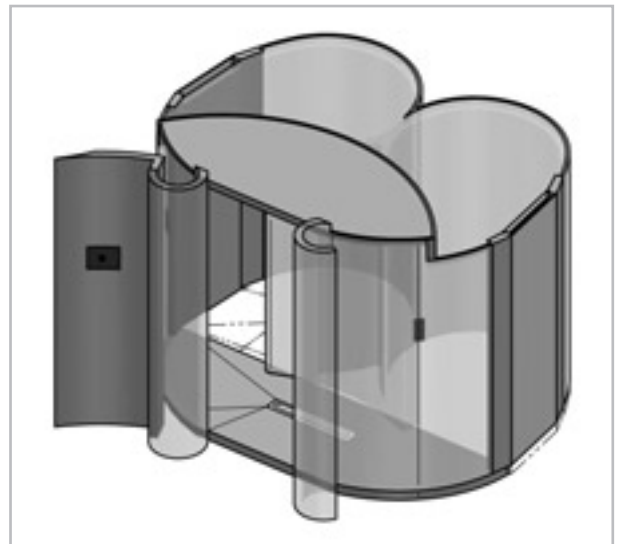
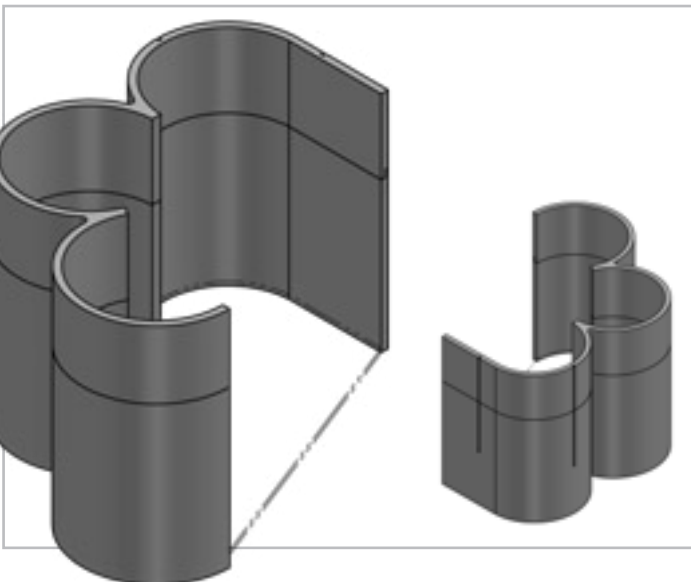
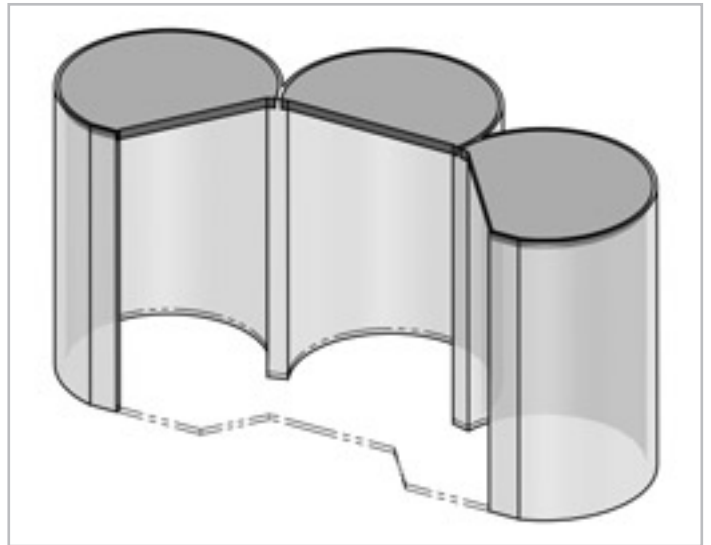
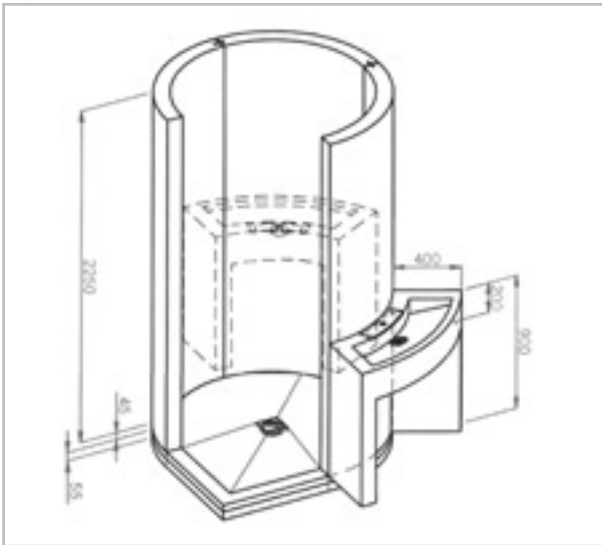
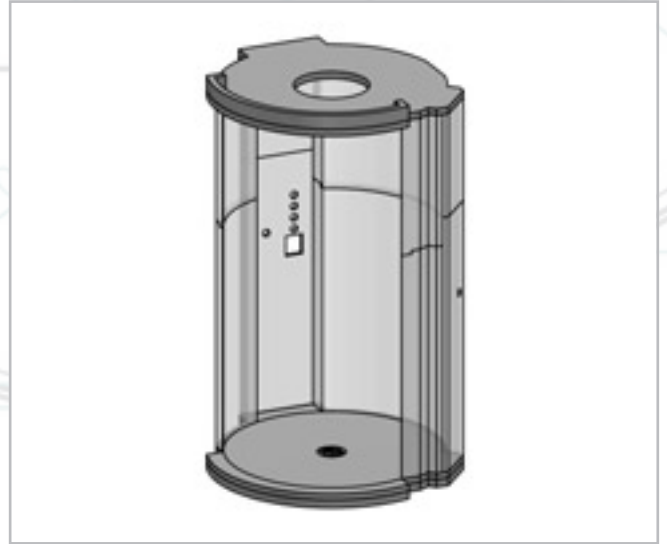


Building kit round shower – RELAX-RD



Special shapes

- Alternatively we can also realise your individual planning as a customised product



Curved shower

RELAX-SD

- Building kit for a curved shower (floor, walls, ceiling)
- Shower base element, factory sealed with prefabricated gradient and floor drain fitting frame
- Shower partition wall elements in 6 segments with stable connection

Accessories (optional)

- Installation panel ADD-TE IPA for the fastening of fittings, see page 50
- Finishing element for edges DECO-AE, see page 78
- Matching, individually compiled assembly material

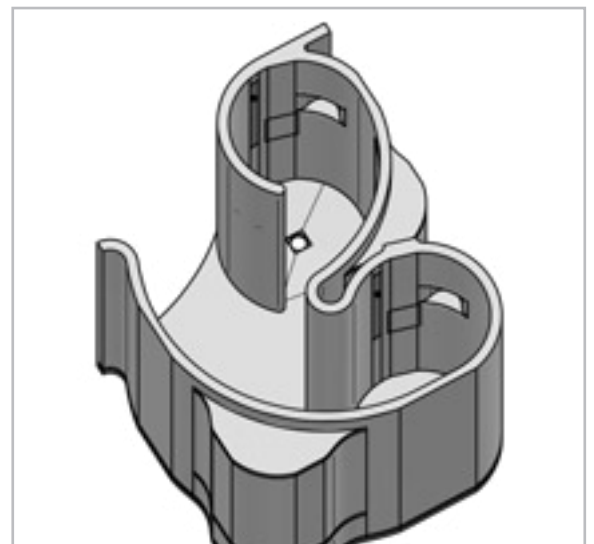
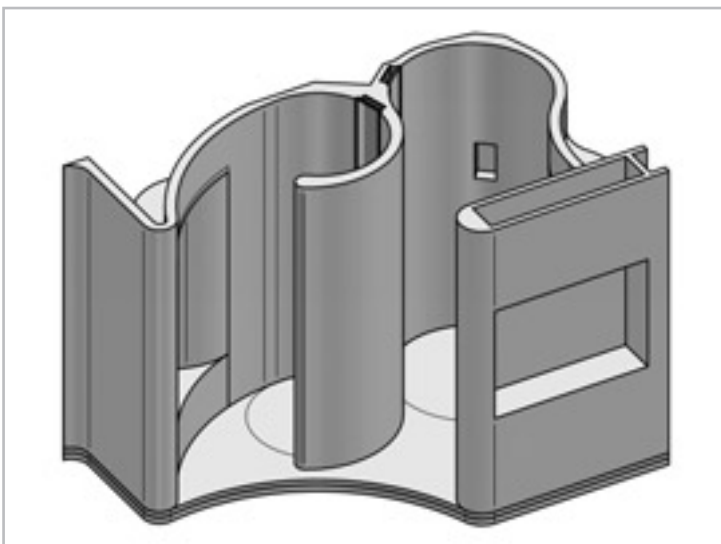
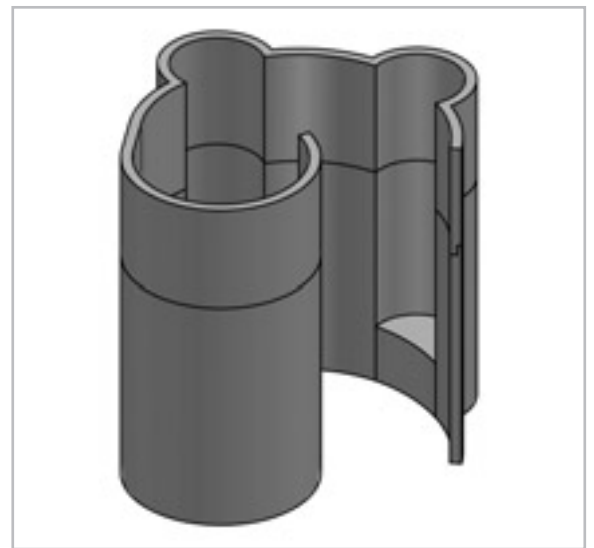
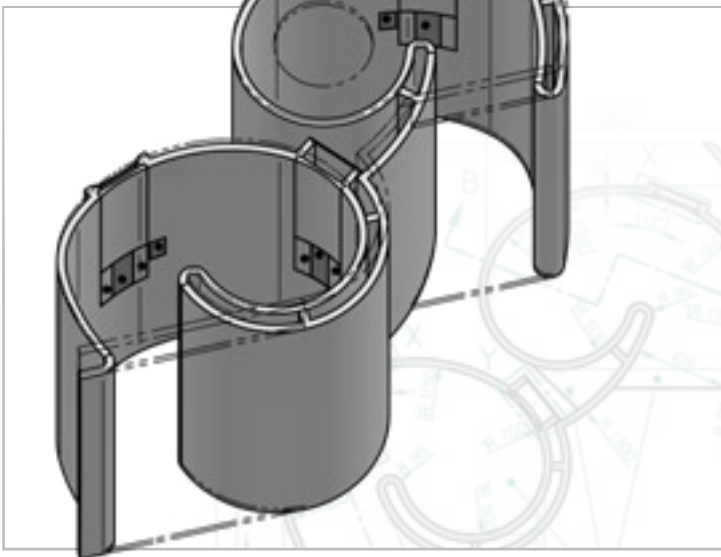
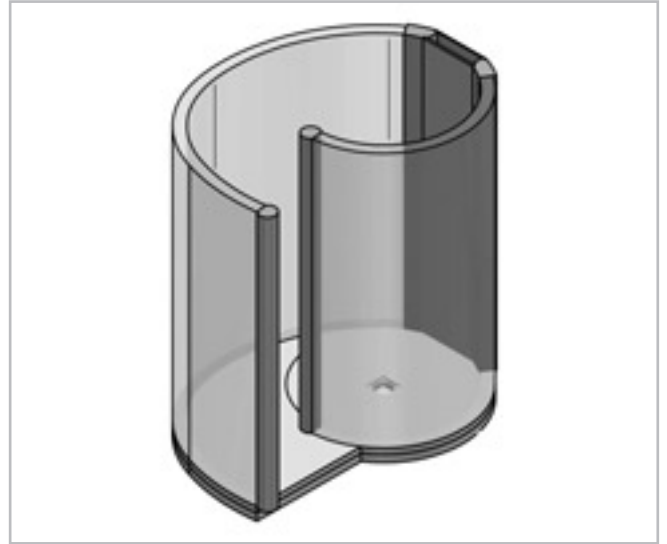


Building kit curved shower – RELAX-SD



Special shapes

- Alternatively we can also realise your individual planning as a customised product



Shower units

SHOWER

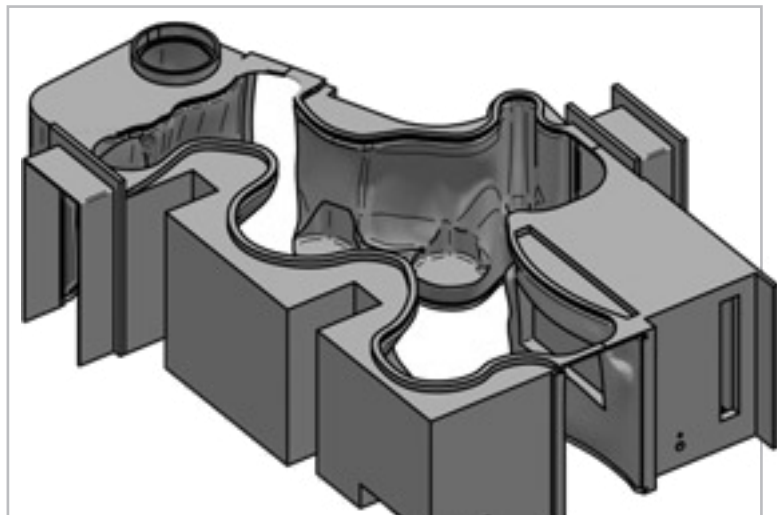
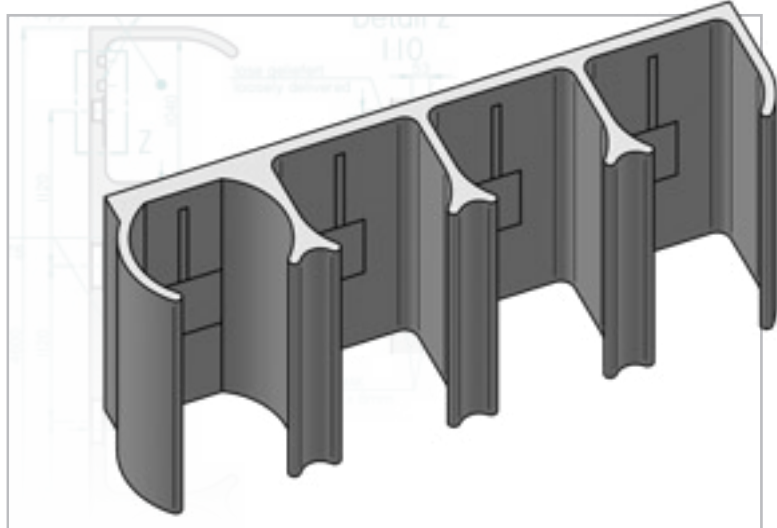
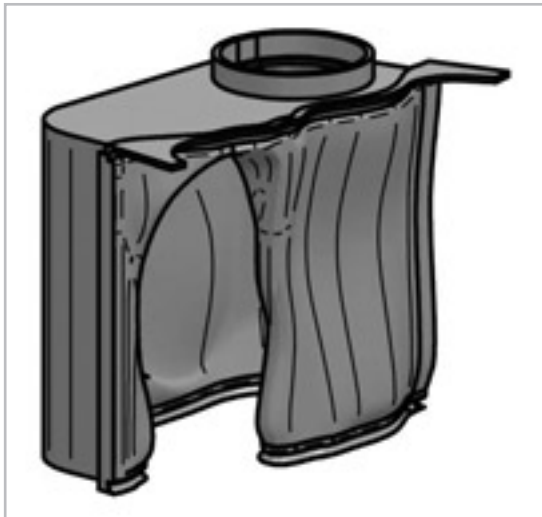
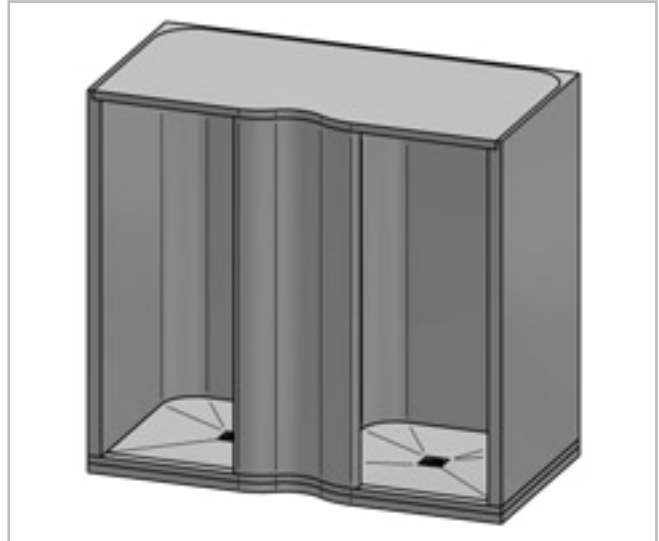
Shower units – RELAX-SHOWER

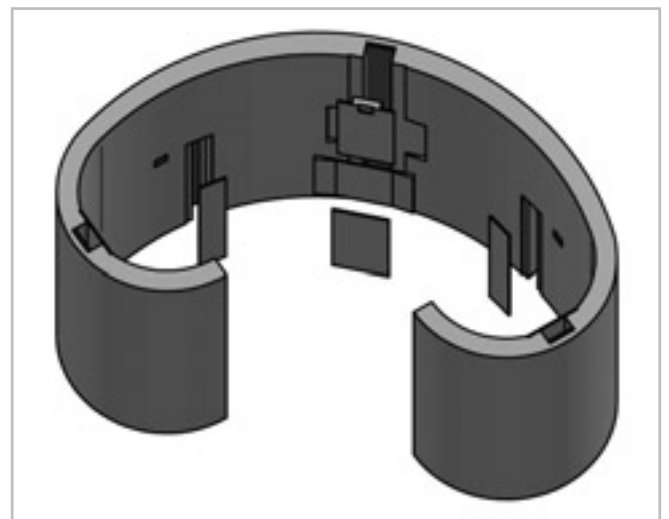
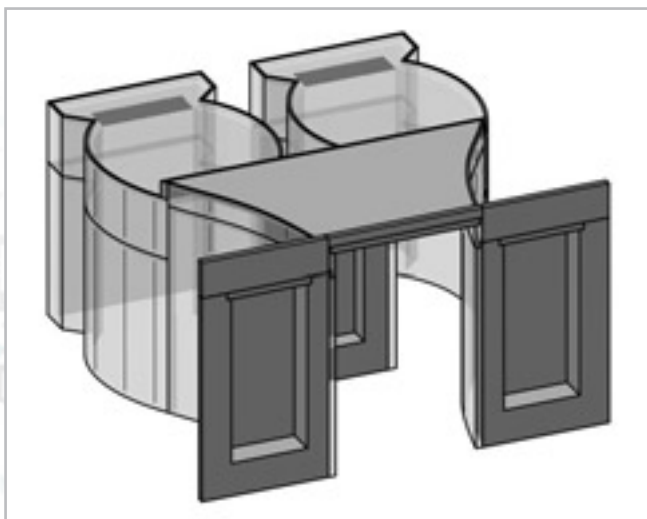
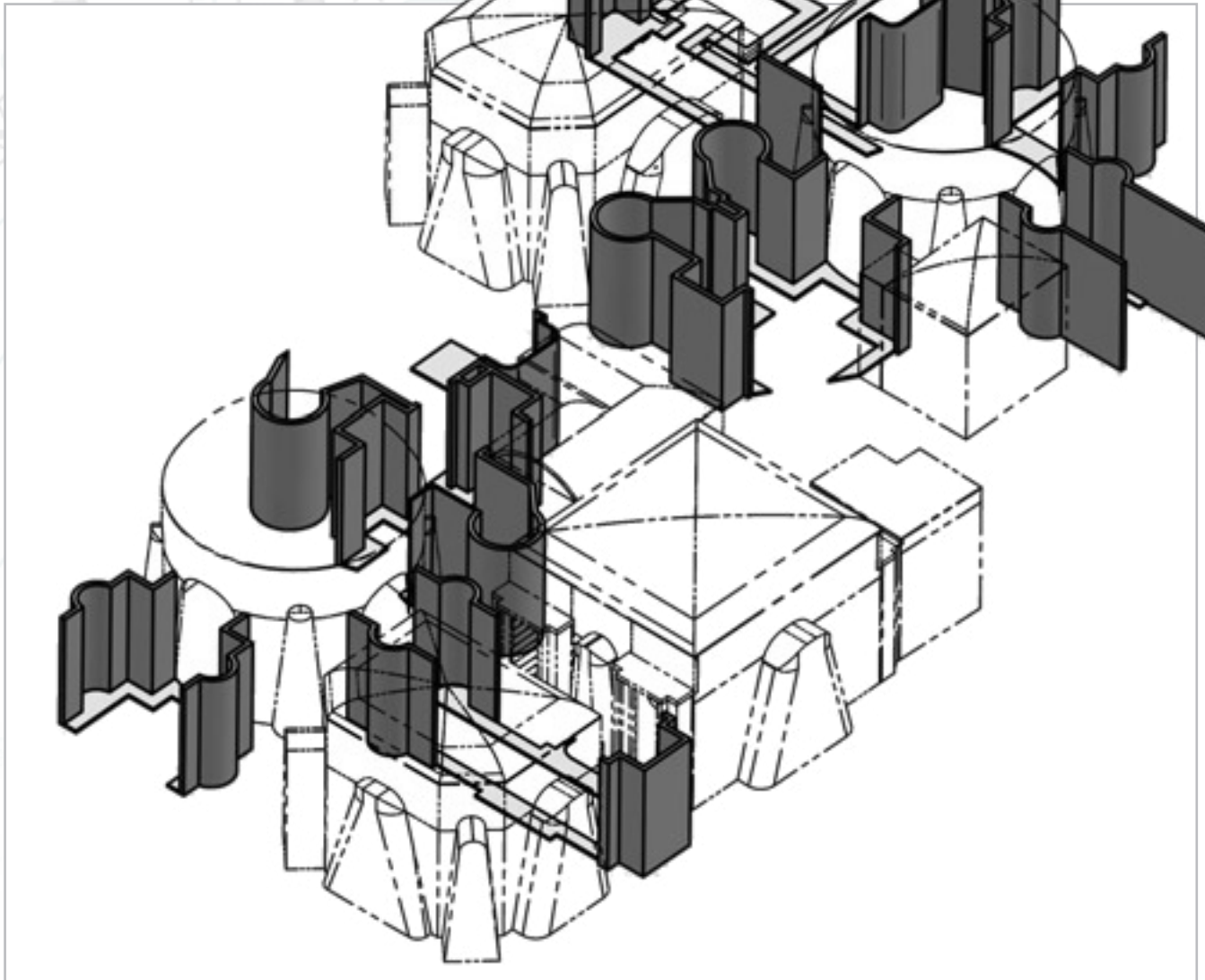
LUX ELEMENTS is your specialist for bespoke productions in individual wellness facilities.

Here you can see examples of individually planned shower units made of hard foam support elements.

Our competence:

- **Shower units** – round or straight shapes in a row or at an angle, combinable with glass and metal constructions or fixtures for installations





Baths and pools

No wellness facility should be without pools and baths. LUX ELEMENTS manufactures individually planned rounded or straight pool walls with channel body and overflow channel. We also supply the matching underwater installations such as seats, benches, platforms, stairs or steps in straight and round shapes.

For kids we make imaginative paddling pools, also with decorative figures on request.
For the avoidance of impact injuries caused by sharp corners, we recommend rounded shapes for these pools.

We'll be glad to advise you on technical questions.





Baths and pools

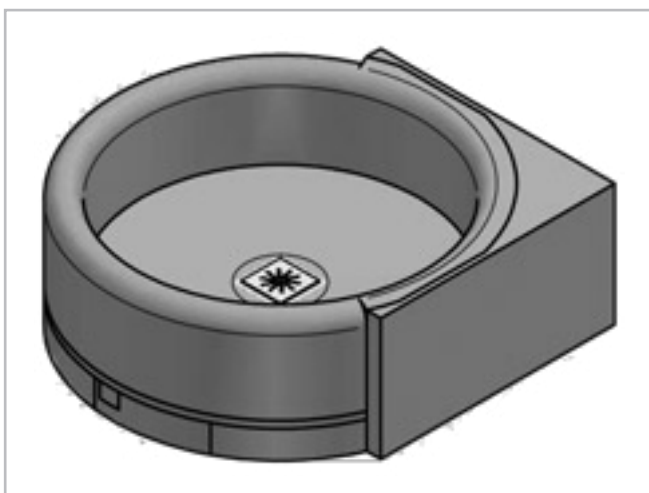
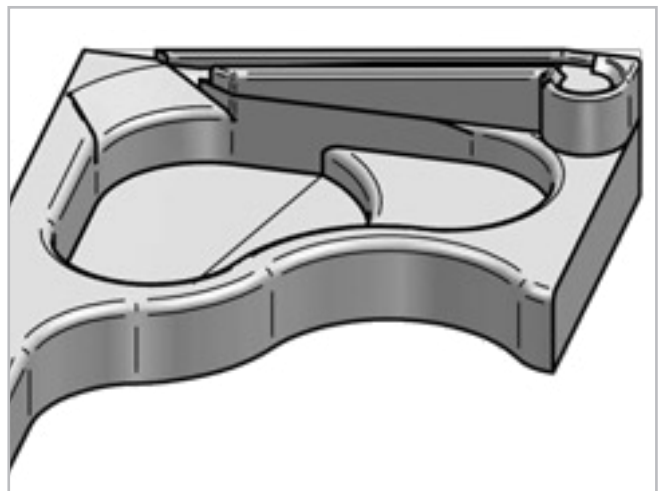
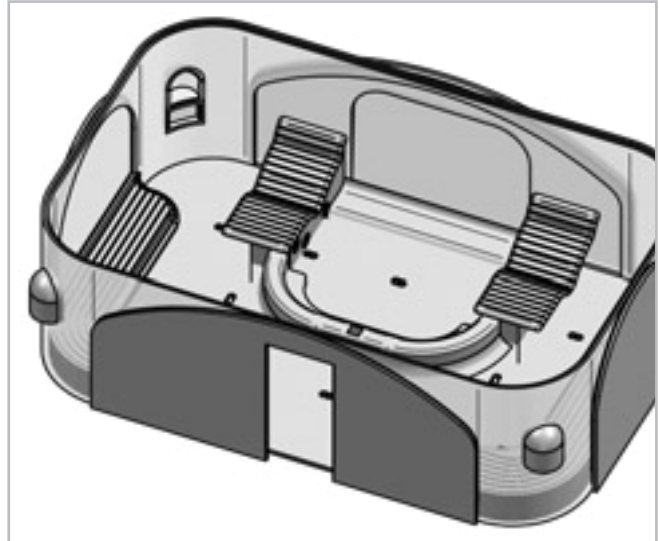
RELAX-BE

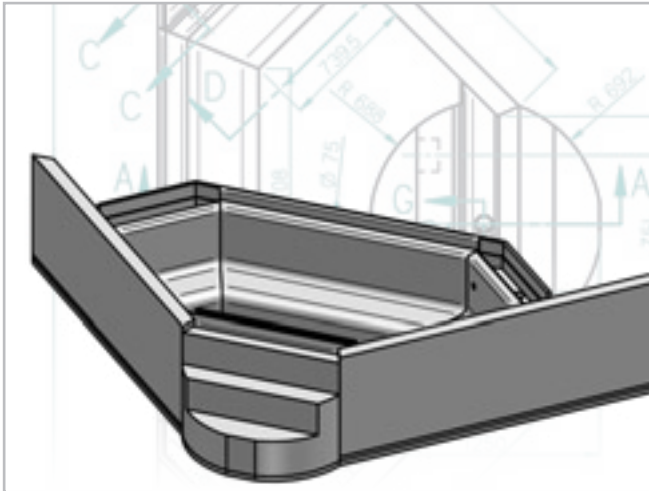
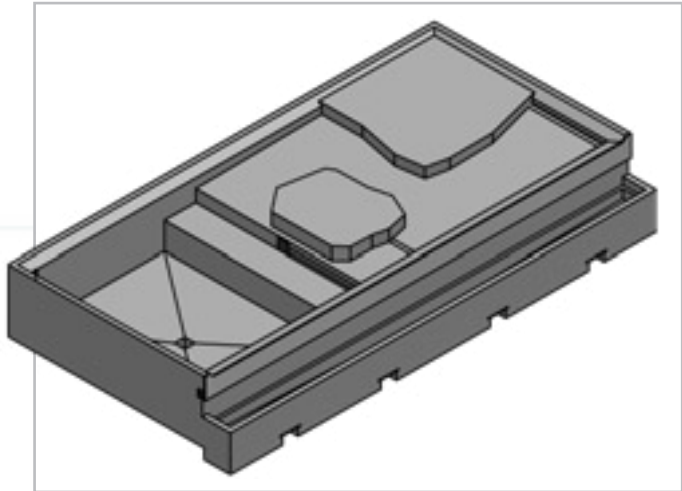
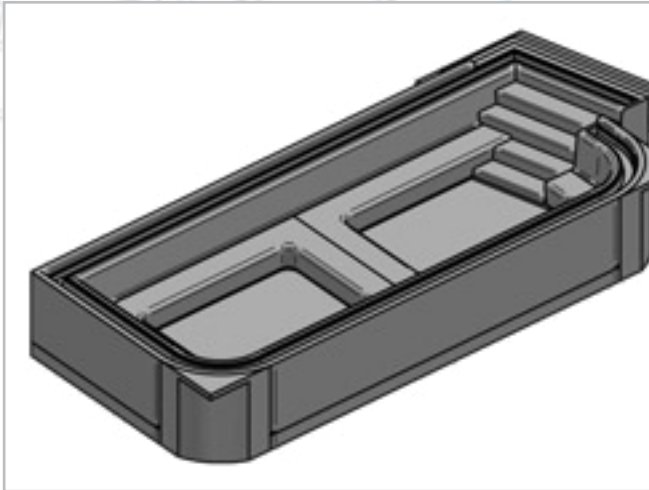
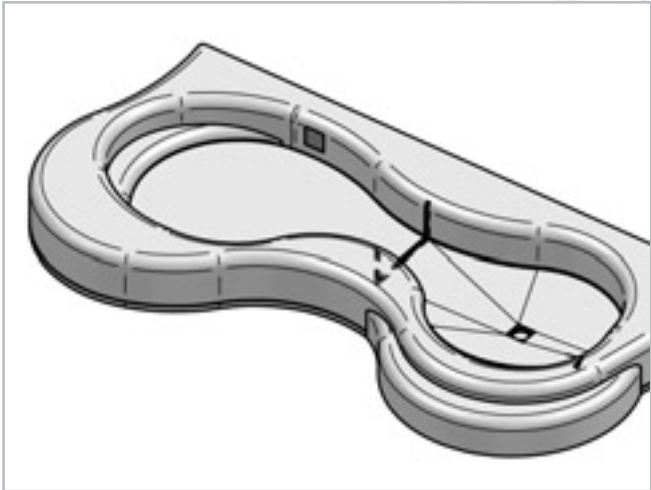
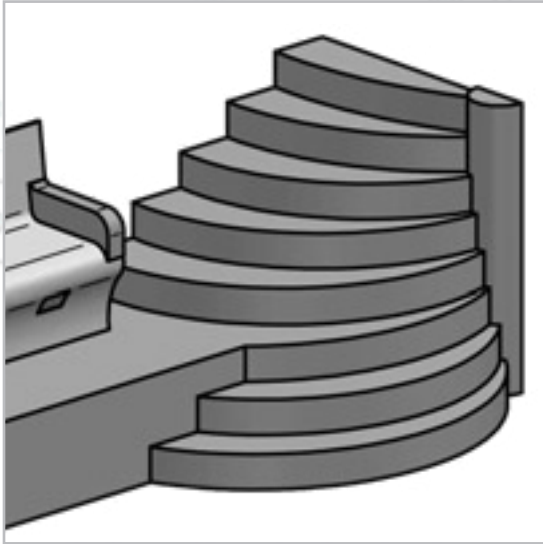
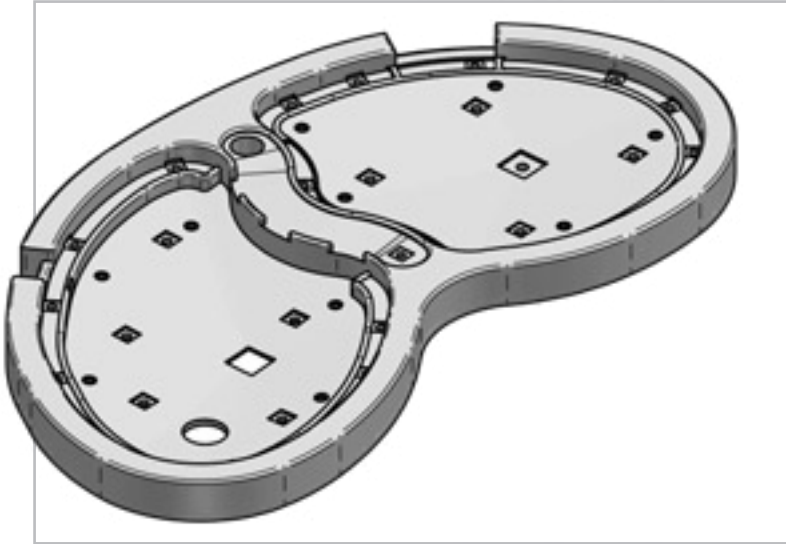
LUX ELEMENTS is your specialist for bespoke productions in individual wellness facilities.

Here you can see examples of components made of hard foam support elements in an individually planned pool and swimming pool area.

Our competence:

- Pools (walls, floors) – rounded or straight
- Pool installations – seats, bench seats, platforms, etc.
- Steps
- Children's paddling pools – small and flat, rounded or straight
- Plunge pools
- Channel bodies / overflow channels – shaping for subsequent technical components





Furnishings

Individual furnishings made of hard foam support elements in the wellness area:

- Massage tables – with or without heating
- Footbaths – with or without bench seat
- Fountains – e.g. ice fountains
- Steps / platform
- Partition walls





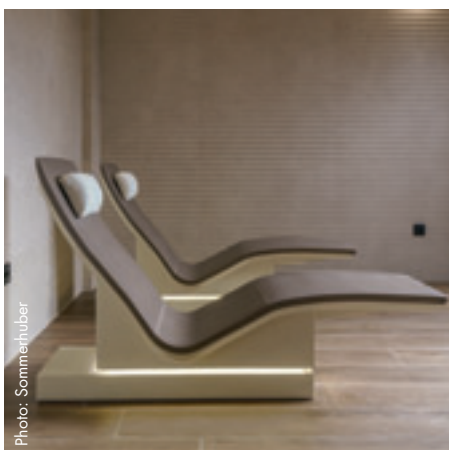
Relaxation loungers

Relaxation loungers belong to the basic equipment of a wellness or spa area. They are used for relaxation between applications.

LUX ELEMENTS manufactures relaxation loungers in three standard shapes that fit the body's shape perfectly and are therefore **extremely comfortable**. Unlike lounges with fabric coverings, the tiled surface is very **easy to clean** and so meets important hygiene criteria.

In addition, we also manufacture **individually designed relaxation loungers**. For example, if a substrate is required for a heat-storing moulded ceramic, we can manufacture this relaxation lounger shape in single-part or series production.

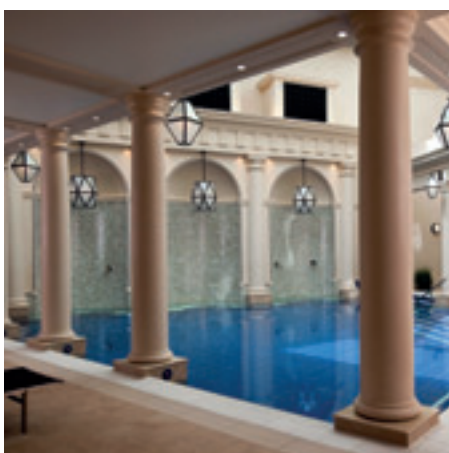
Electric or water heaters with fully adjustable controllers can be integrated into all the models.



Decorative elements

We realise decorative elements as special shapes for your individual planning, as well as standard articles:

- **Concave trims** – for negative rounding of corners
- **Curvature elements** – for the rounding of sharp finishing edges



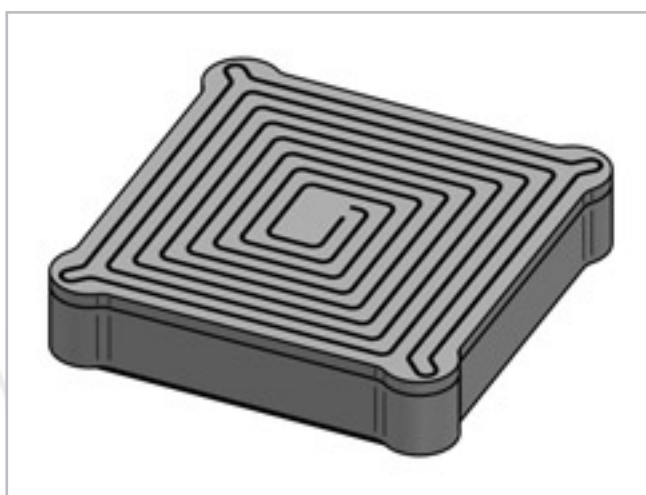
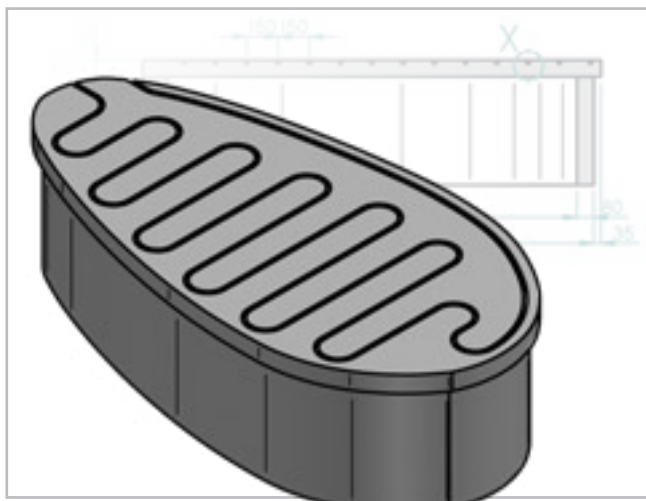
Furnishings **FURNITURE**

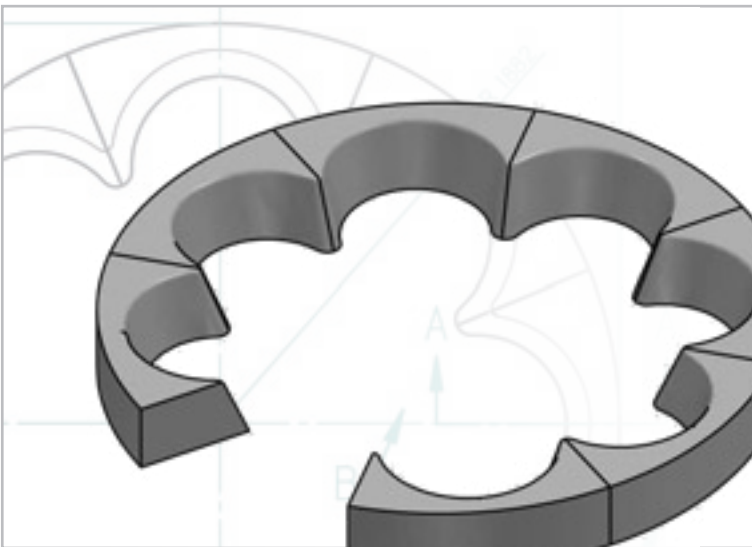
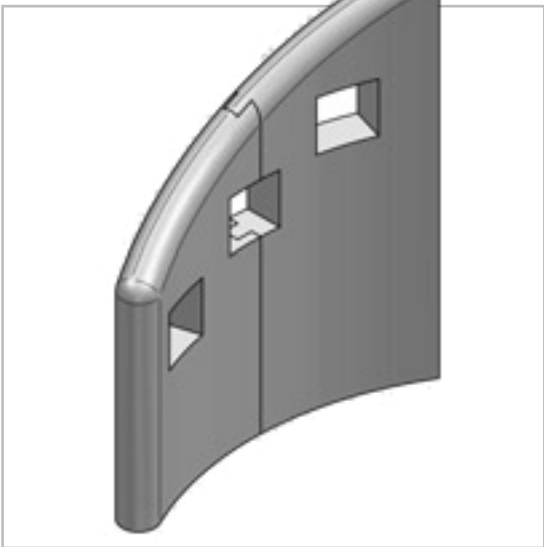
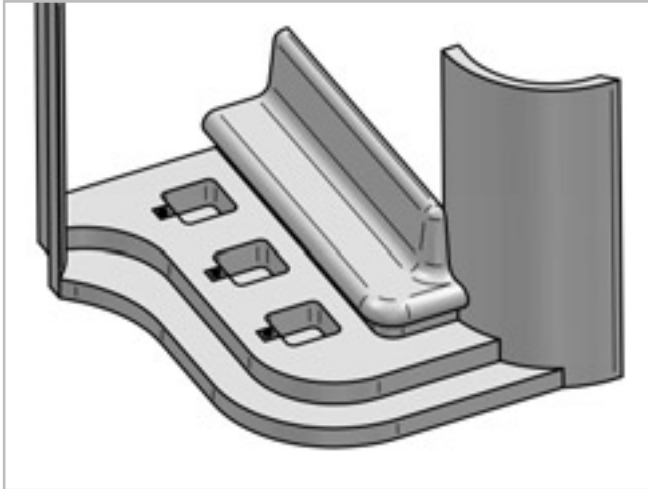
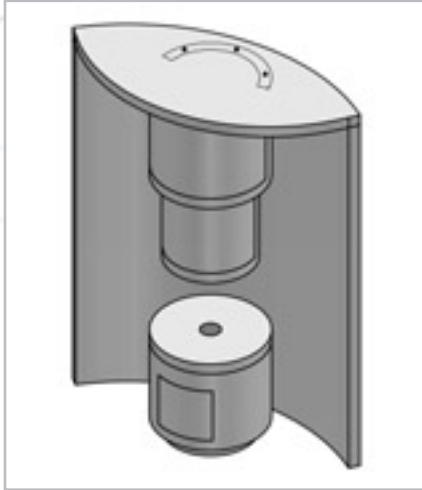
LUX ELEMENTS is your specialist for bespoke productions in individual wellness facilities.

Here you can see examples of individual furniture made of hard foam support elements in the wellness area.

Our competence:

- **Massage tables** – with or without heating
- **Footbaths** – with or without bench seat
- **Fountains** – e.g. ice fountains
- **Steps / platform**
- **Partition walls**





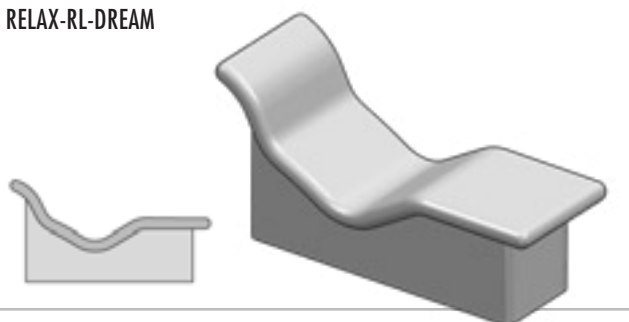
Relaxation loungers

RELAX-RL

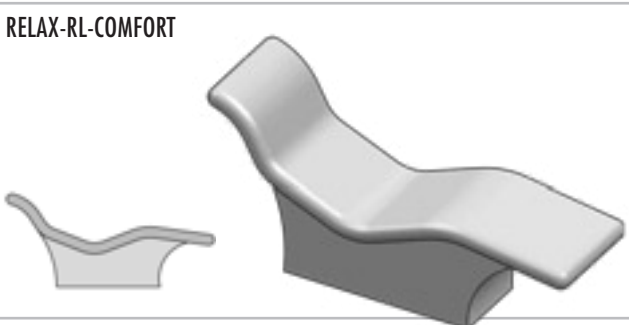
- Three different design variants as standard
 - Optionally with or without electrical heating system
 - Separate thermostatic controllers in different versions
 - Optionally also with water heating
-
- **Special shapes** – alternatively we can also realise your individual planning as a customised product (s. p. 77)



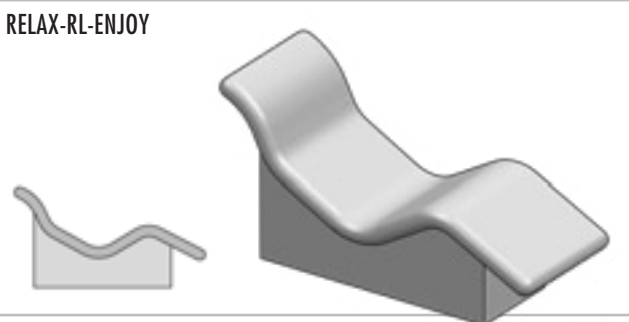
RELAX-RL-DREAM

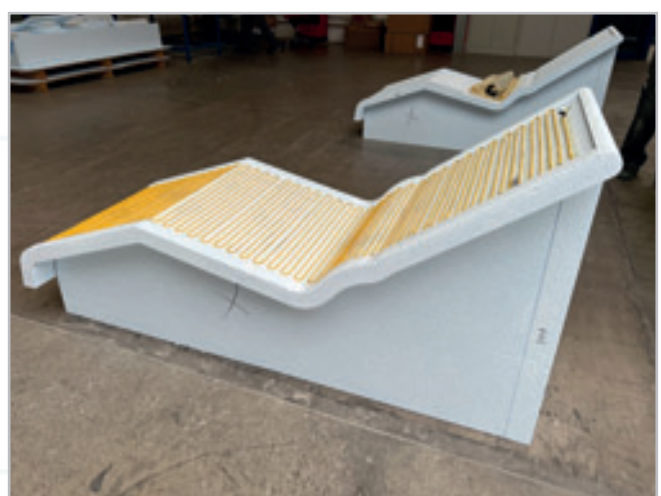
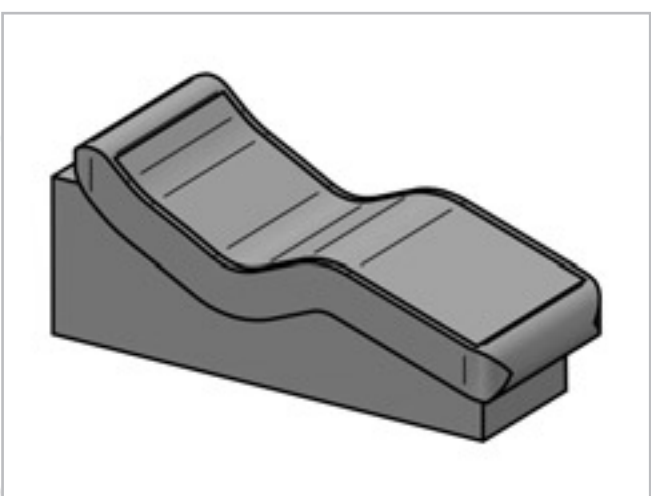
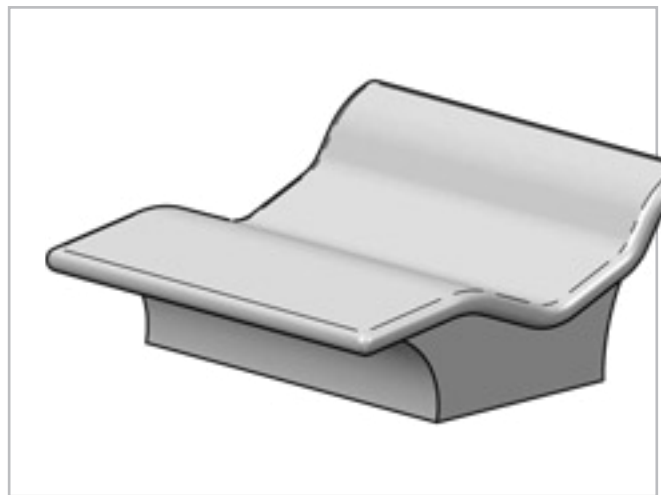
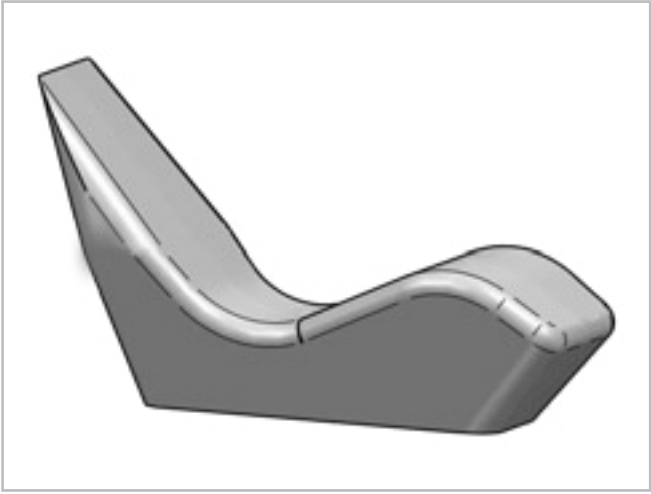


RELAX-RL-COMFORT



RELAX-RL-ENJOY





Decorative elements

DECO

Concave trims – DECO-HK

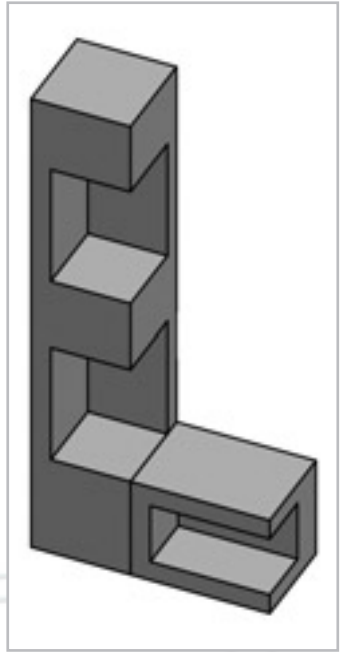
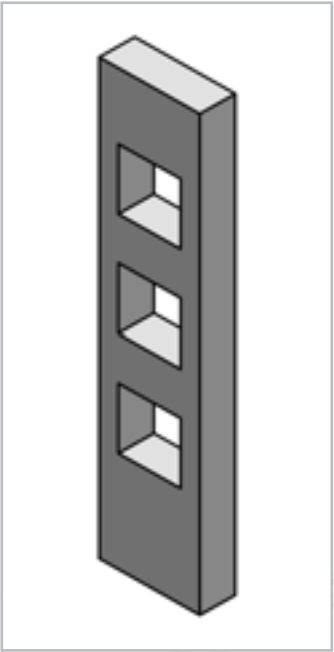
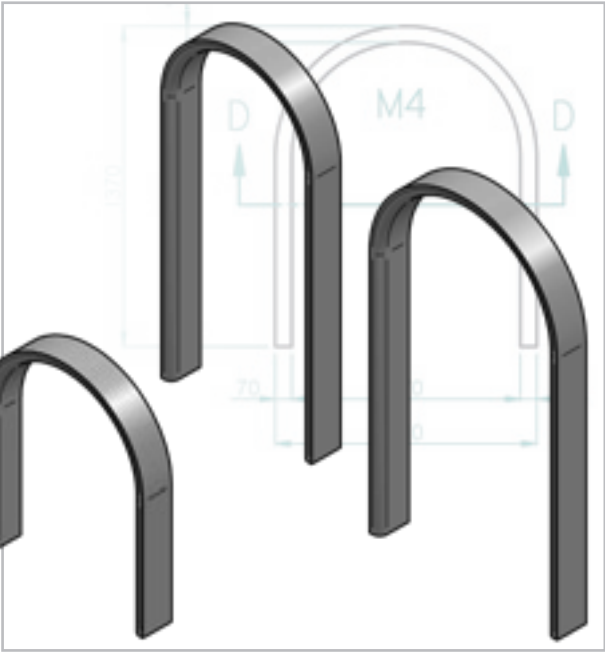
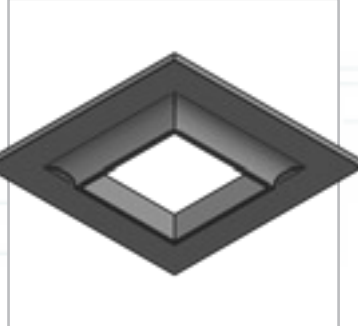
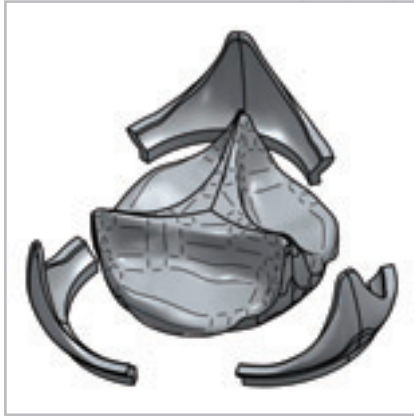
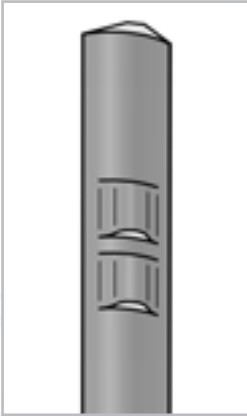
- In two sizes as standard
- For negative rounding of corners
- Decorative and functional
- Avoids the accumulation of water in corners
- Greater hygiene through easy cleaning

Curvature elements – DECO-AE

- For the rounding of sharp finishing edges
- Decorative and functional
- Combinable with round shower RELAX-RD and curved shower RELAX-SD, from page 62

- **Special shapes** – alternatively we can also realise your individual planning as a customised product (s. p. 79)





MI



Photo: Simon Callaghan

D LUX ELEMENTS GmbH & Co. KG
An der Schusterinsel 7 · D - 51379 Leverkusen-Opladen
Tel. +49 (0) 21 71/72 12-0
info@luxelements.de

F LUX ELEMENTS S.A.S
ZI-31, rue d'Ensisheim · F - 68190 Ungersheim
Tél. +33 (0) 3 89 83 69 79
info@luxelements.fr



www.luxelements.com