



# SYSTEMS FOR WELLNESS

Programme · effective January 1, 2026

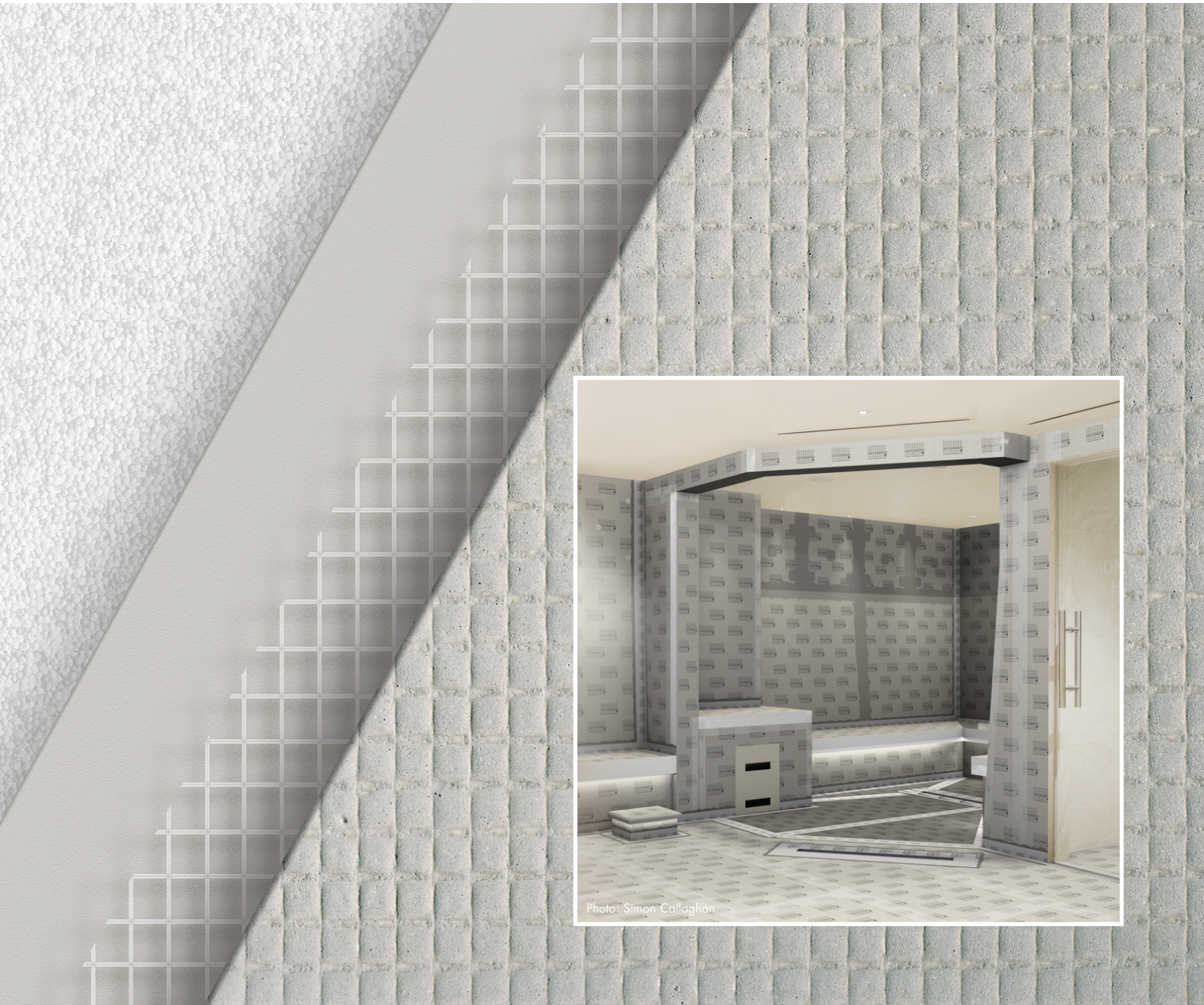


Photo: Simon Callaghan

# Welcome to LUX ELEMENTS



Photo: Simon Collingham



The family-owned company LUX ELEMENTS is an experienced specialist in handling polystyrene hard foam and its further processing into secure substrates for bathrooms and wellness areas.

The product range is based on the ground-breaking invention of company founder Herbert Lux, patented in 1981: 'The Original' – a support element with a core of hard foam and double-sided mortar coating in which a stabilising glass fibre fabric is embedded.

Starting from the construction panel in different thicknesses, the range has been constantly developed and expanded. Today, LUX ELEMENTS offers complete systems for **bathroom and shower, private spa and wellness.**

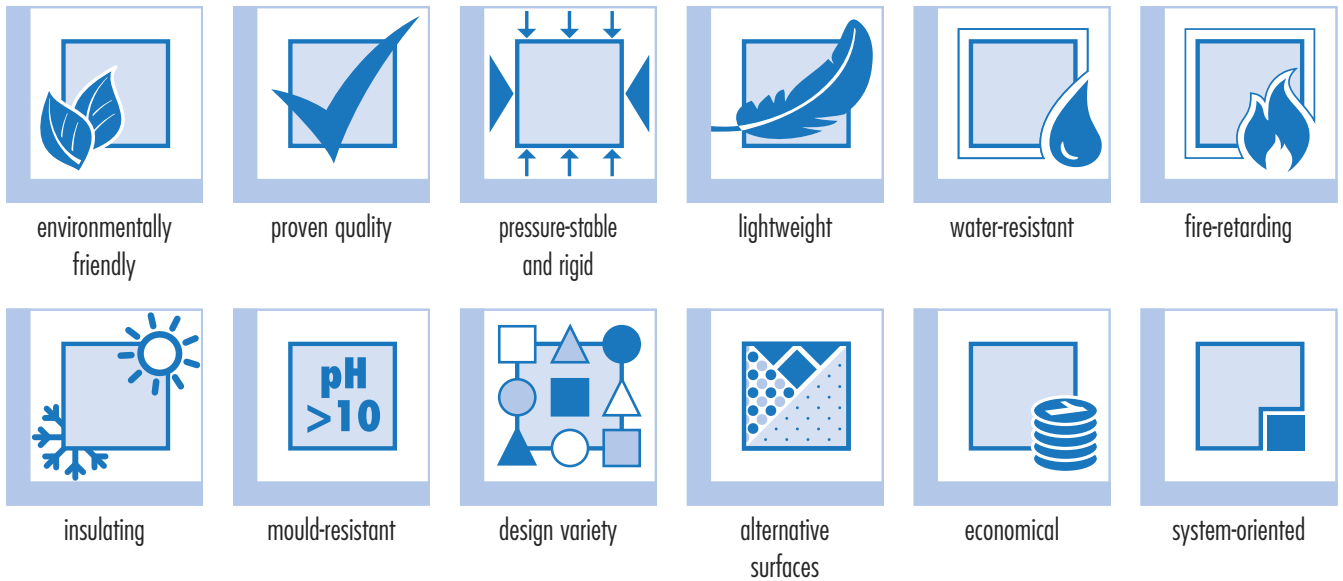


**ISO 9001**  
Certified  
Quality Management System  
[www.tuvsud.com/ms-cert](http://www.tuvsud.com/ms-cert)

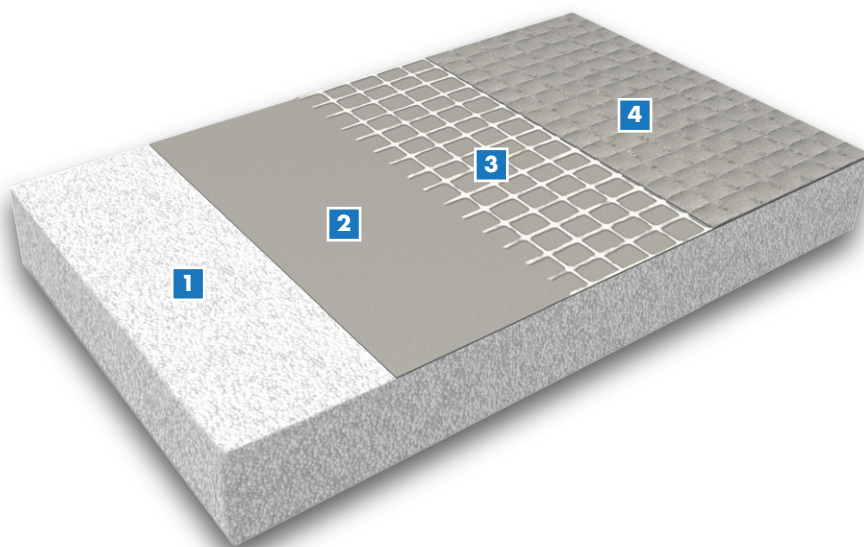
# LUX ELEMENTS® – The original

On account of its outstanding physical properties in combination with very good workability, this moisture-resistant and modern building material creates free space for planners, designers, tradesmen and industry – whether in the form of panels, blanks or ready-made products.

Hard foam support elements from LUX ELEMENTS are characterised by these advantages:



Detailed information on the material properties can be found in the brochure 'Sustainability – The Original can do' (Download from [www.luxelements.com](http://www.luxelements.com) under *Downloads/Information brochure*)



- 1 – Polystyrene hard foam (EPS)
- 2 – Contact mortar layer
- 3 – Glass fibre fabric
- 4 – Coating mortar layer

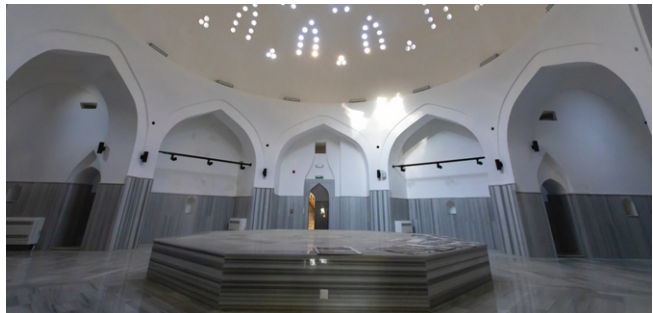
# LUX ELEMENTS – Competence and experience



The 'Systems for Wellness' product range was developed on the basis of LUX ELEMENTS' decades of experience in international wellness facility construction. It includes products for the design and installation of individual spa and wellness projects in both the public and private sector.

## LUX ELEMENTS offers:

- High quality through the checking of all production stages in our own factory
- Many years of experience in the international public and private spa market
- Standard products for bathrooms and spa areas
- Extendable systems and flexible solutions for every room situation

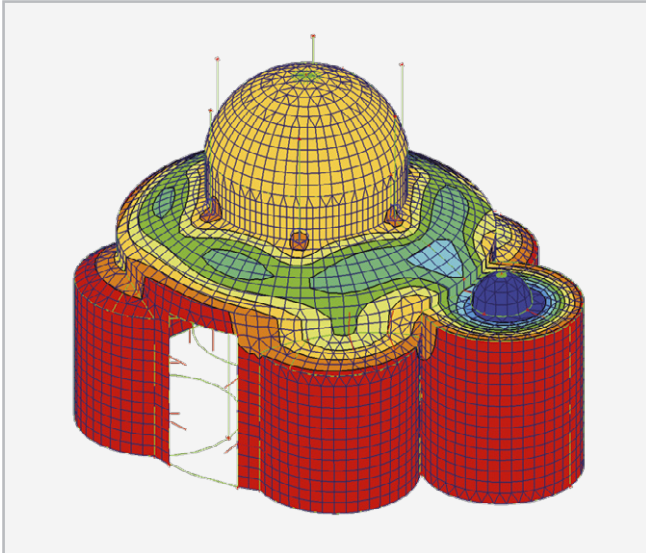


## 'Systems for Wellness' offers:

- Individual room constructions according to the customer's wishes in flexible sizes; round shapes are also possible
- Products for extending the wellness area, from the shower unit to the relaxation lounge
- Individual design through surface design with tiles, plaster or stopping



# LUX ELEMENTS – Services

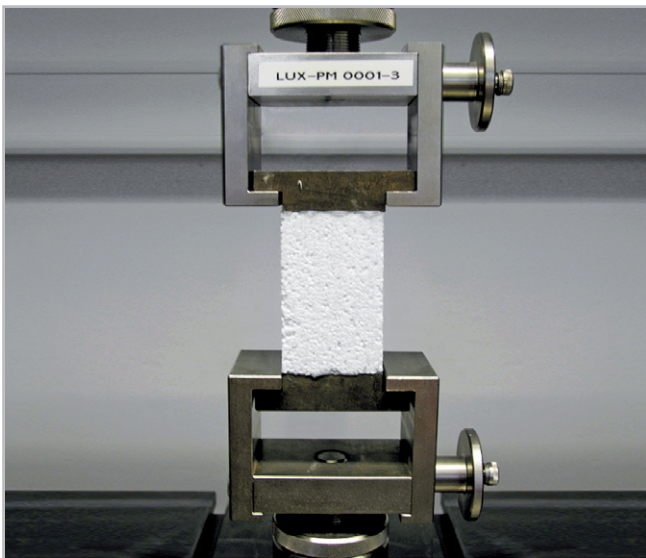


You need ...

## Structural calculations for your room design

LUX ELEMENTS offers:

- Creation of an individual structural calculation based on the specific requirements of your project.
- Support with all technical questions relating to steam baths and similar facilities.

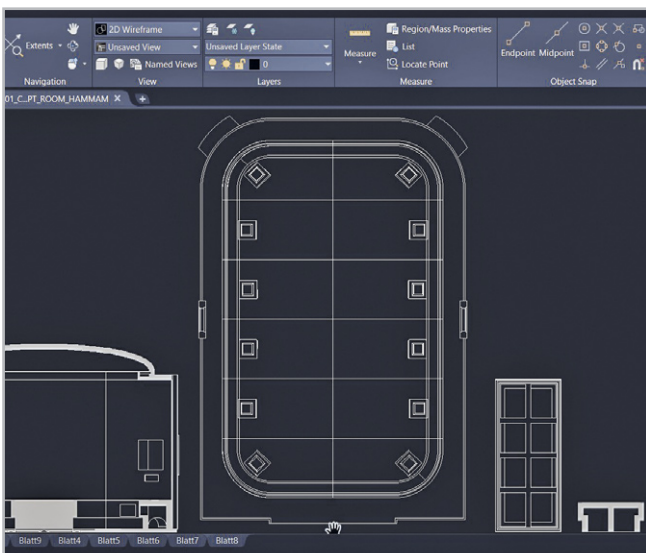


You need ...

## Material and surface tests

LUX ELEMENTS offers:

- Test steam bath – for long-term testing to determine whether a material can withstand use in a steam environment without damage
- Load tests – e.g., simulation of wheelchair use on a floor surface over 25 years with 200 kg
- Adhesion and compressive strength tests – to determine various parameters



You need ...

## Technical drawings

LUX ELEMENTS offers:

- Creation of all necessary drawings in the quotation or order phase
- Support with all technical questions relating to steam baths and similar facilities.

# LUX ELEMENTS – Systems for ...



- Individual room constructions



- Baths and pools



- Components and wellness products

**from page 8**

- Individual room constructions – **LUX ELEMENTS®-CONCEPT ROOM**
- Technical solutions – **LUX ELEMENTS®-ADD TE**
- Heating – **LUX ELEMENTS®-ADD EH / WH**
- Light – **LUX ELEMENTS®-ADD LI**
- Sound – **LUX ELEMENTS®-ADD SO**

**from page 58**

- Walls and floors – **LUX ELEMENTS®-CONCEPT POOL-BE**
- Extensions – **LUX ELEMENTS®-CONCEPT POOL-EW**
- Technical solutions – **LUX ELEMENTS®-CONCEPT POOL-TE**
- Pool heads / overflow channels – **LUX ELEMENTS®-CONCEPT POOL-BK**
- Substructures – **LUX ELEMENTS®-CONCEPT POOL-UK**

**from page 70**

- Round shower – **LUX ELEMENTS®-RELAX RD**
- Curved shower – **LUX ELEMENTS®-RELAX SD**
- Shower units – **LUX ELEMENTS®-RELAX SHOWER**
- Furnishings – **LUX ELEMENTS®-FURNITURE**
- Relaxation loungers – **LUX ELEMENTS®-RELAX RL**
- Decorative elements – **LUX ELEMENTS®-DECO**

# LUX ELEMENTS – Systems for wellness

## Individual room constructions

CONCEPT-ROOM is the system for individual room constructions in freely selectable shapes and sizes. Flexibly usable, e.g. as steam bath or cold room, in both the public and private wellness area.

The system enables:

- The combination of pre-designed components and technical articles
- Completely free planning
- The combination of free planning and standard articles





# ■ Systems for individual room constructions

## Content

### ■ Individual room constructions – LUX ELEMENTS®-CONCEPT ROOM

General Information 10

<b>1</b>	<b>Walls / Glass and profile construction – LUX ELEMENTS®-CONCEPT ROOM-WA / LUX ELEMENTS®-CONCEPT-DOOR</b> .....	12 – 21
	■ ROOM-WA G – Straight walls .....	14
	■ ROOM-WA GF – Straight walls combined with glass mounting parts .....	15
	■ ROOM-WA-R – Free-form walls .....	16
	■ CONCEPT-DOOR – Door frames and glass door .....	18
	■ CONCEPT-DOOR GF – Glass and profile constructions .....	20
<b>2</b>	<b>Floors – LUX ELEMENTS®-CONCEPT-ROOM (U)BO / LUX ELEMENTS®-TUB(-LINE) BA</b> .....	22 – 27
	■ ROOM-BO – Floor elements .....	24
	■ ROOM-UBO – substrate elements .....	24
	■ TUB-BA / TUB-LINE-BA – Floor drain systems and accessories .....	26
<b>3</b>	<b>Roofs – LUX ELEMENTS®-CONCEPT ROOM-DA</b> .....	28 – 35
	■ ROOM-DA FLAT / ROOM-DA MONO – Flat roofs .....	30
	■ ROOM-DA DOM + FLAT – Roofs with dome .....	31
	■ ROOM-DA BARREL – Vaulted roofs .....	32
	■ ROOM-DA CROSS – Roofs with cross vault .....	33
	■ ROOM-DA ... – Roofs with special shapes / Ceiling suspension / Light .....	34
<b>4</b>	<b>Seat variants – LUX ELEMENTS®-CONCEPT-BA</b> .....	36 – 47
	■ CONCEPT-BA S – Bench seats <u>without</u> backrest .....	38
	■ CONCEPT-BA L + CONCEPT-BA S – Bench seats <u>with</u> backrest .....	40
	■ CONCEPT-BA ... – Optional extensions for bench seats .....	42
	■ CONCEPT-BA K – Bench seats with comfort surface .....	44
	■ CONCEPT-BA FLOAT – Bench seat in 'floating' design .....	46

### ■ Technical solutions – LUX ELEMENTS®-ADD

General Information 48

<b>■</b>	<b>Technical solutions – LUX ELEMENTS®-ADD-TE</b> .....	50 – 54
	■ ADD-TE IPA – Installation panel .....	50
	■ ADD-TE REV – Maintenance opening .....	52
	■ ADD-TE DE-T... – Steam inlet .....	53
	■ ADD-TE TF – Millings .....	54
	■ ADD PRO-MAK – Hard plastic insert .....	54
	■ ADD-TE A... – Acceptance of an LED spot mounting sleeve (WDT) .....	54
	■ ADD-TE L... – Acceptance of an empty conduit .....	54
	■ ADD-TE U... – Acceptance of a flush-mounted socket (WDT) .....	54
<b>5</b>	<b>Heating – LUX ELEMENTS®-ADD-EH / LUX ELEMENTS®-ADD-WH</b> .....	
	■ ADD-EH – Electrical heating mat .....	55
	■ ADD-WH / ADD-WH F – Water heating / Milling for water heating .....	55
<b>6</b>	<b>Light – LUX ELEMENTS®-ADD-LI</b> .....	
	■ ADD-LI P / ADD-LI L – LED spotlight / LED light rope .....	56
	■ ADD-LI ... – LED spotlight and LED light rope, accessories .....	56
<b>■</b>	<b>Sound – LUX ELEMENTS®-ADD-SO</b> .....	
	■ ADD-SO KSW – Structure-borne sound converter .....	57

## LUX ELEMENTS

Individual room constructions

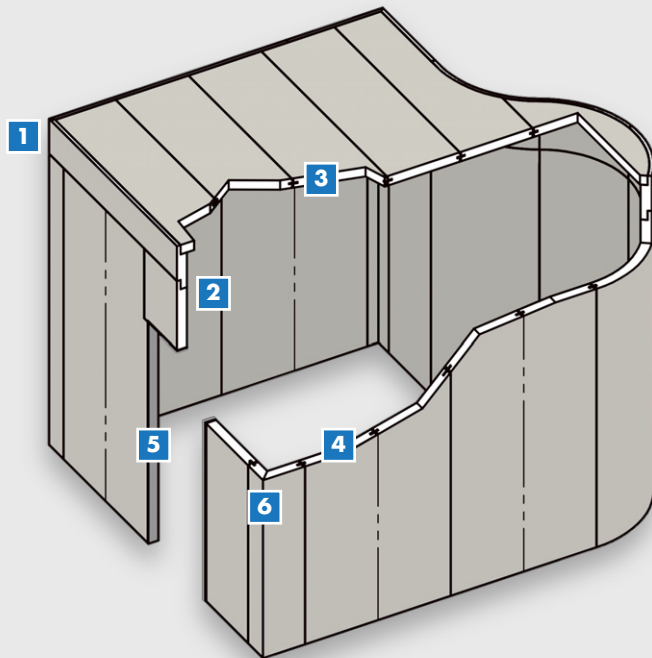
### CONCEPT-ROOM



- Freely combinable building kit for cabins consisting of individual components
- Matching heating equipment and lighting
- Complete mounting accessories as a kit, tailored to the cabin dimensions
- Optional technical accessories e.g. steam inlet, installation panel or flush-mounted box

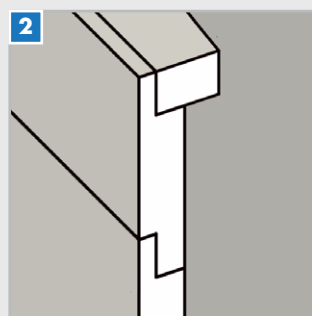
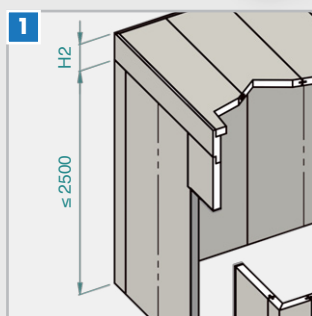


## ■ Technical information concerning connections

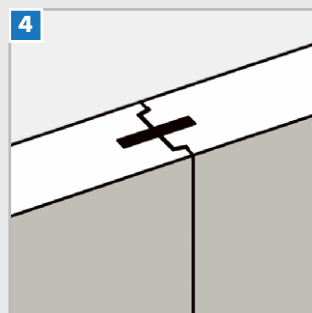
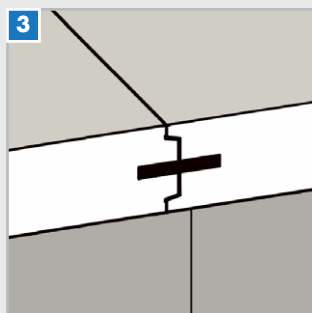


The method of construction for the connection of the individual components ensures decisive advantages:

- Fast and simple assembly thanks to optimised fitting accuracy of the elements
- High production accuracy thanks to the use of state-of-the-art cutting technologies

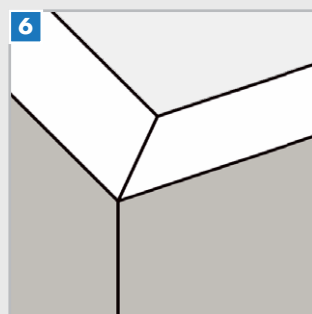
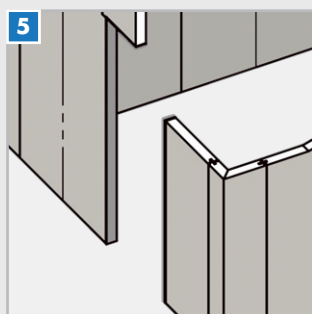


- Flexible wall height: panel length up to 2500 mm, higher walls possible by using wall extension
- Wall extension and roof support with step seam



- Particularly stable panel connection thanks to tongue and groove principle
- Selflevelling panel connection thanks to V-groove

**PLEASE NOTE:** Design varies depending on the wall thickness, pictures show the design with a wall thickness of 50 mm.



- Stable fastening option for the door profile thanks to ADD PRO-MAK over the entire panel width (circumferential on 3 sides of the door opening)
- Corners glued in the factory



# Walls

Hard foam support elements from LUX ELEMENTS enable you to create individual rooms or areas for wellness and spa facilities. The material is suitable for use as a hot, warm or cold air room. It is delivered in segments, which are assembled on site. A sophisticated method of construction for the connection of the individual components ensures **high stability**.

The final surface design with selected ceramics or plaster produces an individual room that radiates a feeling of harmony and comfort.

These variants are possible for the wall design:

- **Straight walls**  
for square or rectangular rooms
- **Straight walls combined with glass mounting parts**  
for square or rectangular rooms, combined with glass mounting parts
- **Free-form walls**  
for all room shapes

# Glass and profile construction

A glass front in conjunction with a glass door creates a transparent room construction with more incidence of light from the outside. In addition, it gives the room a modern look.

The system for glass and profile constructions from LUX ELEMENTS can be combined with hard foam support elements or used on its own.

The range consists of these parts:

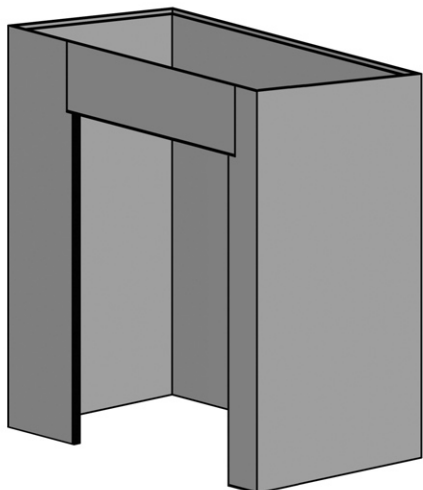
- Aluminium door frames (block profile or flat profile)
- Glass door with drilling for door hinges and handle
- Aluminium door knob or stainless steel handle bar
- Profile construction
- Frame construction
- Glass elements



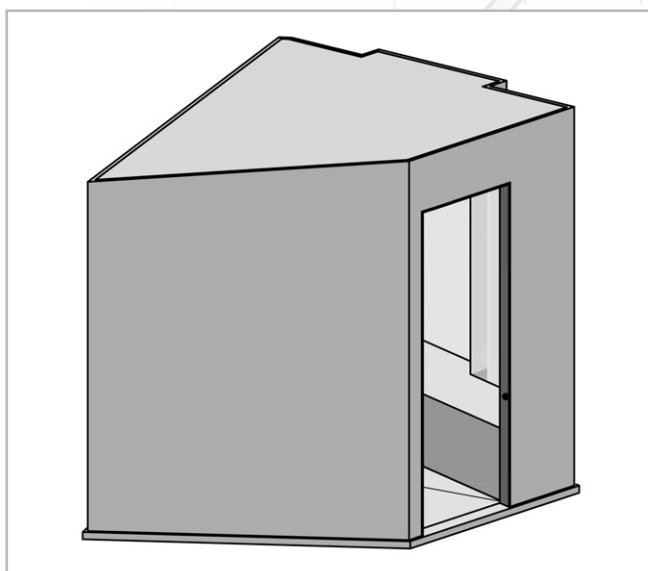
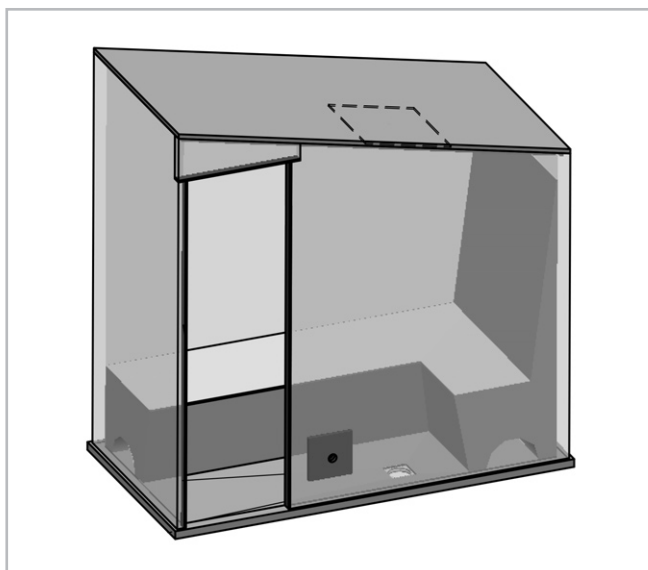
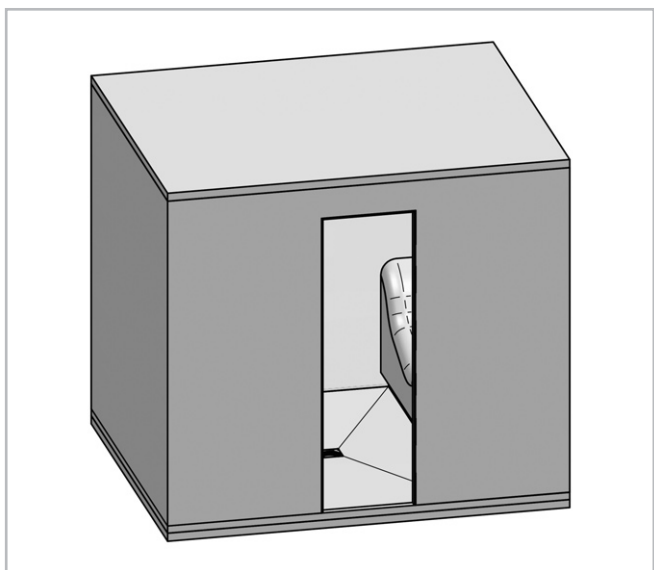
## LUX ELEMENTS

Straight walls

### ROOM-WA G

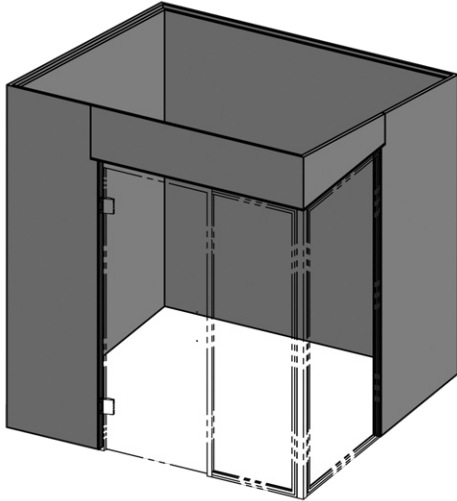


- Walls made of straight hard foam support elements for square or rectangular rooms
- Wall thickness 50 or 80 mm
- Accessories (optional):  
Individually compiled assembly material

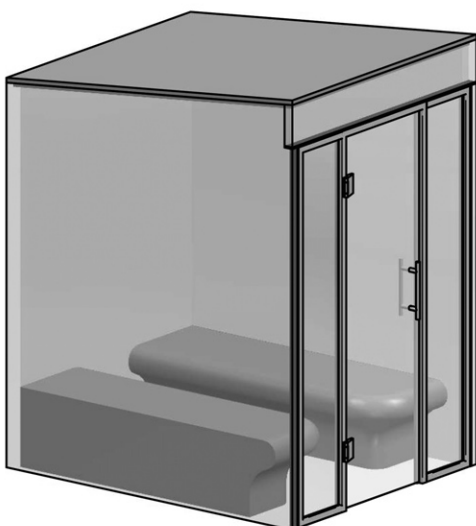
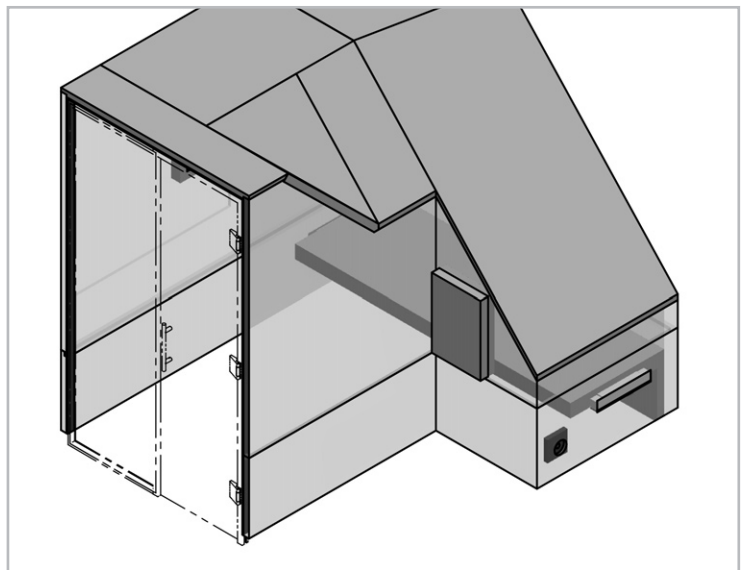
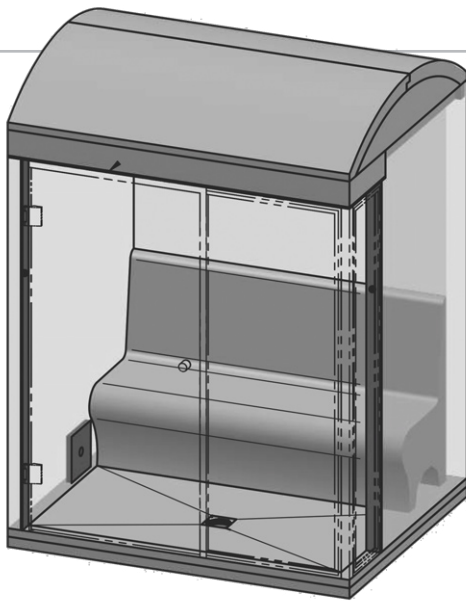


Straight walls combined with glass mounting parts

**ROOM-WA GF**



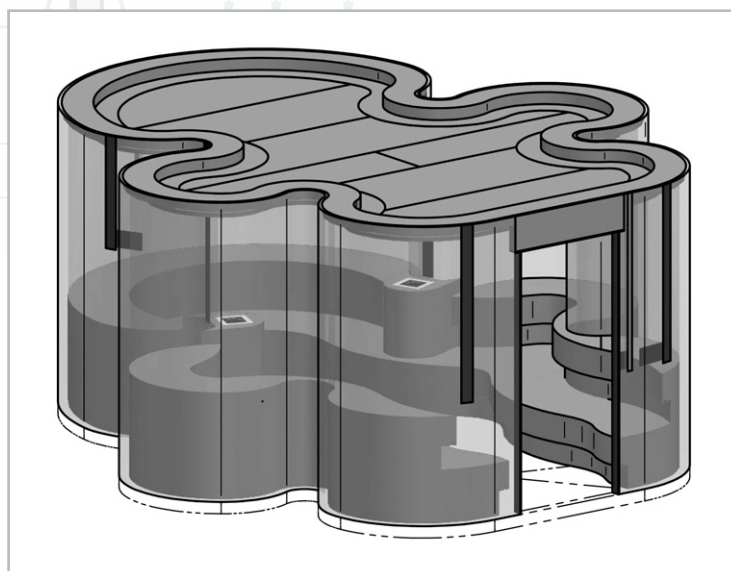
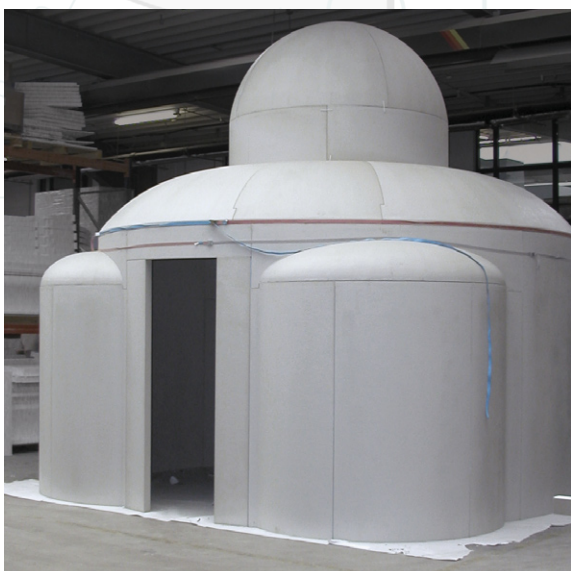
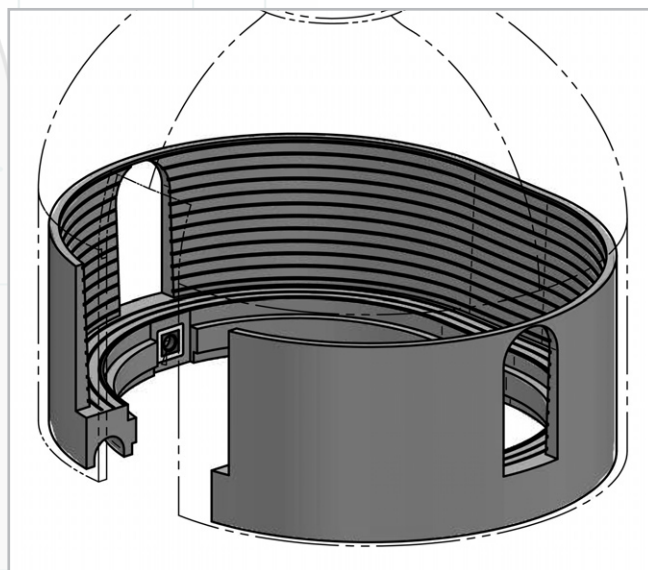
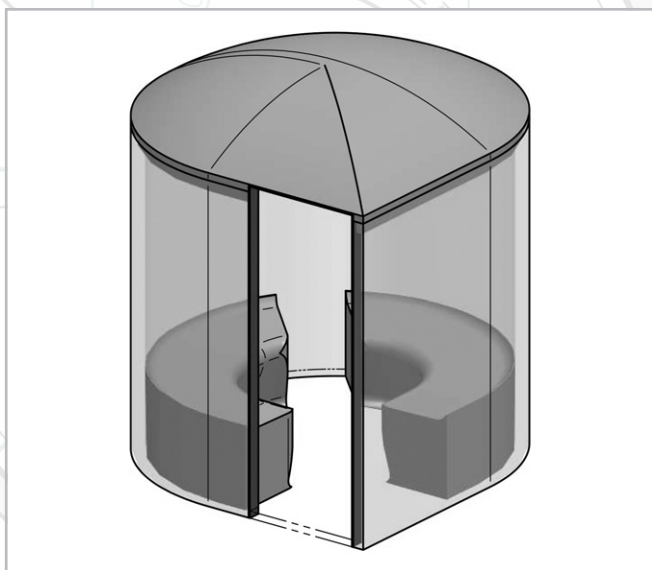
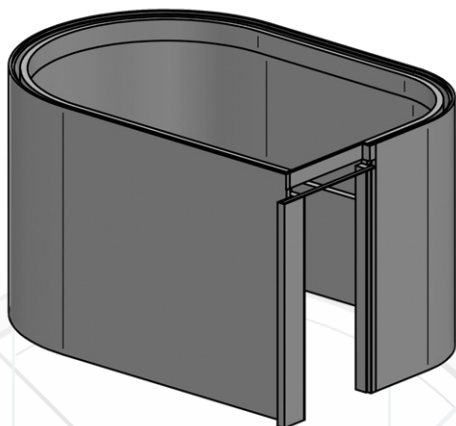
- Walls made of straight hard foam support elements for square or rectangular rooms, combined with glass mounting parts
- Wall thickness 50 or 80 mm
- Accessories (optional):  
Individually compiled assembly material



## LUX ELEMENTS

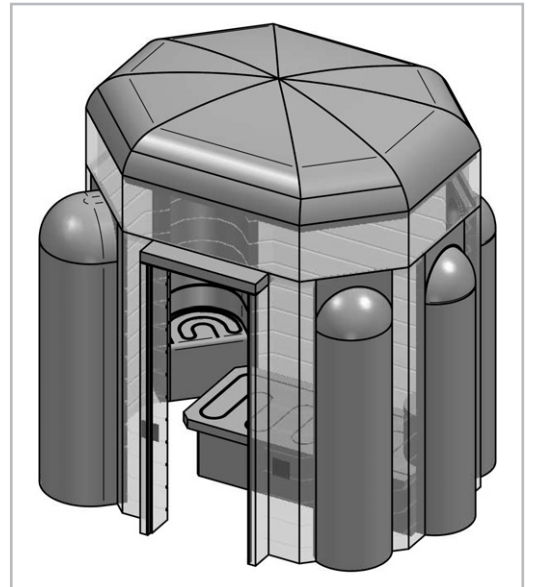
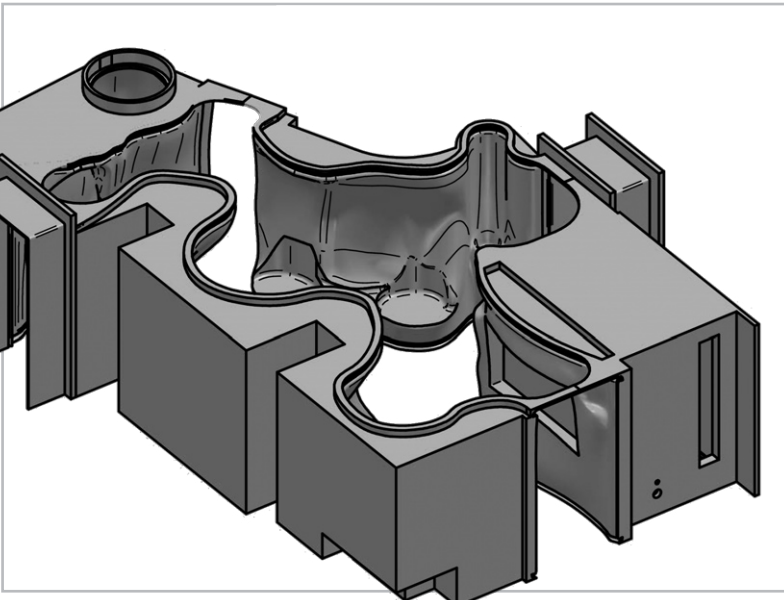
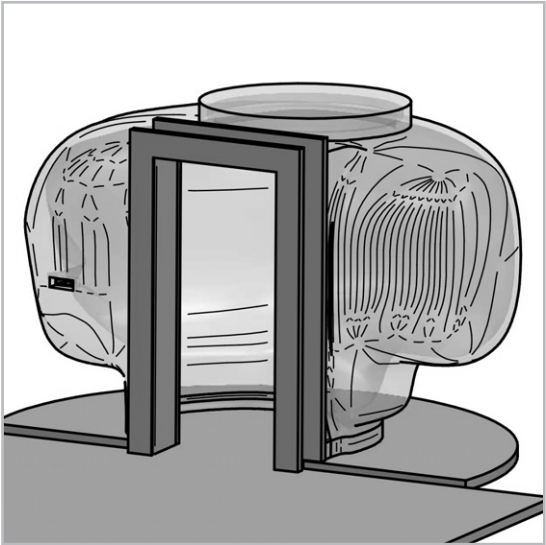
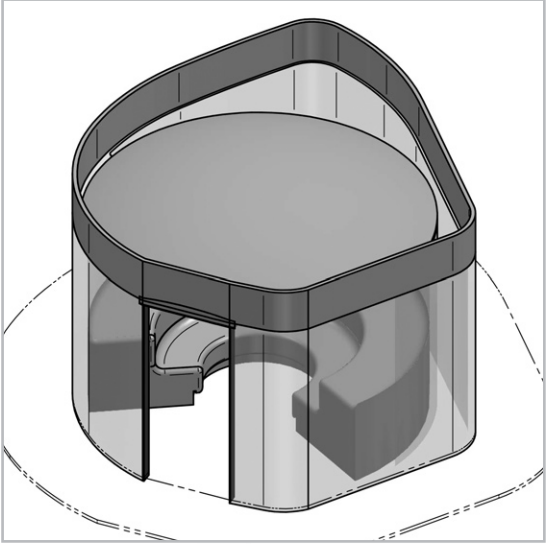
### Free-form walls **ROOM-WA R**

- Walls made of rounded or straight hard foam support elements for all room shapes
- Wall thickness 50 or 80 mm
- Combinable with glass mounting parts
- Accessories (optional):  
Individually compiled assembly material





INDIVIDUAL ROOM CONSTRUCTIONS  
WALLS



## LUX ELEMENTS

### Door frames and glass door

#### CONCEPT-DOOR



#### Door frames – CONCEPT-DOOR-TZ B/F

- Aluminium door frames, made to measure, anodised, with locking mechanism and hinges for glass doors
- Block profile or flat profile (also available in standard size)
- Surface polished similar to stainless steel

#### Glass door – CONCEPT-DOOR-GT

- Tempered safety glass (ESG), 8 mm, made to measure or standard size
- Incl. drilling for door knob or handle bar

#### Door knob – CONCEPT-DOOR-TK

- Aluminium, Similar to stainless steel, polished

#### Handle bar – CONCEPT-DOOR-GS

- Stainless steel, brushed

#### Surface – CONCEPT-DOOR-TZ B and F



Surface polished similar to stainless steel, anodised (standard)

**PLEASE NOTE:** The profile construction is available in this colour (... or on request also in your personal colour of choice).

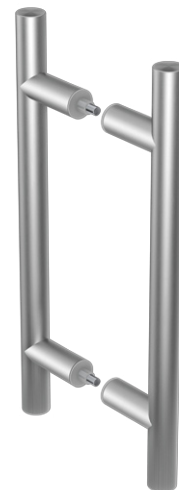
#### ■ Glass door (ESG) – CONCEPT-DOOR-GT



#### ■ Door knob – CONCEPT-DOOR-TK



#### ■ Handle bar – CONCEPT-DOOR-GS



■ Block profile – **CONCEPT-DOOR-TZ B**



■ Flat profile – **CONCEPT-DOOR-TZ**



■ Door hinge – **CONCEPT-DOOR-TZ B**



■ Angle connector – **CONCEPT-DOOR-TZ B**



■ Door hinge – **CONCEPT-DOOR-TZ F**

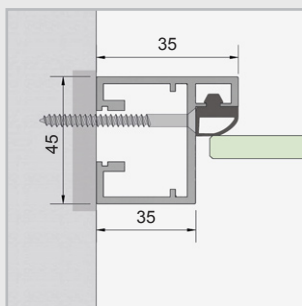


■ Angle connector – **CONCEPT-DOOR-TZ F**

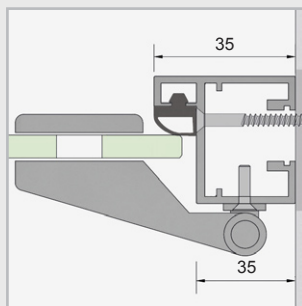


■ **Wall connections**

**CONCEPT-DOOR-TZ B – block profile**

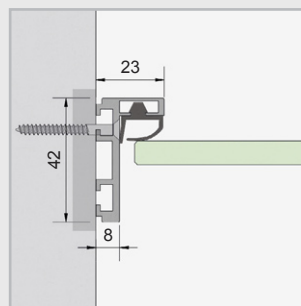


Frame profile

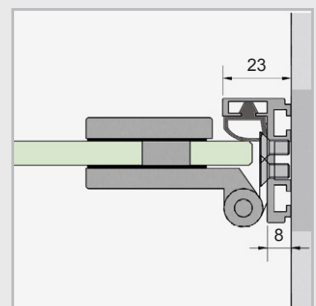


Frame profile, door hinge

**CONCEPT-DOOR-TZ F – flat profile**



Frame profile



Frame profile, door hinge

## LUX ELEMENTS

### Glass and profile constructions

#### CONCEPT-DOOR GF



Offers individual room constructions the greatest transparency: Combination of profile frames with block frames including glass door hinges as well as 8 mm tempered safety glass (ESG) panes.

#### Profile construction – CONCEPT-DOOR-GFZ

- Aluminium, anodised

#### Frame construction – CONCEPT-DOOR-GFR

- Aluminium, anodised,  
frame profile for window opening

#### Glass elements – CONCEPT-DOOR-GFG

- Tempered safety glass (ESG), 8 mm to fit GFZ/  
GFR combination, if necessary including holes  
for handle/door knob/door hinge

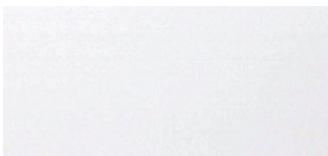
#### Oberflächen – CONCEPT-DOOR-GFZ und GFR



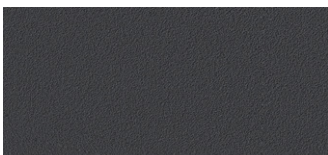
Surface polished  
similar to stainless steel,  
anodised (standard)



Matt silver  
EV 1



Paint, white  
RAL9016

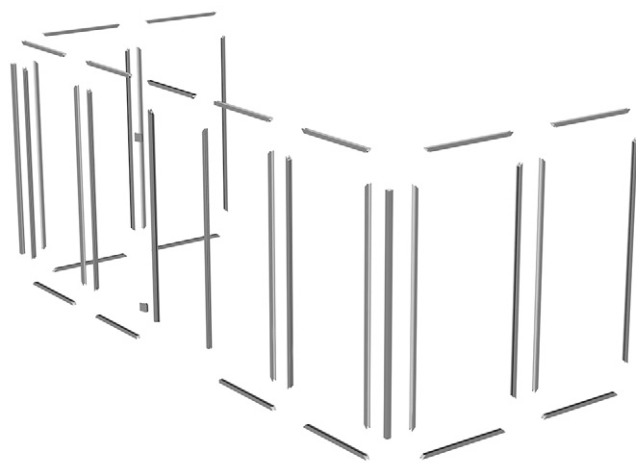


Dark grey metallic metallic  
DB703

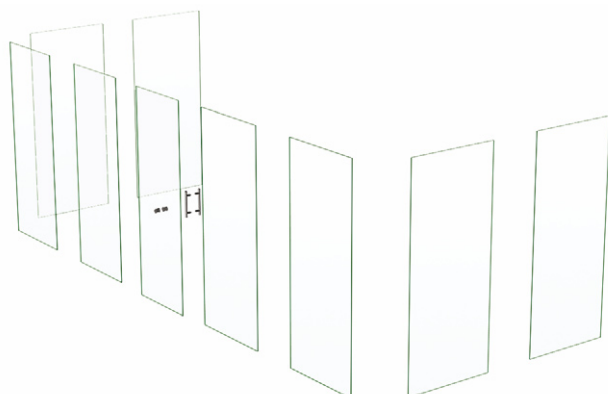


Deep black matt  
RAL 9005

#### ■ Profile construction – CONCEPT-DOOR-GFZ



#### ■ Glass elements – CONCEPT-DOOR-GFG



**PLEASE NOTE:** The profile constructions are available in these colours:  
(... or on request also in your personal colour of choice)

■ Block profile –  
**CONCEPT-DOOR-GFZ and GFR**



■ Door hinge



■ Angle connector



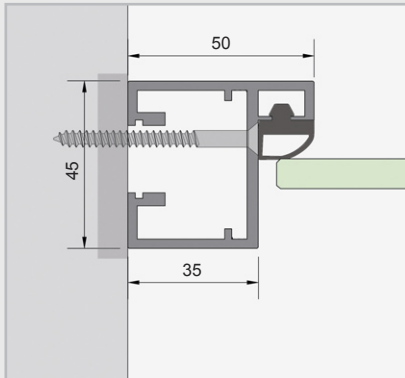
■ Floor holding bracket



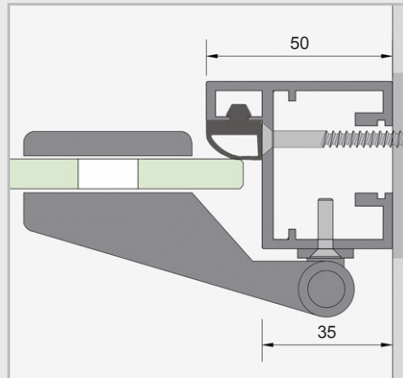
■ Frame fastening



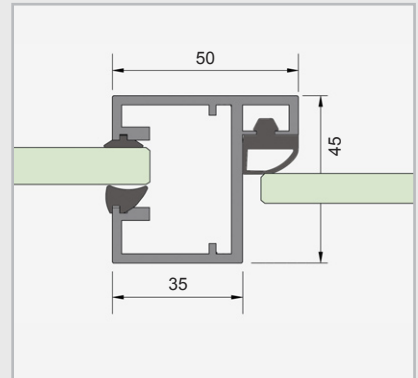
■ Wall connection, connection details



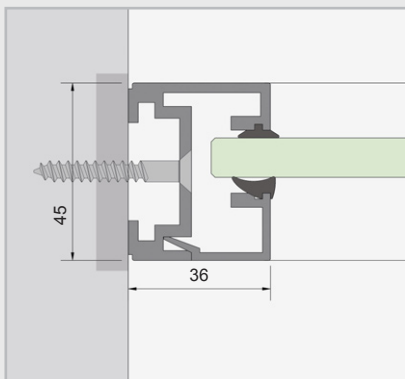
Frame profile



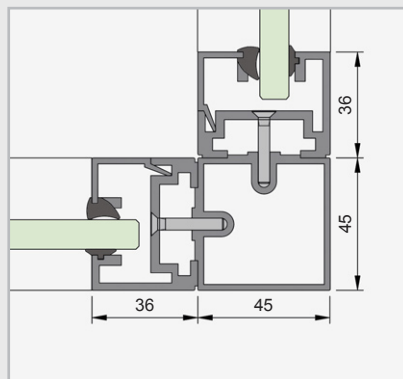
Frame profile, door hinge



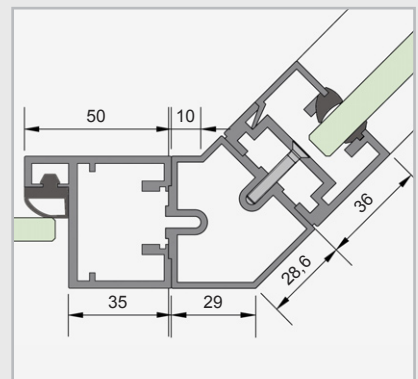
Frame profile, connection wall profile



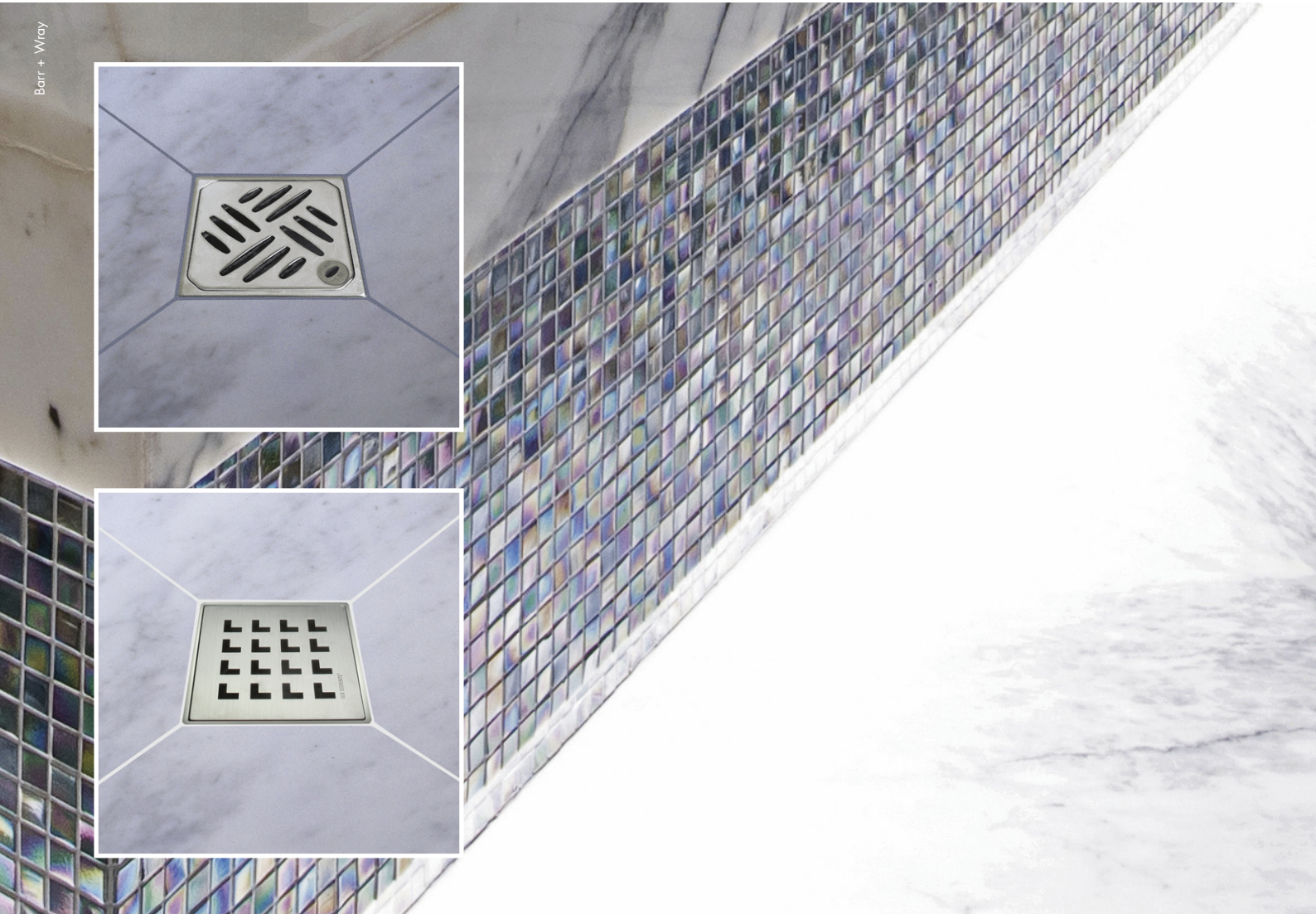
Wall profile



2x wall profile with corner profile 90°



Frame profile with corner profile 135°+ wall profile



# Floors

A floor made of hard foam support material creates the perfect substrate for tiles and you can thus adapt them optically to the design of the room. LUX ELEMENTS manufactures floors in the wet area with point and linear drainage variants. If you opt for point drainage, you can choose between six decorative design grates, including a model with a locking system.

The linear drainage also features an attractive design solution that lends itself, for example, to installation in niches: here, the stainless steel channel cover is optically extended to the wall. Of course, you can also choose the classic channel drain with a cover that is tileable on the rear side.

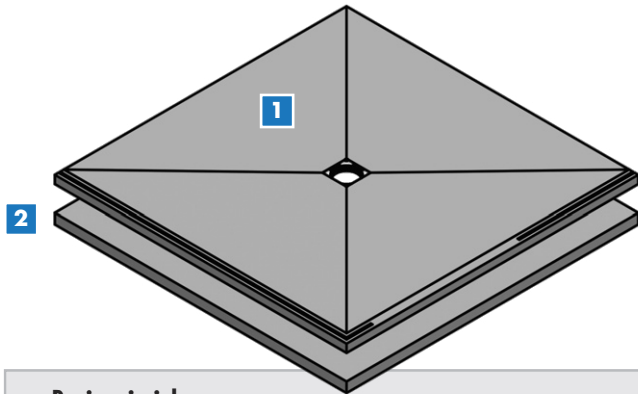
**The rule for all variants is: the floors are sealed and have a gradient.**



## LUX ELEMENTS

Floor elements and substrate elements

### ROOM-BO and ROOM-UBO



#### ■ Basic principle

**1** – Floor element, hard foam support material

**2** – Substrate element, fits the floor element, 55 mm thick

#### Floor elements – ROOM-BO

- With prefabricated gradient (30/45 mm) and factory sealed
- For point or linear drainage by choice

#### Substrate elements – ROOM-UBO

- 55 mm thick
- Accessories (optional): Individually compiled assembly material

#### ■ Point drainage / Linear drainage



#### Point drainage – TUB

- Integrated and sealed floor drain support frame
- Height-adjustable for optimum adaptation to covering thickness
- For barrier-free construction
- Secure click system for fastening the drain connection fitting
- Second drainage level
- Floor drain systems and accessories  
Details → page 26/27

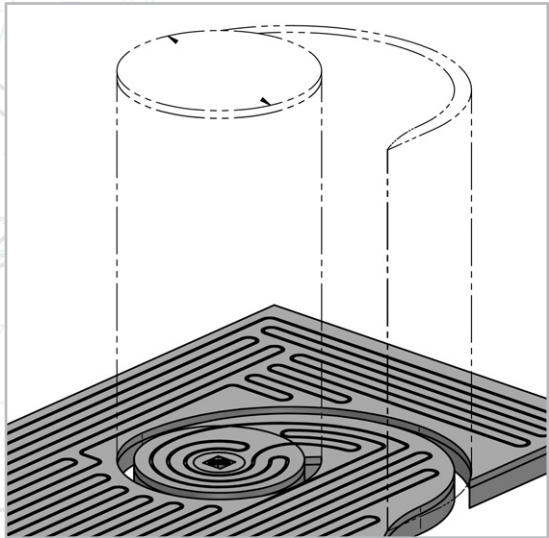
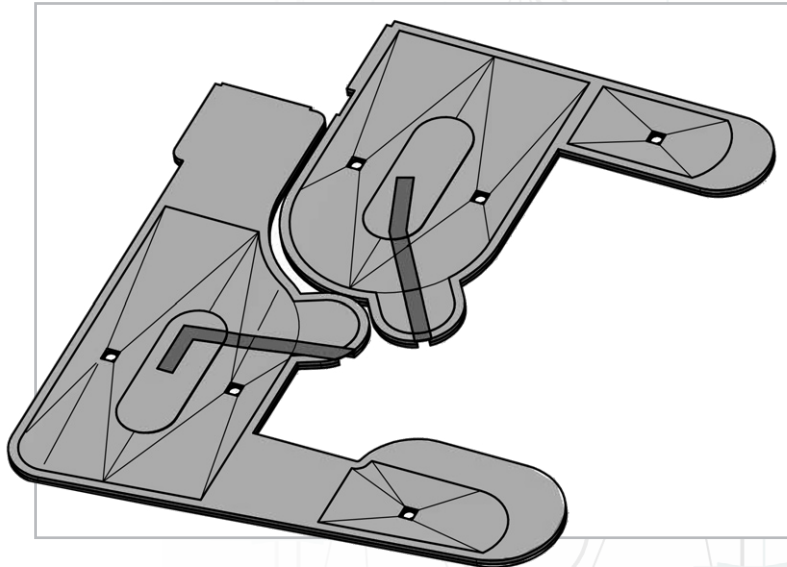
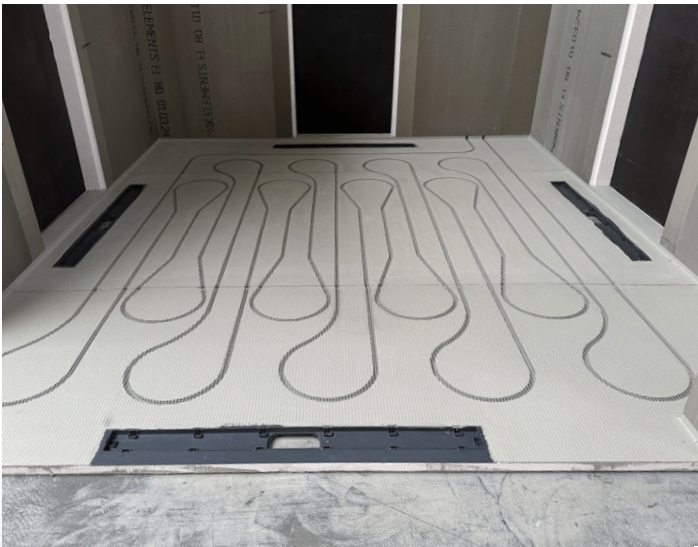
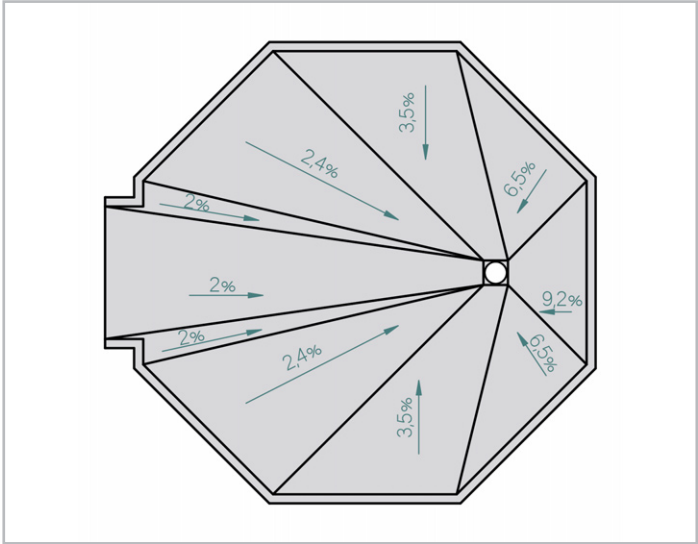
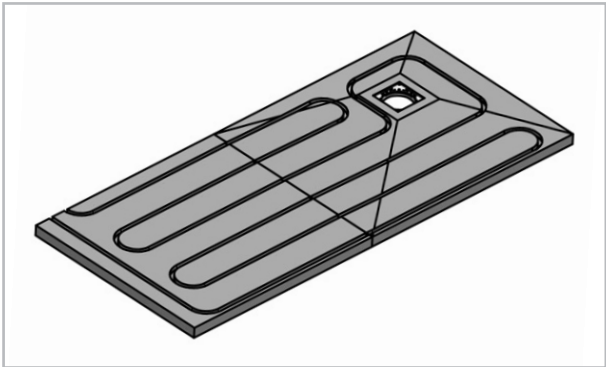
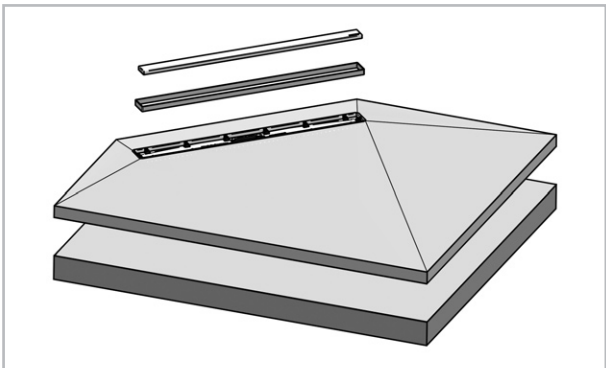
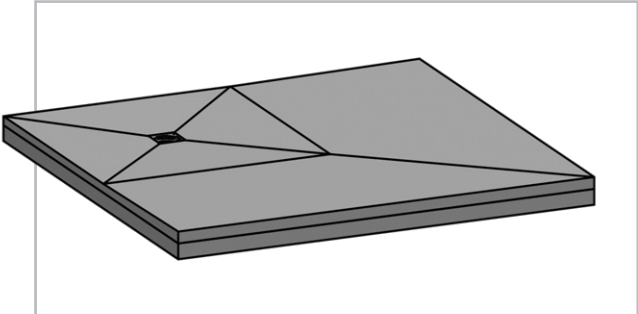


#### Linear drainage – TUB-LINE

- Integrated and sealed floor channel drain
- Reversible channel cover rail offers two design options
- Clean tiling with tiling aid
- Height-adjustable for optimum adaptation to covering thickness
- For barrier-free construction
- Secure click system for fastening the drain connection fitting
- Second drainage level
- Floor drain systems and accessories  
Details → page 26/27



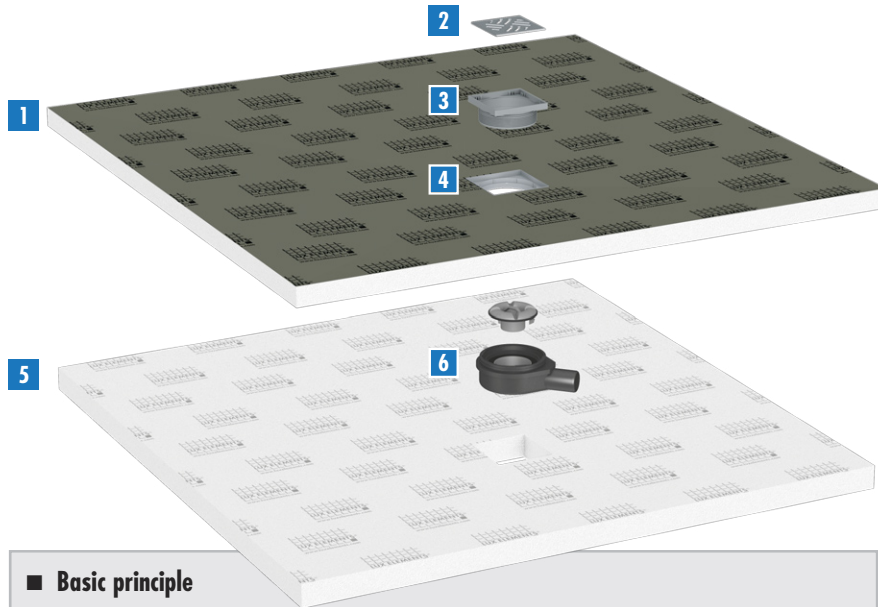
**INDIVIDUAL ROOM CONSTRUCTIONS  
FLOOR ELEMENTS AND SUBSTRATE ELEMENTS**



# LUX ELEMENTS

## Point drainage

### TUB



#### Basic principle

- 1 – Floor element, hard foam support material, prefabricated gradient and factory sealed
- 2 – Grate, standard or design
- 3 – Grate fitting frame, individual height adjustment to covering thickness
- 4 – Floor drain support frame, integrated and sealed in the factory
- 5 – Substrate element (optional), fits the floor element
- 6 – Floor drain support, horizontal or vertical, incl. odour trap



■ TUB-RA-S  
Standard\*

■ TUB-RA-DA  
ANGOLO



■ TUB-RA-DC  
CUBE



■ TUB-RA-DM  
MARE



■ TUB-RA-DL  
LUMEN



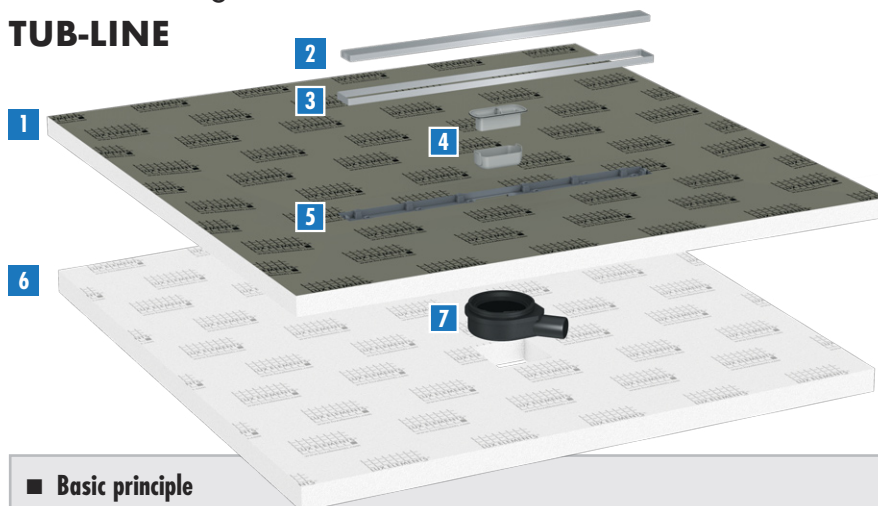
■ TUB-RA-DV  
VARI\*, tileable



\* also available with locking system

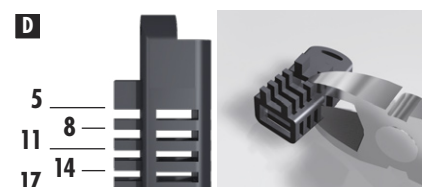
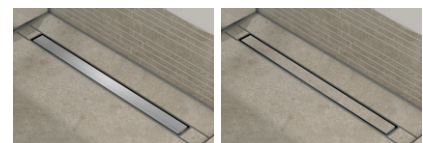
## Linear drainage

### TUB-LINE



#### Basic principle

- 1 – Floor element, hard foam support material, prefabricated gradient and factory sealed
- 2 – Cover rail, brushed stainless steel, tileable on the rear side or to be shortened continuously
- 3 – Tiling aid, brushed stainless steel, for clean tiling
- 4 – Odour trap, integrated into the drain frame
- 5 – Floor channel drain, factory-installed and sealed, incl. height adapter (an be cut as required) and click system for the firm connection with separate drain support
- 6 – Substrate element (optional), fits the floor element
- 7 – Floor drain support, horizontal or vertical, incl. odour trap



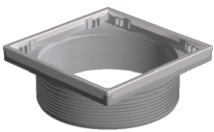
Floor drain systems – point and linear drainage

**TUB-BA / TUB-LINE BA**

- **TUB-RA ...**  
grate fitting frame



Standard – made from ABS,



Design – made from ABS,  
with frame made of stainless steel

- e.g. ■ **TUB-BA-S**  
DN50



- e.g. ■ **TUB-BA-S 100**  
DN40/DN50



- e.g. ■ **TUB-BA-W**  
DN50



Drainage capacity in accordance with DIN EN 1253 [l/s]:

Point drainage – **TUB**

Standard odour trap DN50, vertical:

- e.g. **TUB-BA-S**  
with standard grate: 1,7 l/s

- e.g. **TUB-BA-S 100**  
with standard grate: 1,2 l/s

Standard odour trap DN50, horizontal:

- e.g. **TUB-BA-W**  
with standard grate: 1,0 l/s

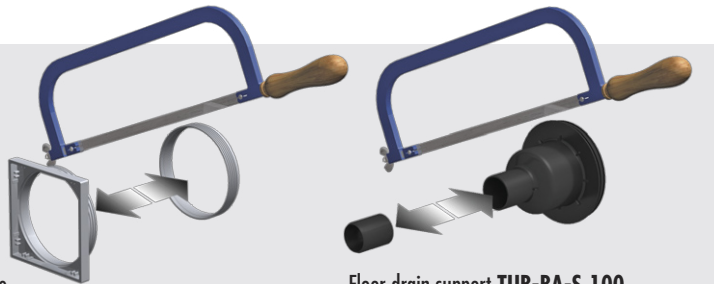
Linear drainage – **TUB-LINE**  
vertical:

- **TUB-LINE BA-S**: 0,8 l/s

horizontal:

- e.g. **TUB-LINE BA-W 22**: 0,8 l/s

- **Cutting to length of ...**



Grate fitting frame – universal height adjustment to the covering thickness

Floor drain support **TUB-BA-S 100** – easy cutting to size from DN 40 to DN 50

- A** Reversible cover rail –  
2 design variants  
- brushed stainless steel and  
- tileable rear side

- B** Extended cover rail –  
can be shortened continuously

- C** tiling aid –  
brushed stainless steel, for clean tiling

- D** Height adapter –  
height adjustable from 5 – 17 mm

Floor drain systems – point and linear drainage, accessories

**TUB-BAZ / TUB-LINE BAZ**

- e.g. ■ **TUB-BAZ STOP\***



- e.g. ■ **TUB-BAZ HS\***



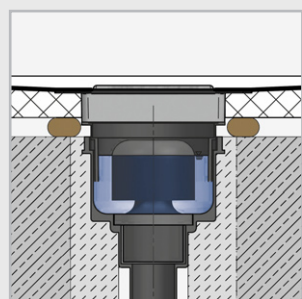
- e.g. ■ **TUB-BAZ DN50/40**



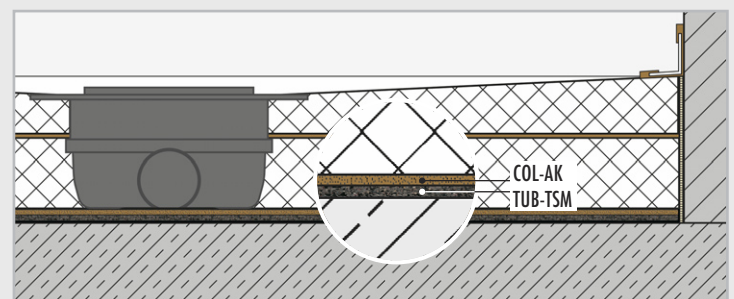
- Odour, foam and vermin barrier\*
- Removable hair trap\*
- Various adapter – e.g. reducer, DN50 to DN40
- Fire-protection set
- Impact sound insulating mat – two thicknesses, 6 and 12 mm

\* Can also be retrofitted to existing installed drains

- e.g. ■ **TUB-BAS-S FIRE STOP**



- **TUB-TSM**



# Roofs

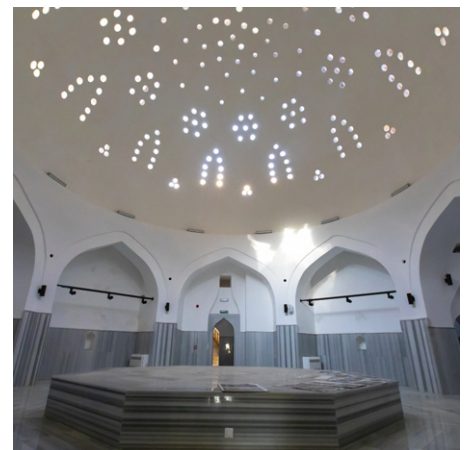
The roof shape in a wellness room must meet not only visual but also functional requirements. In a steam bath, for example, care must be taken in the planning to ensure that condensed water can run off.

In addition, the roof has an effect on the room atmosphere. Rounded roof shapes such as dome roofs or barrel vaults are used to create a generous ambience. Those who favour straight lines will choose a monopitch or flat roof.

LUX ELEMENTS is able to manufacture all shapes. Lighting technology can also easily be integrated into the hard foam support elements.

The following design variants are available:

- Flat roof
- Roof with dome
- Vaulted roof
- Roof with cross vault





Barr + Wray

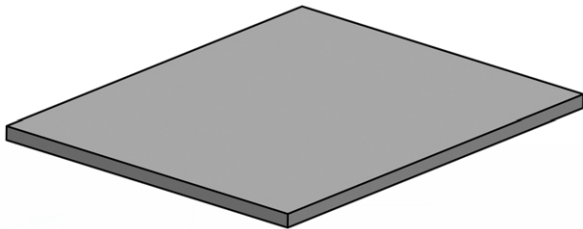
Barr + Wray

## LUX ELEMENTS

Flat roof

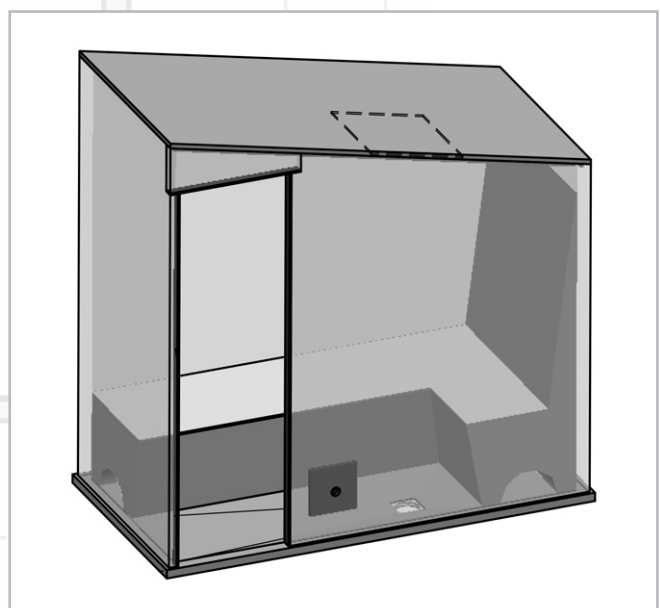
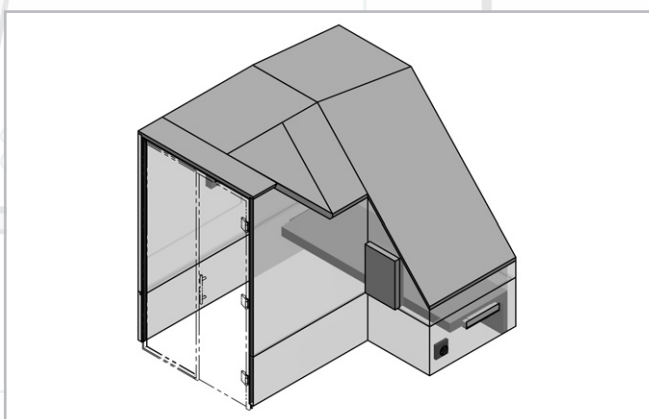
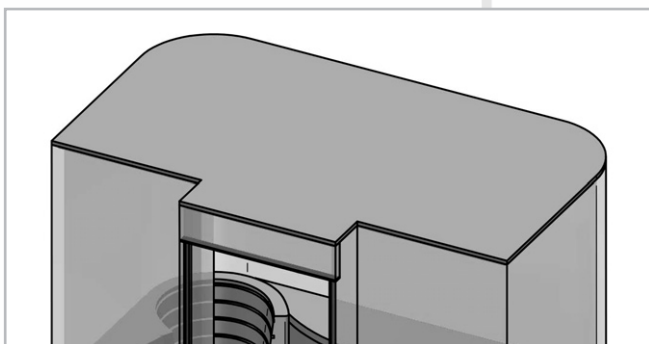
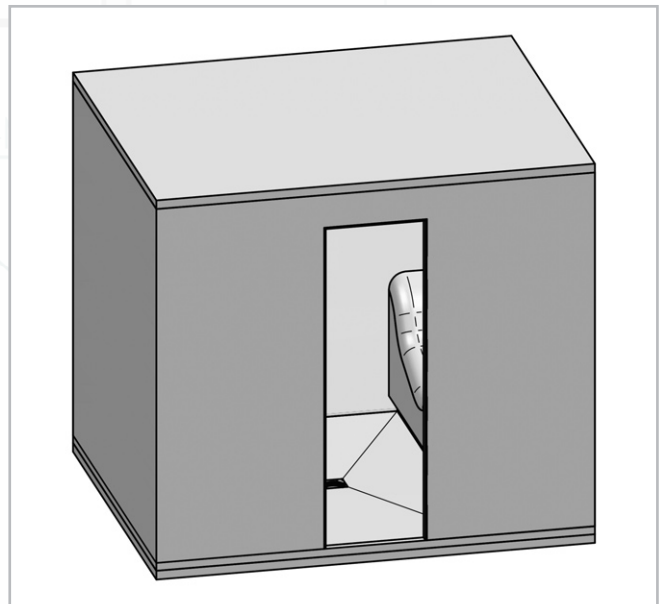
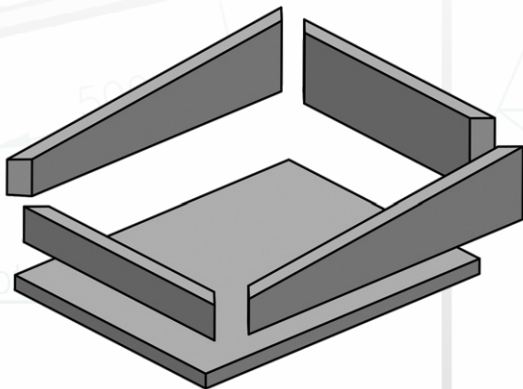
### ROOM-DA

Simple flat roof shape – **CONCEPT-DA FLAT**



- Standard thickness 50 or 80 mm, fits the wall
- Substrate preparation possible, e.g. for the screwed connection of shower heads or suspensions

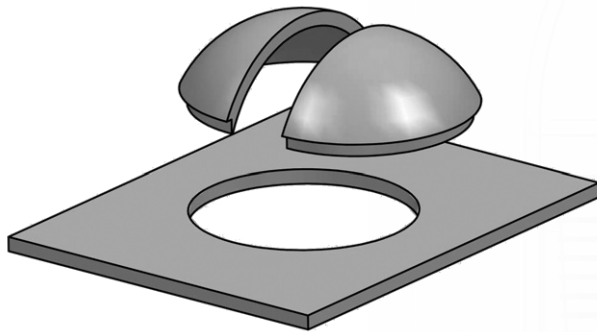
Monopitch roof with panel – **CONCEPT-DA MONO**



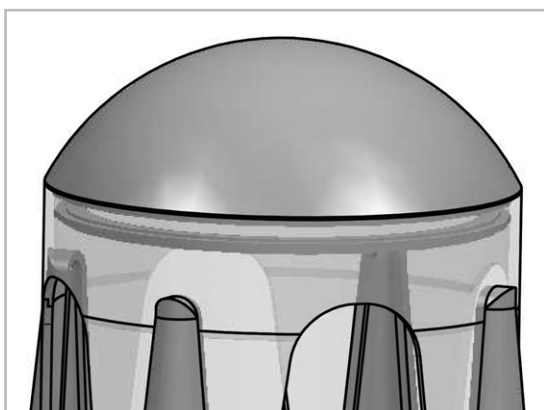
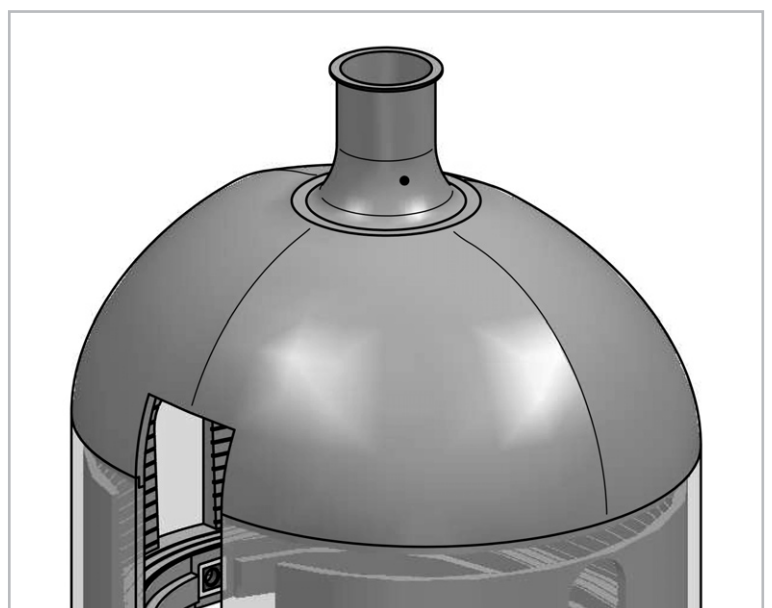
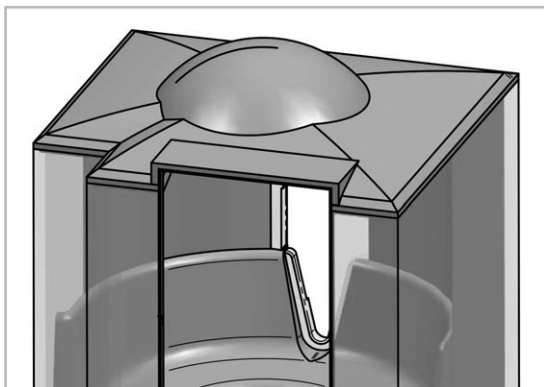
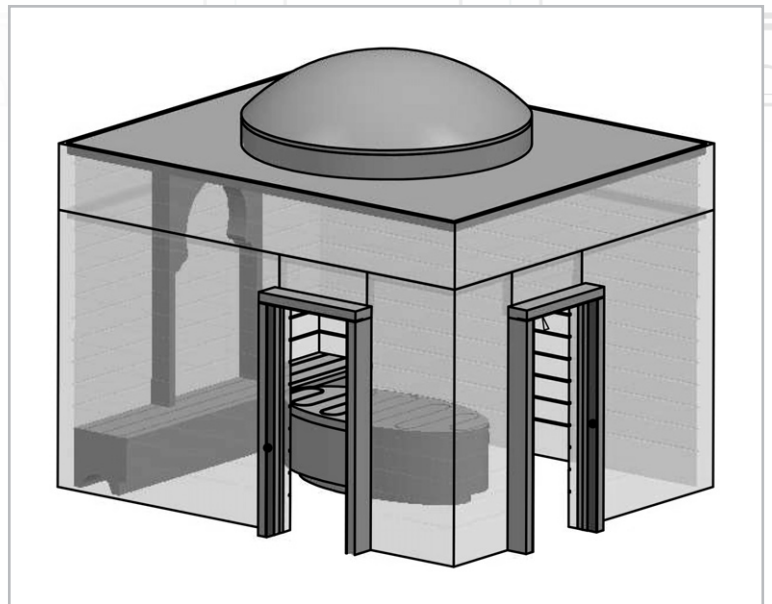
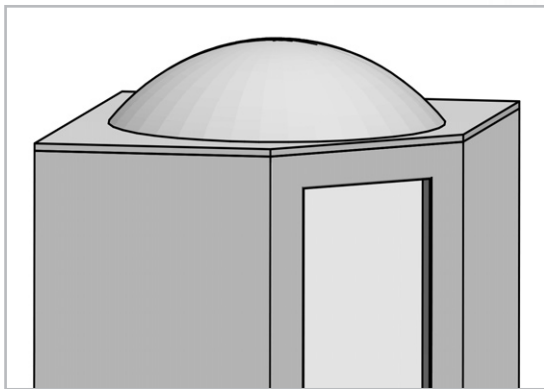
Roof with dome

**ROOM-DA**

Combination of flat roof and dome – **CONCEPT-DA DOM + FLAT**



- Standard thickness 50 or 80 mm, fits the wall
- Substrate preparation possible, e.g. for the screwed connection of shower heads or suspensions

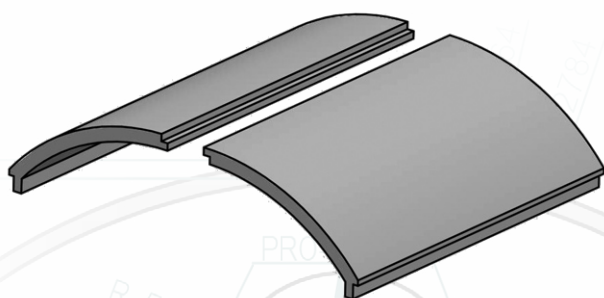


## LUX ELEMENTS

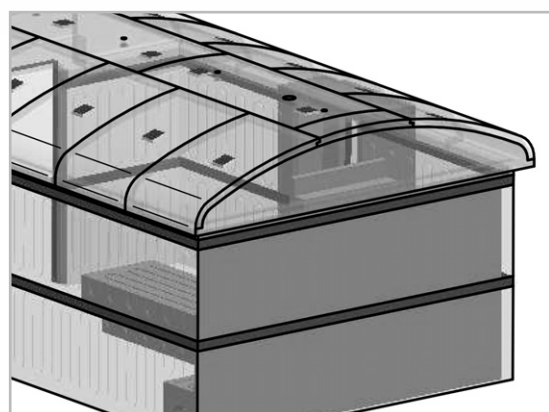
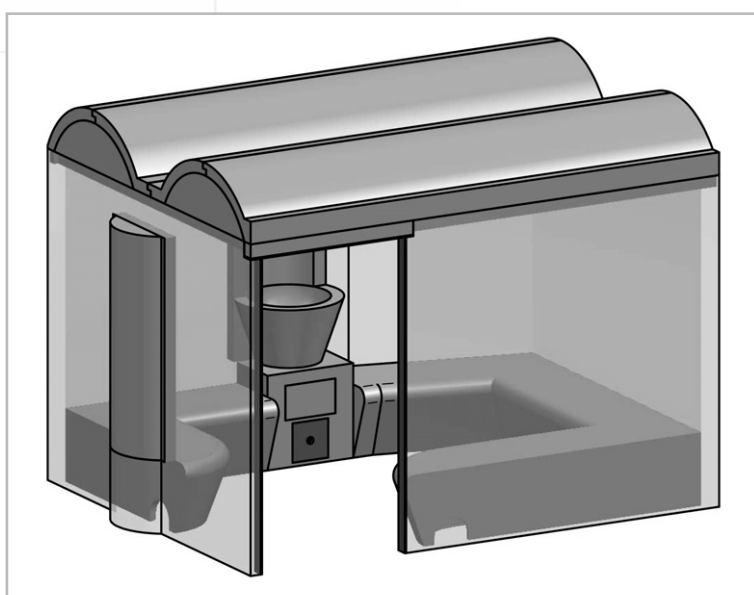
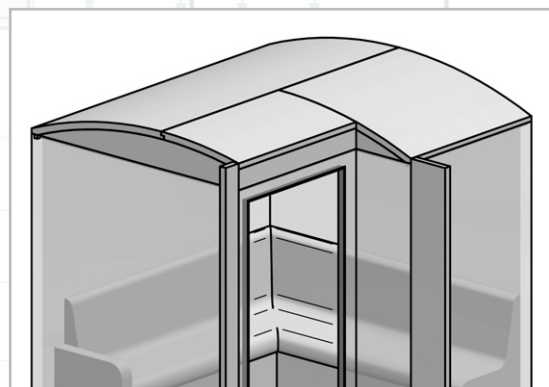
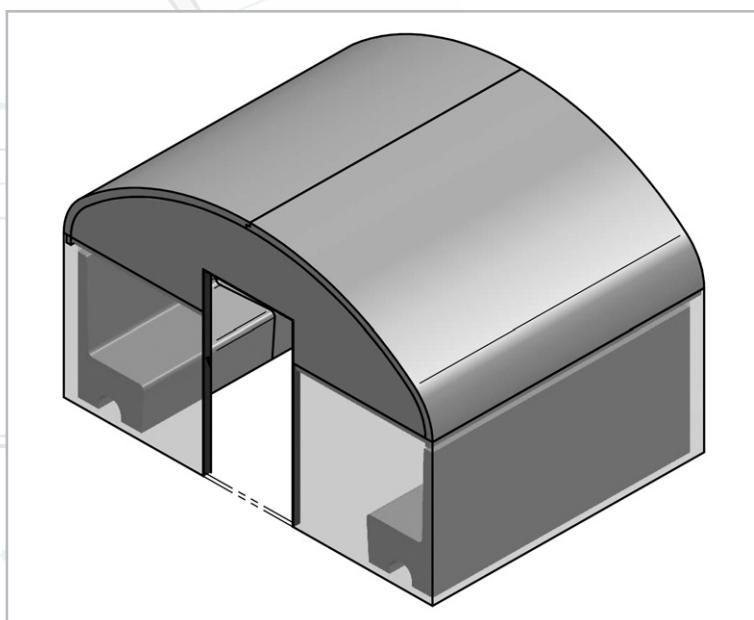
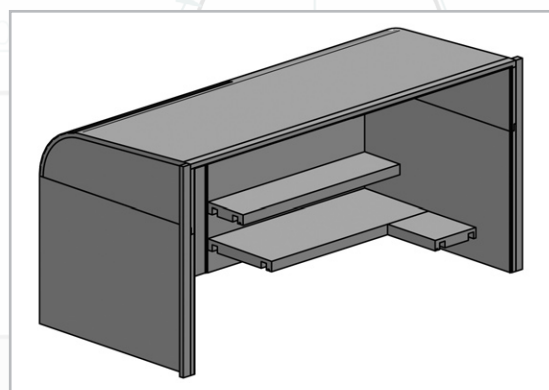
Vaulted roof

### ROOM-DA

Barrel roof design – **CONCEPT-DA BARREL**



- Standard thickness 50 or 80 mm, fits the wall
- Substrate preparation possible, e.g. for the screwed connection of shower heads or suspensions

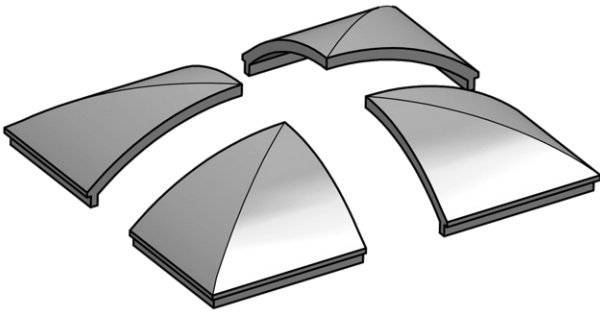




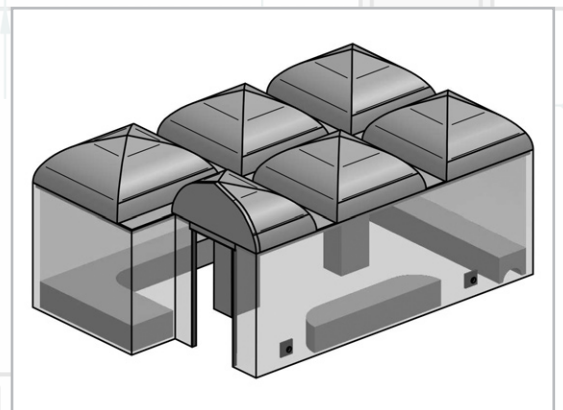
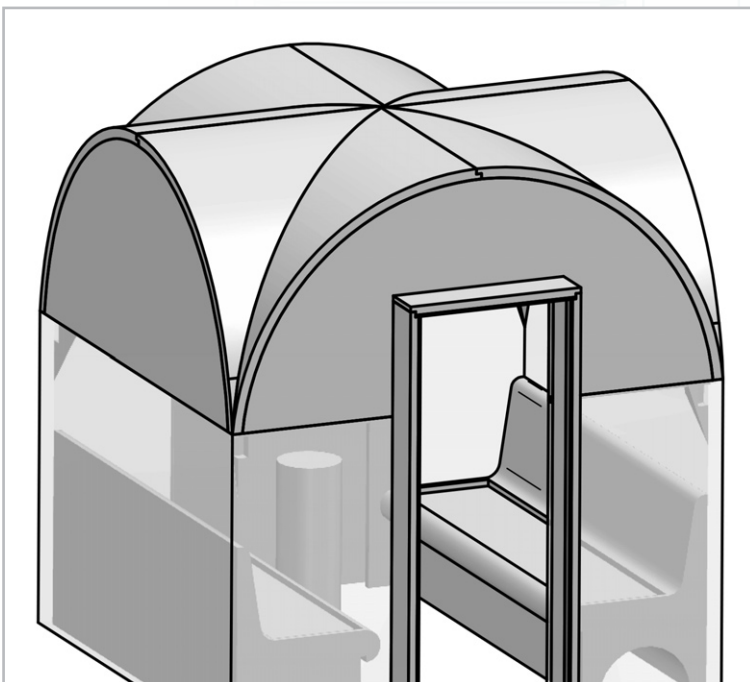
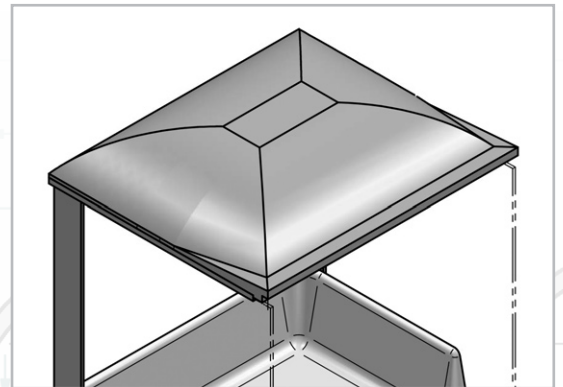
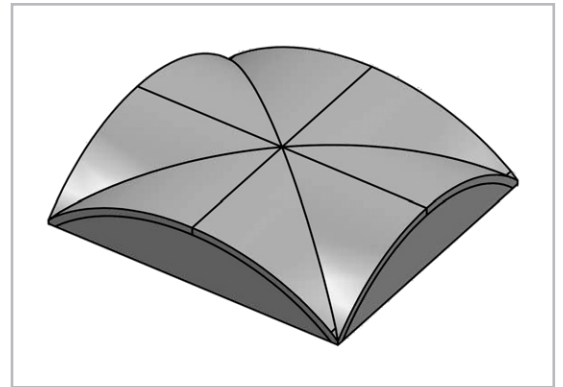
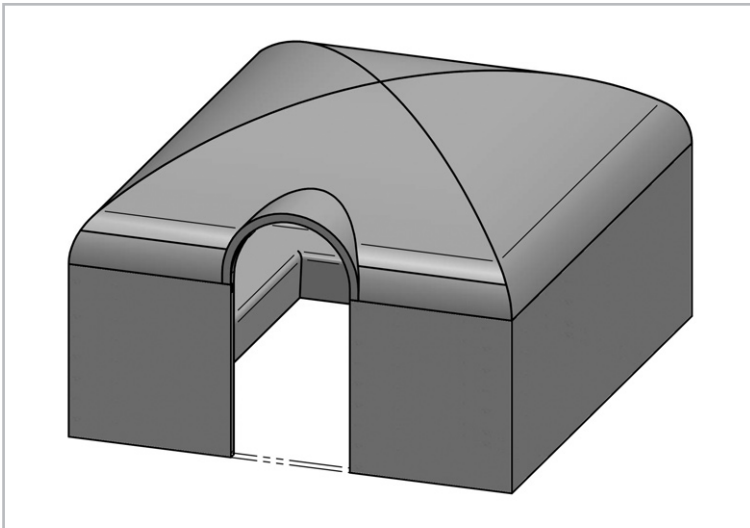
Roof with cross vault

**ROOM-DA**

Cross-vault roof shape – **CONCEPT-DA CROSS**

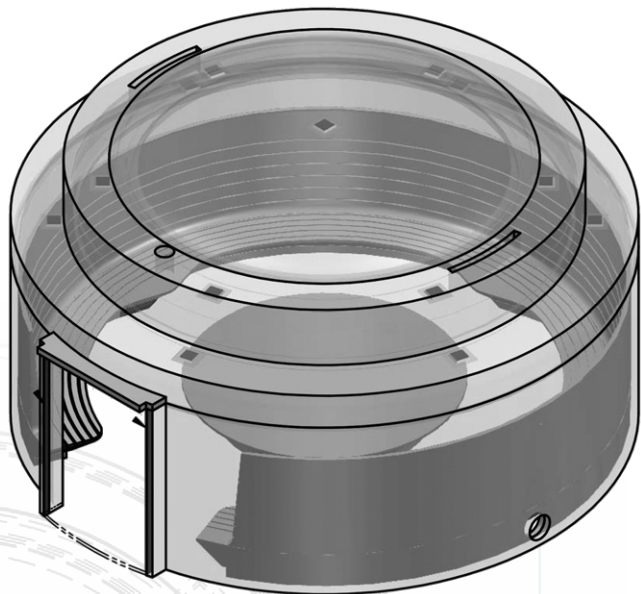


- Standard thickness 50 or 80 mm, fits the wall
- Substrate preparation possible, e.g. for the screwed connection of shower heads or suspensions

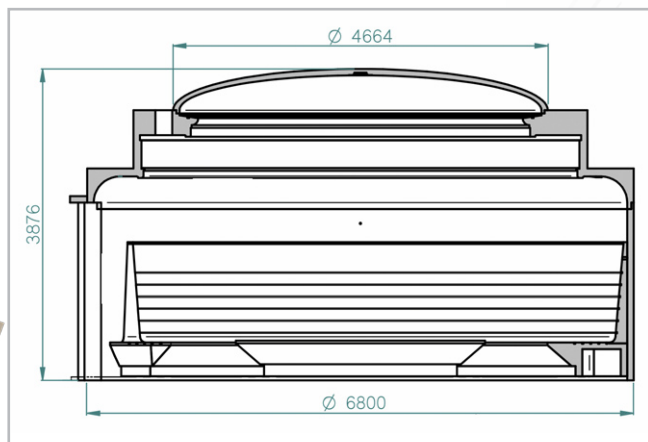
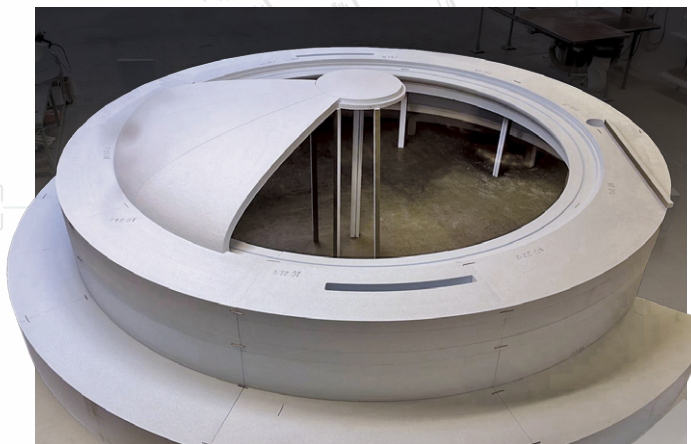


## LUX ELEMENTS

Special shapes / Ceiling suspension / Light  
**ROOM-DA ...**

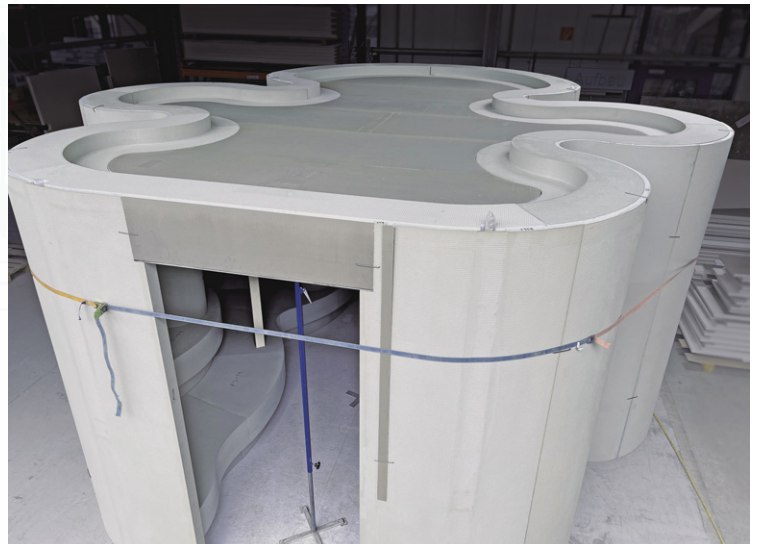
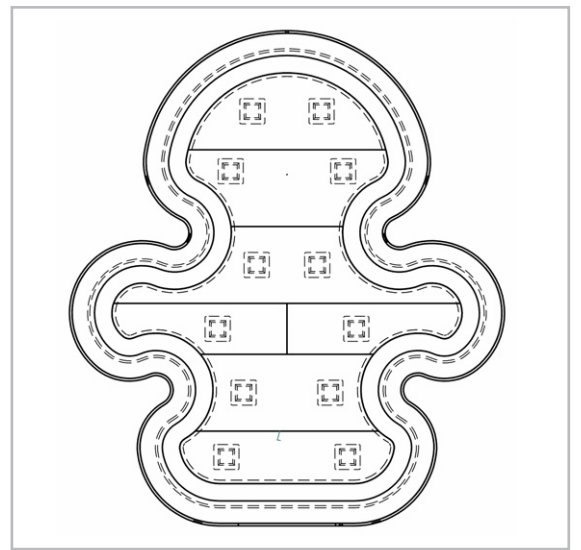
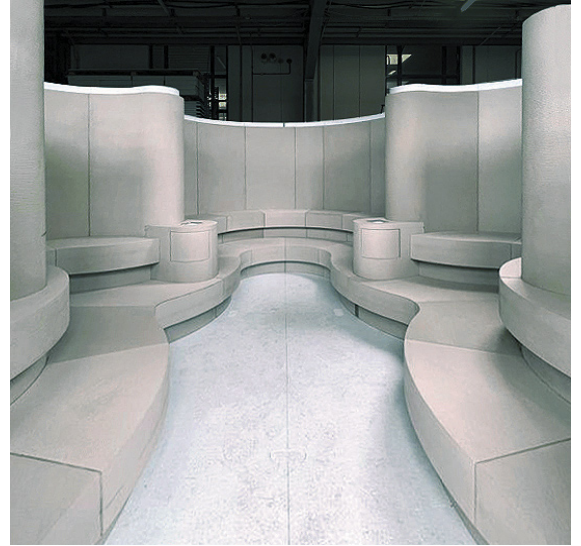
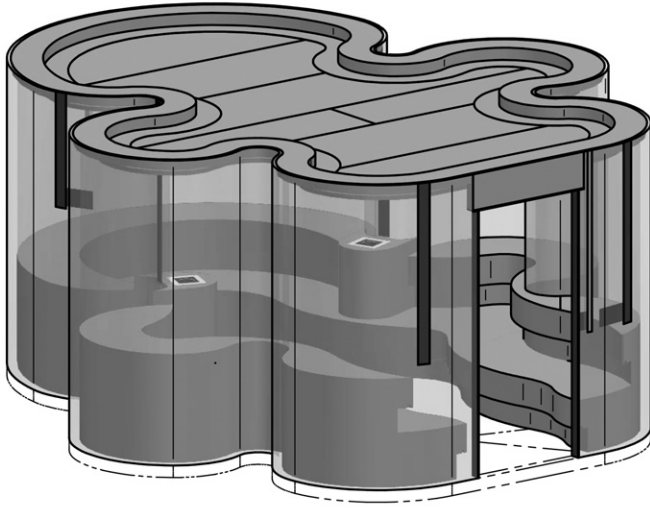


- Special shapes according to customer requirements
  - Suspension points for ceiling suspensions
  - Light channels for the installation of light ropes
- page 56/57



# INDIVIDUAL ROOM CONSTRUCTIONS

## ROOFS





## Seat variants

Comfortable seats are indispensable in wellness rooms. LUX ELEMENTS will supply you with seats and benches to match every room or area, even if it is full of nooks and crannies or round.

There is a choice of **different standard seat shapes** with optional rounding and end modules as well as armrests. Alternatively, **individually planned seats and benches** can also be manufactured. All the products can be fitted with heating systems on request (→ page 55).

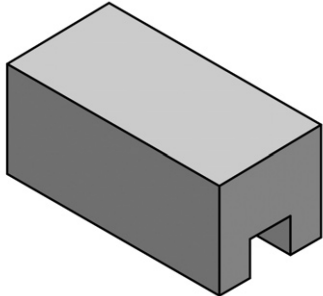
# INDIVIDUAL ROOM CONSTRUCTIONS SEAT VARIANTS



# LUX ELEMENTS

## Bench seats without backrest

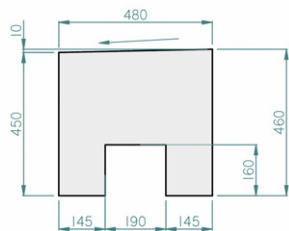
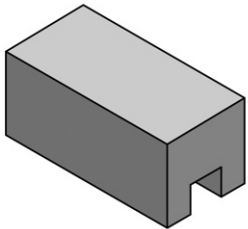
### CONCEPT-BA S



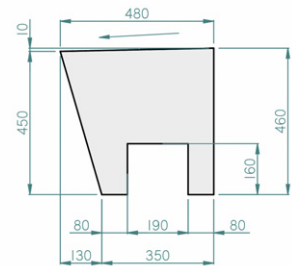
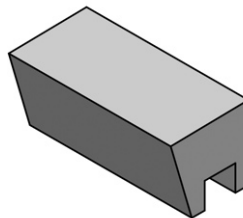
- 4 design variants – **straight** and **rounded**, **with** and **without** milling for light rope ADD-LI L  
→ page 56
- Seat with slight **slope**
- Made of **solid material**, with integrated **assembly channel**
- **Freely combinable** with all CONCEPT-BA L backrests  
→ page 40
- Optional **extensions** → Page 42
- Optional: Factory-installed **seat heating**  
→ page 55

### Design variants

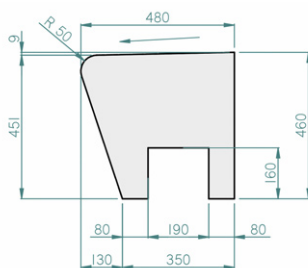
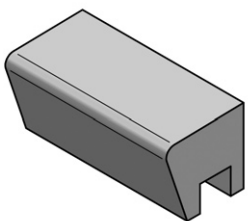
#### ■ CONCEPT-BA S1



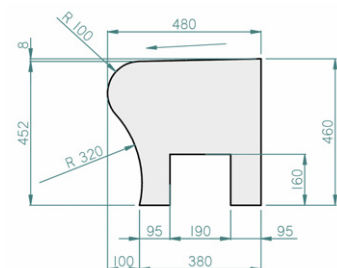
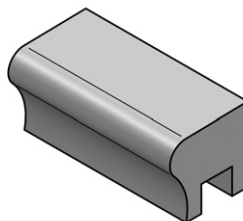
#### ■ CONCEPT-BA S2



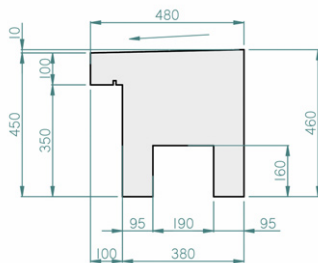
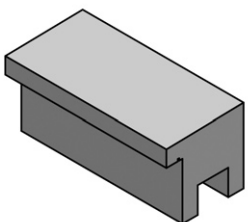
#### ■ CONCEPT-BA S3



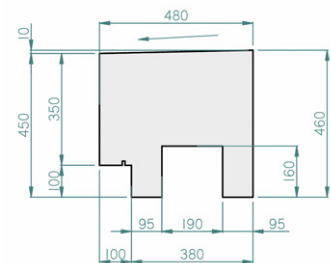
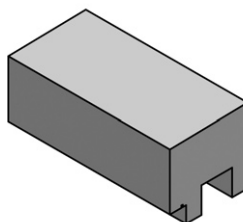
#### ■ CONCEPT-BA S4



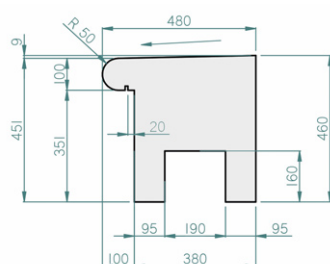
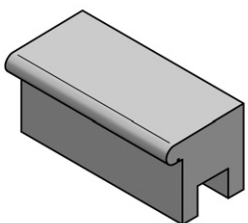
#### ■ CONCEPT-BA S5



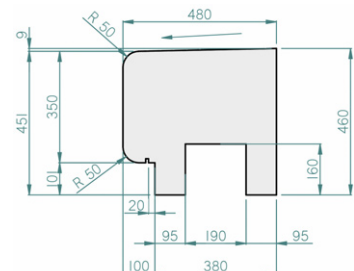
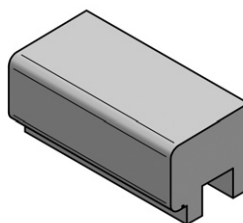
#### ■ CONCEPT-BA S6



#### ■ CONCEPT-BA S7

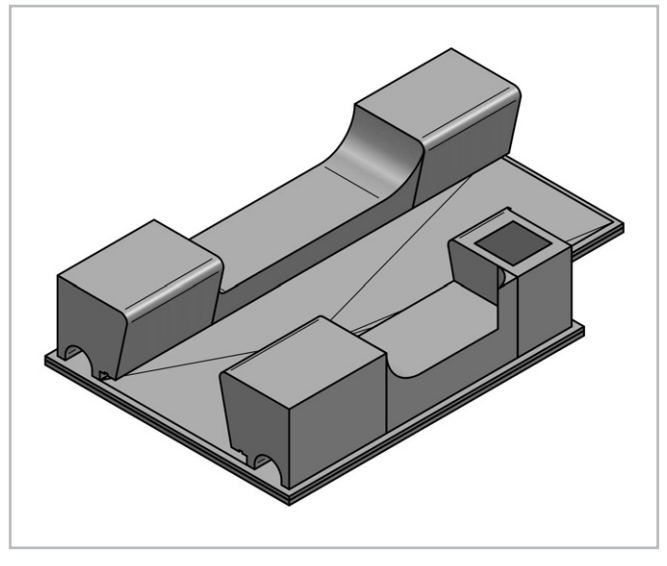
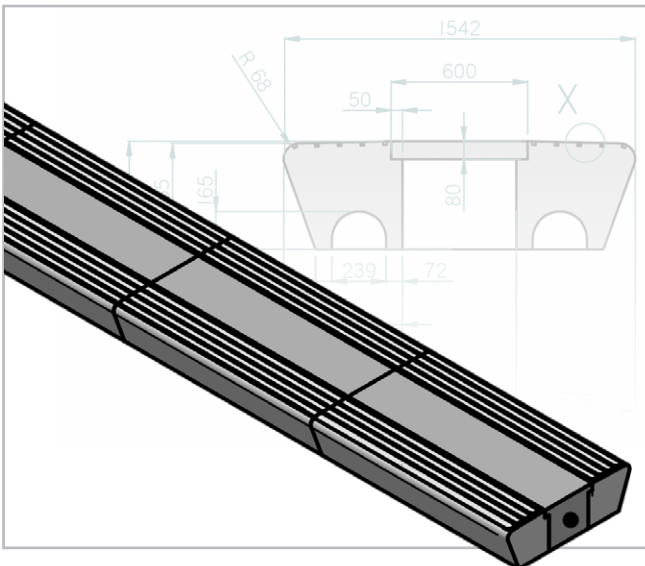
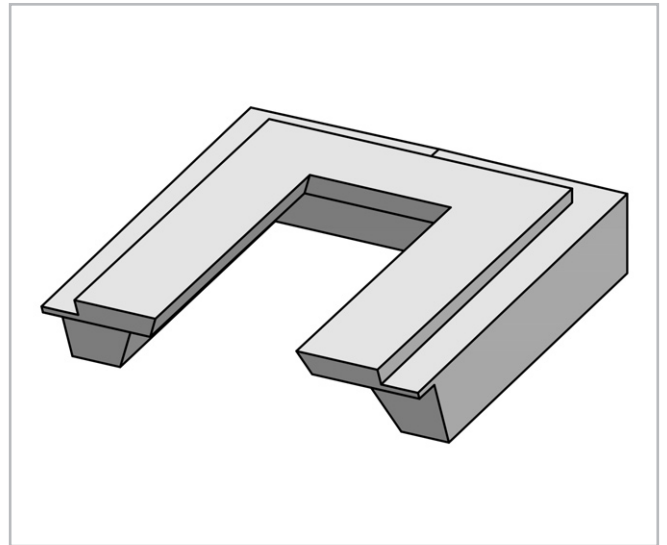
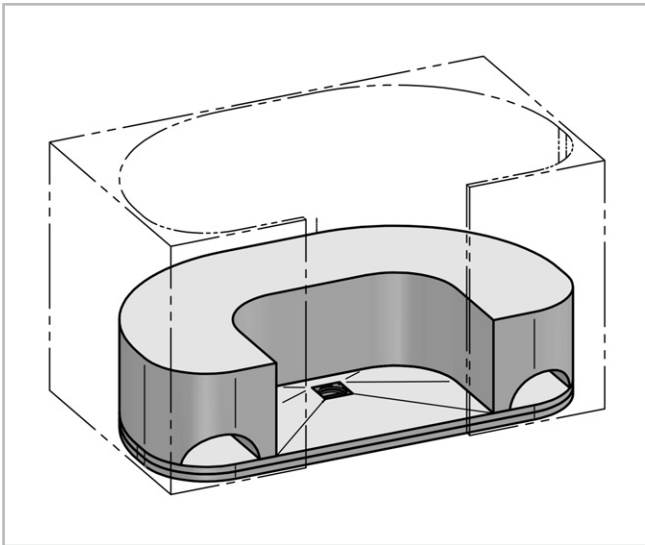
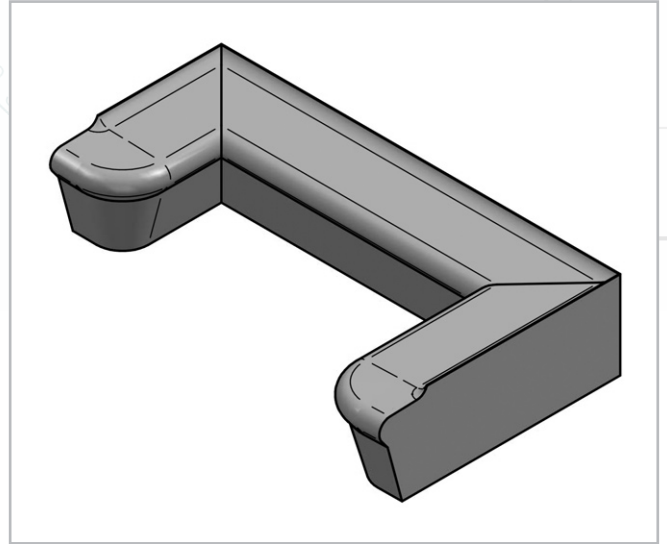
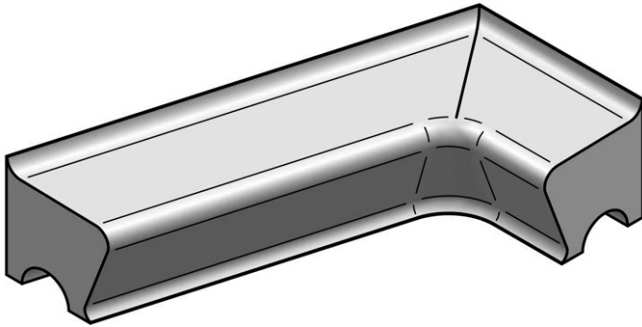


#### ■ CONCEPT-BA S8



# INDIVIDUAL ROOM CONSTRUCTIONS SEAT VARIANTS

- **Special shapes** – alternatively we can also realise your individual planning as a customised product

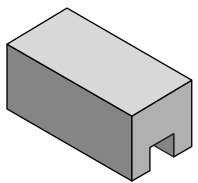


# LUX ELEMENTS

## Bench seats with backrest

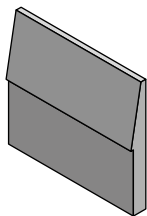
### CONCEPT-BA S + CONCEPT-BA L

1. Bench seat without backrest (solid material)



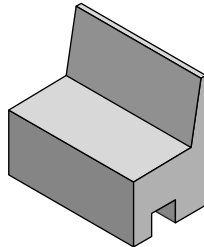
e.g. CONCEPT-BA S1

2. Backrest (solid material)



e.g. CONCEPT-BA L1

3. Bench seat with backrest (solid material)

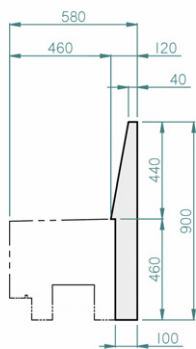
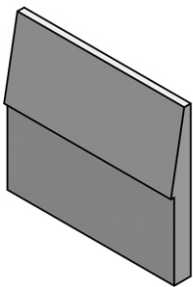


**NEW:** CONCEPT-BA S1L1

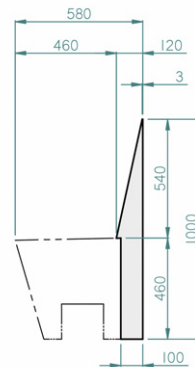
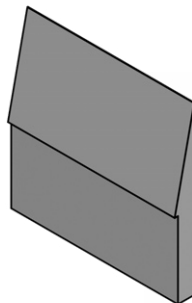
- 5 design variants – straight and rounded,
- **Freely combinable** with all bench seats without backrest CONCEPT-BA S  
→ page 38
- Final product made of **solid material**
- Optional **extensions** –  
→ page 42
- Optional: Factory-installed **seat heating**  
→ page 55

## Design variants

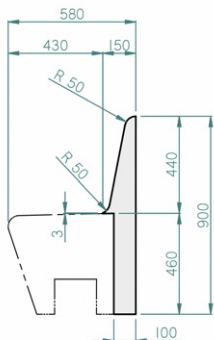
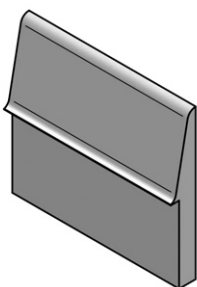
### ■ CONCEPT-BA L1



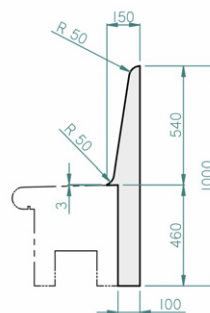
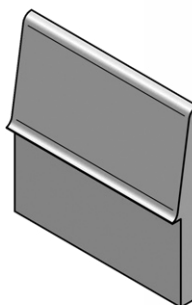
### ■ CONCEPT-BA L2



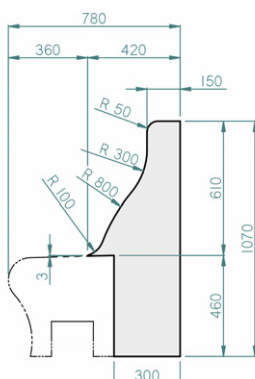
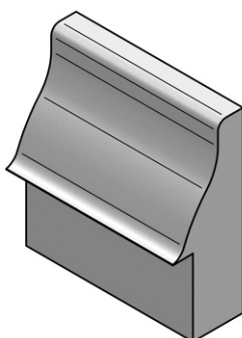
### ■ CONCEPT-BA L3



### ■ CONCEPT-BA L4



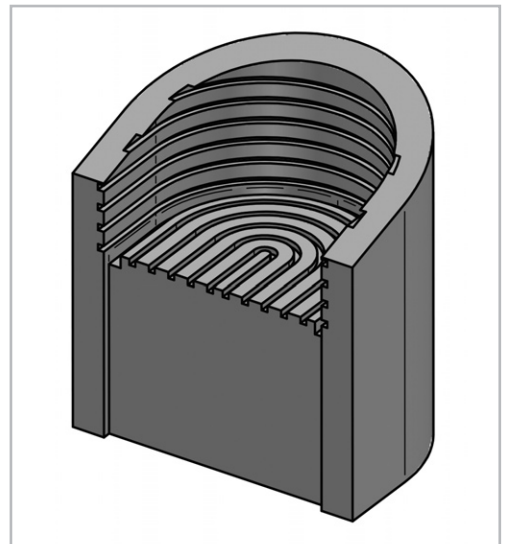
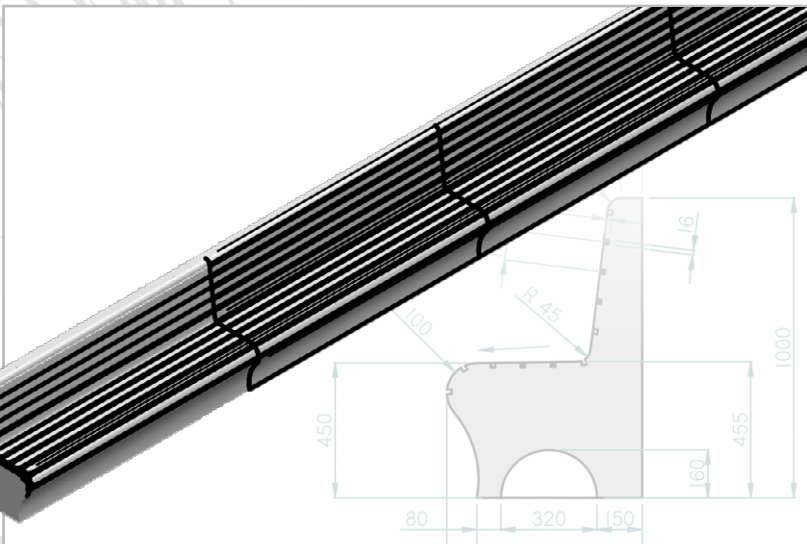
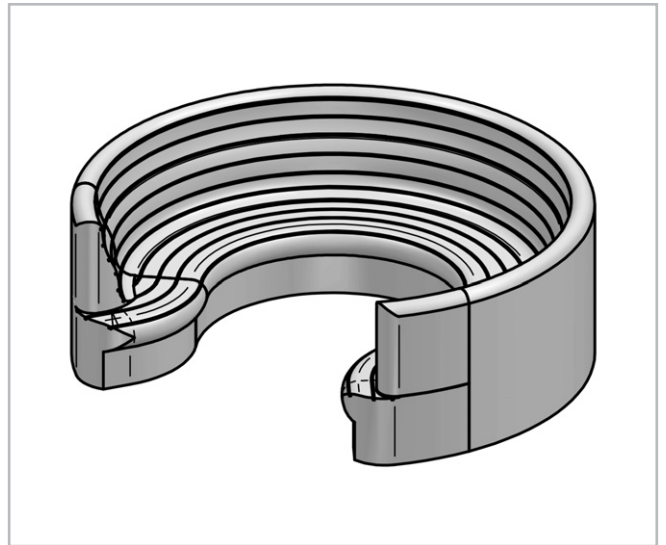
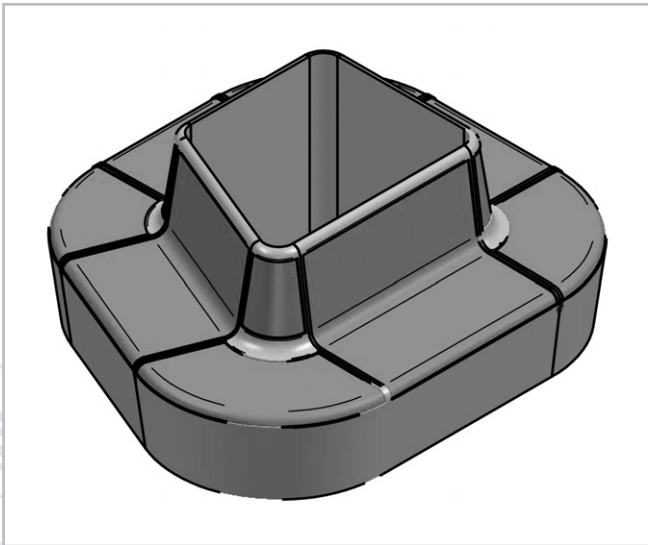
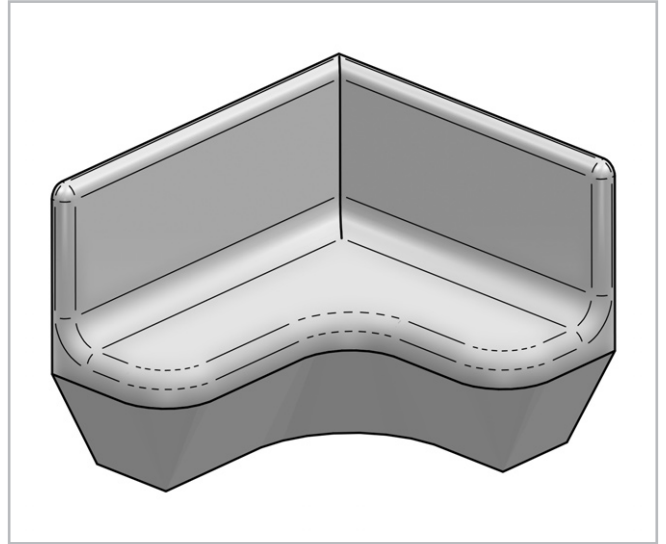
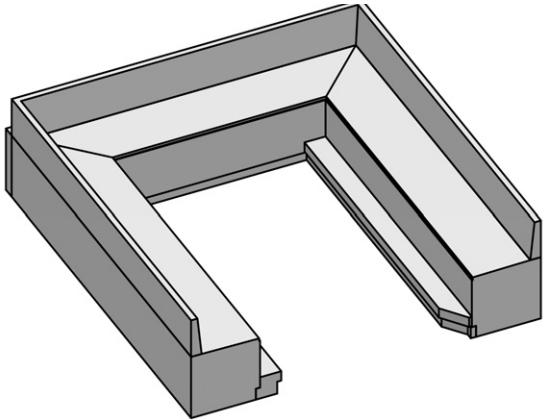
### ■ CONCEPT-BA L5



**PLEASE NOTE:** The bench seat variant and backrest can be freely combined. The combinations shown are only examples.



- **Special shapes** – alternatively we can also realise your individual planning as a customised product



# LUX ELEMENTS

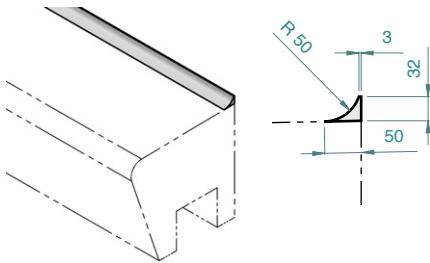
## Optional extensions for bench seats

### CONCEPT-BA ...

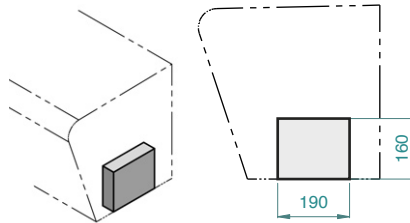


- Freely combinable with all bench seats without backrest – CONCEPT-BA S  
→ page 38
- Freely combinable with all bench seats with backrest – CONCEPT-BA S + CONCEPT-BA L  
→ page 40
- Final product made of **solid material**
- Optional: Factory-installed **seat heating** → page 55/56

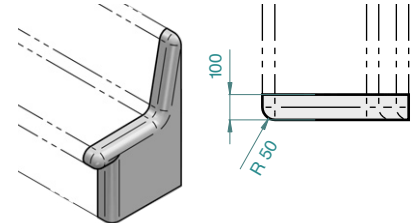
#### ■ Concave trim – CONCEPT-BA ... HK



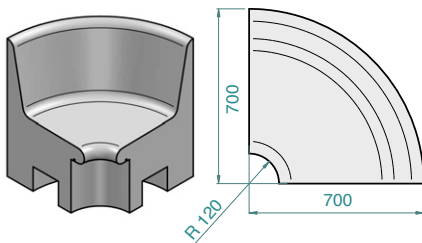
#### ■ Bench end closed – CONCEPT-BA ... BG ...



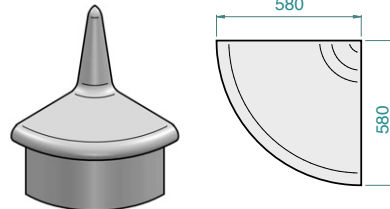
#### ■ Bench end round – CONCEPT-BA ... BR ...



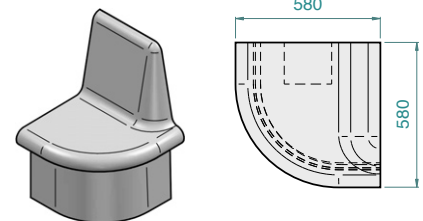
#### ■ Corner round – CONCEPT-BA ... ER ...



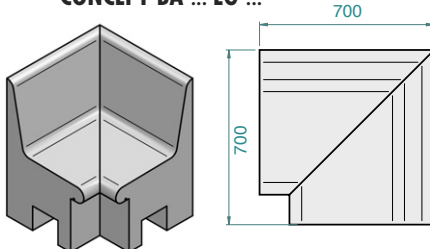
#### ■ Bench end round – CONCEPT-BA ... AR ...



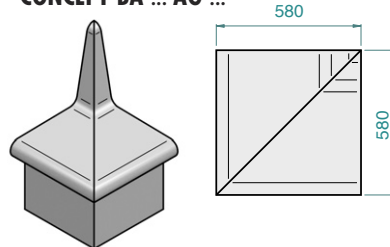
#### ■ Extended round – CONCEPT-BA ... VR ...



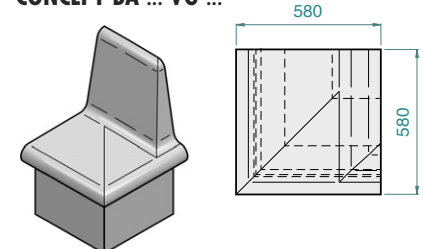
#### ■ Corner straight – CONCEPT-BA ... EG ...



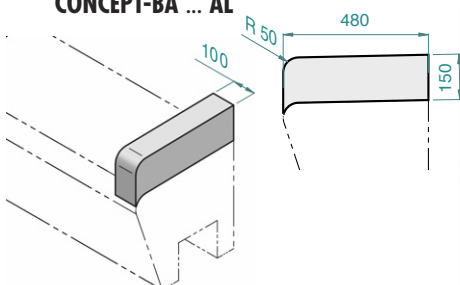
#### ■ Bench end straight – CONCEPT-BA ... AG ...



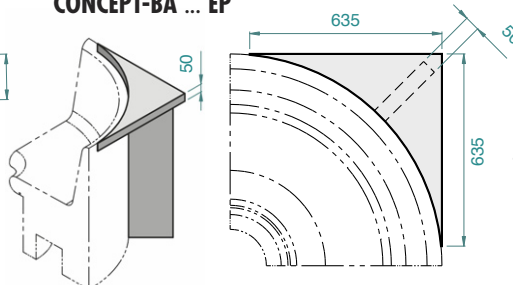
#### ■ Extended straight – CONCEPT-BA ... VG ...



#### ■ Bench end armrest – CONCEPT-BA ... AL



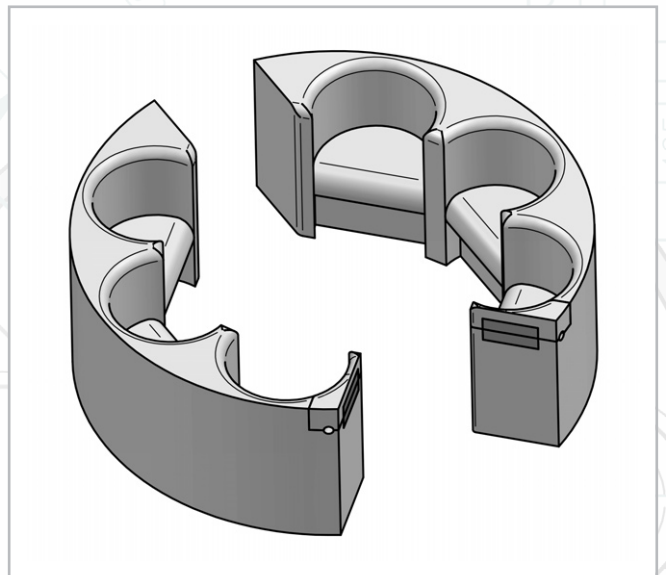
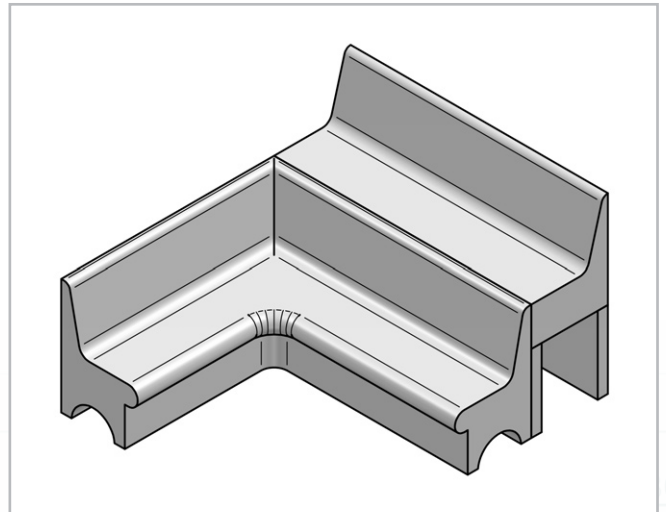
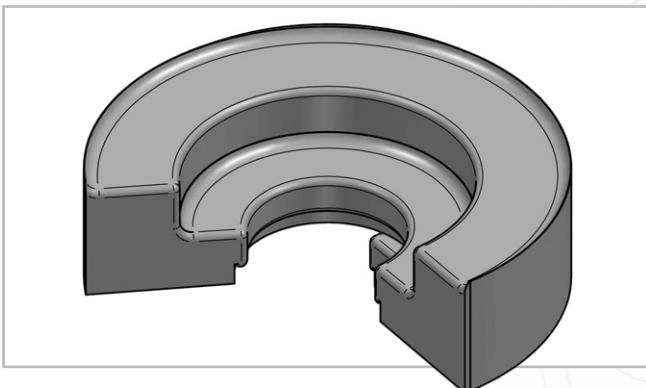
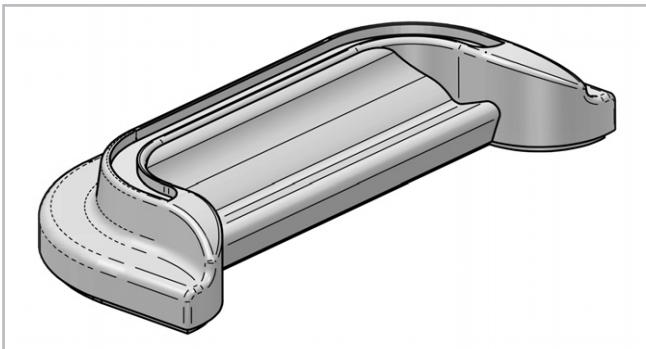
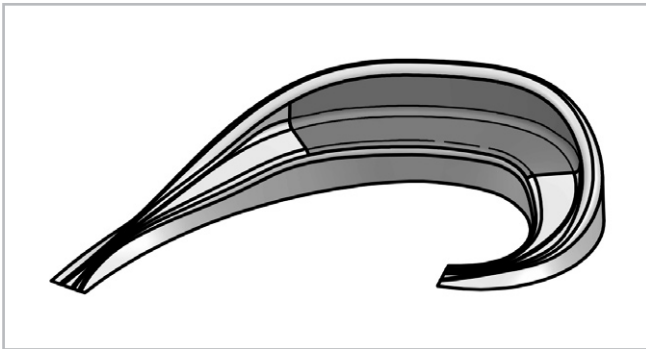
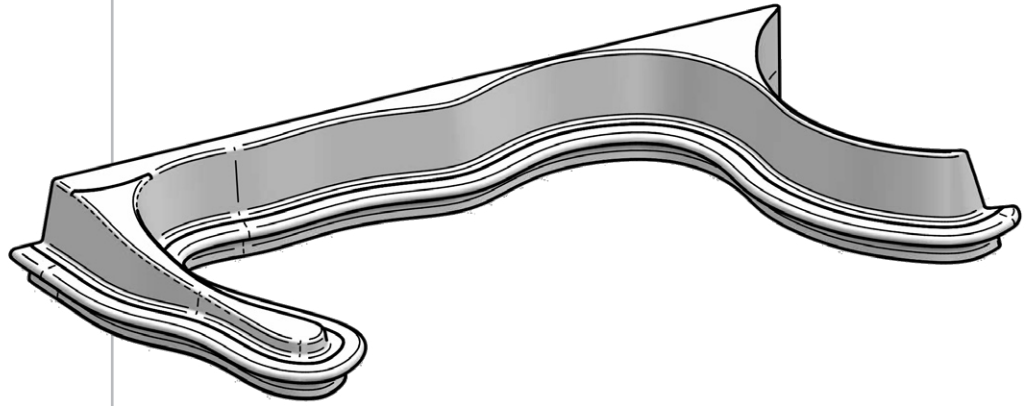
#### ■ Corner platform – CONCEPT-BA ... EP



**PLEASE NOTE:** The bench seat variant and backrest can be freely combined. The combinations shown are only examples.

Special shape  
**CONCEPT-BA**

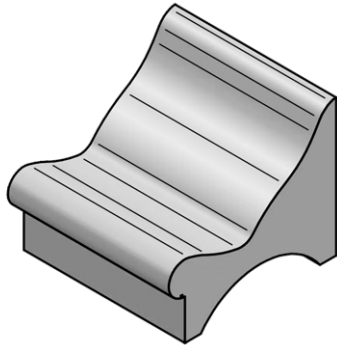
Alternatively we can also realise your individual planning as a customised product



# LUX ELEMENTS

Bench seats with comfort surface

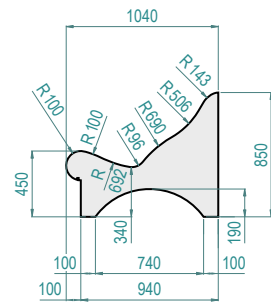
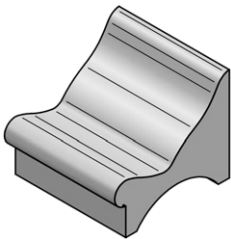
## CONCEPT-BA K



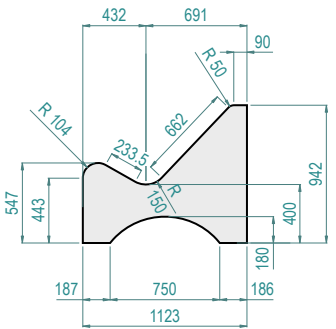
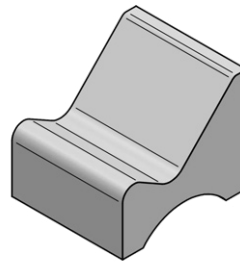
- 4 design variants – **straight** and **rounded**,
- **Two drainage variants** to choose from\*
- **Assembly channel** integrated
- Final product made of **solid material**
- Optional **extensions** –  
→ page 42
- Optional: Factory-installed **seat heating**  
→ page 55

Design variants

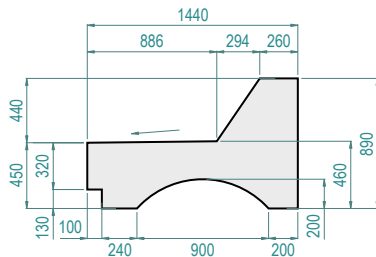
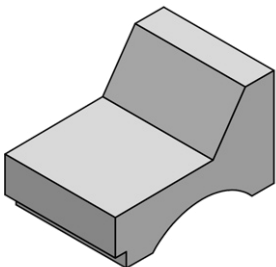
### ■ CONCEPT-BA K1



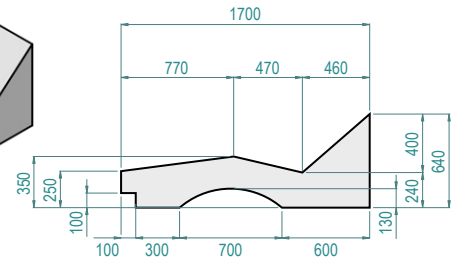
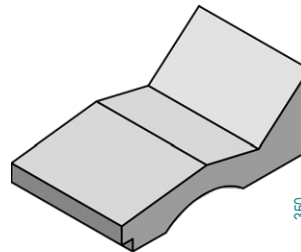
### ■ CONCEPT-BA K2



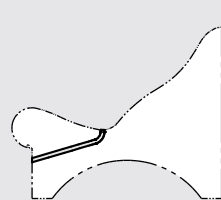
### ■ CONCEPT-BA K3



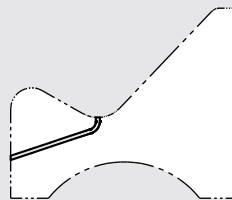
### ■ CONCEPT-BA K4



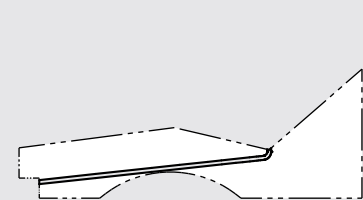
### ■ Drainage\* – pipe



CONCEPT-BA K1 WR

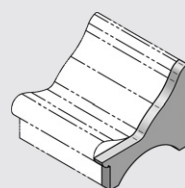


CONCEPT-BA K2 WR

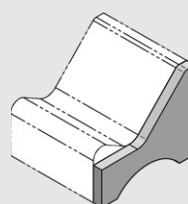


CONCEPT-BA K4 WR

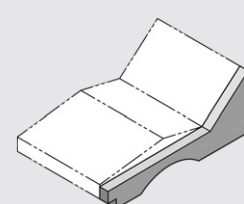
### ■ Drainage\* – lateral (width 100 mm)



CONCEPT-BA K1 WS



CONCEPT-BA K2 WS

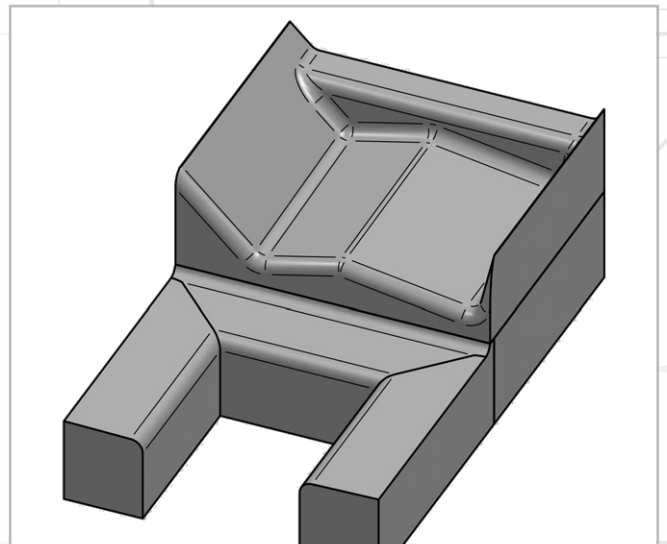
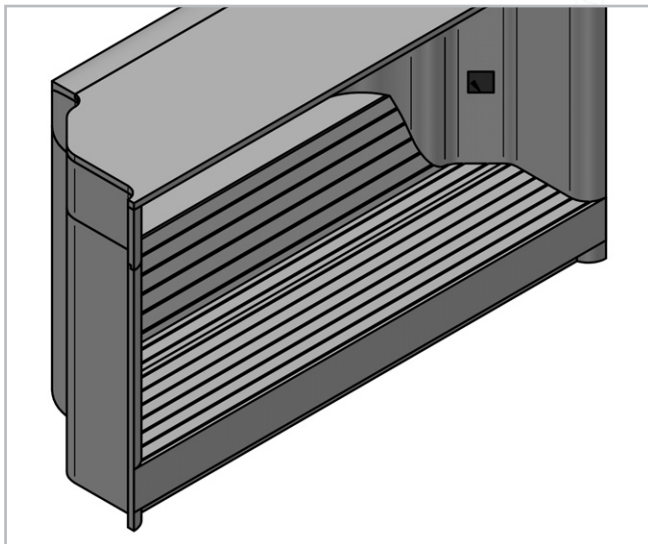
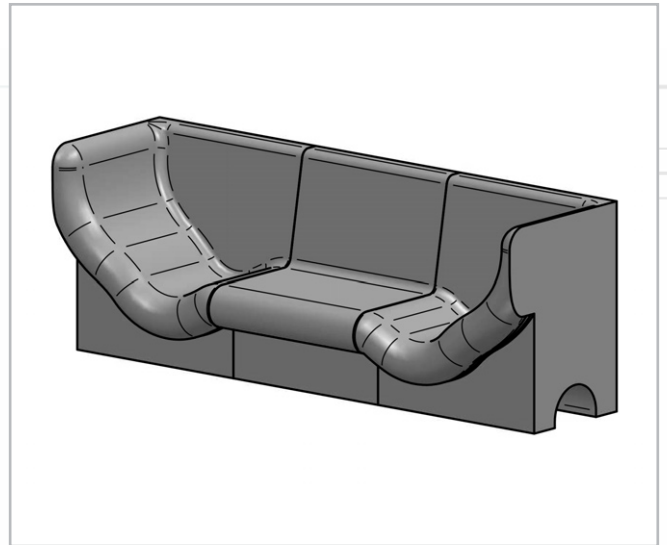
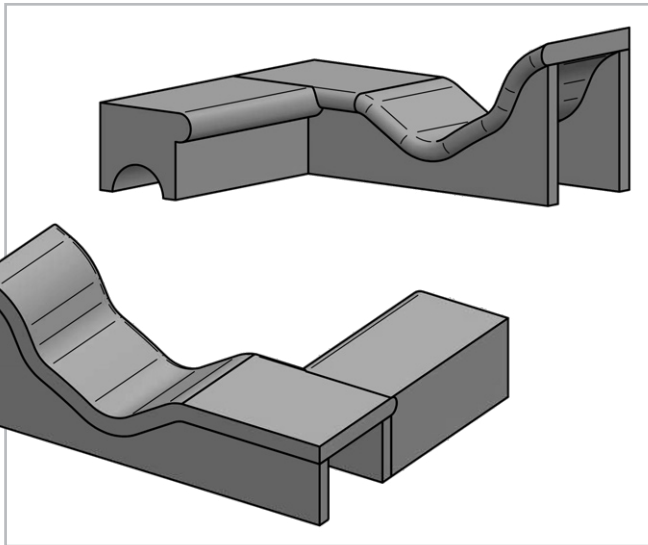
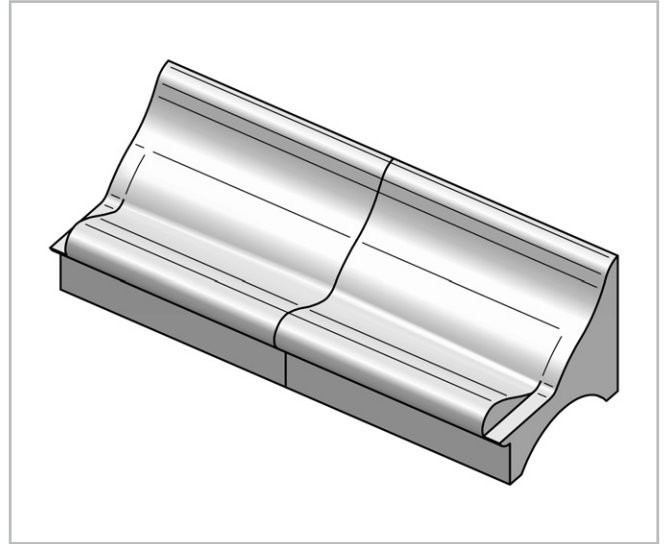
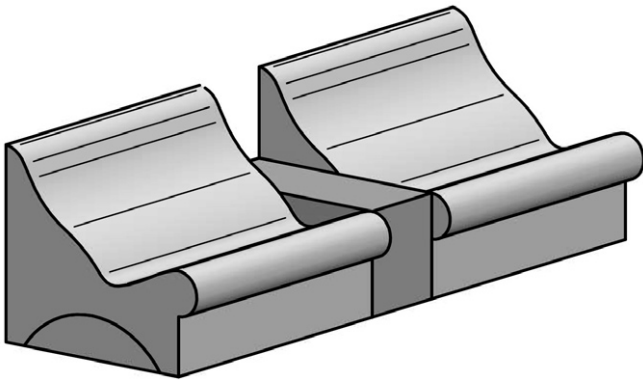


CONCEPT-BA K4 WS

\*PLEASE NOTE: The drainage solutions are optional, as they are only used in the steam bath area. This is not necessary in the pool / in dry areas.

## INDIVIDUAL ROOM CONSTRUCTIONS SEAT VARIANTS

- **Special shapes** – alternatively we can also realise your individual planning as a customised product

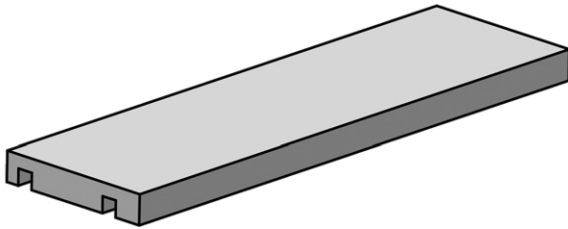


450 894 450  
1794 45

## LUX ELEMENTS

Bench seat in 'floating' design

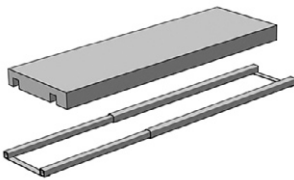
### CONCEPT-BA FLOAT



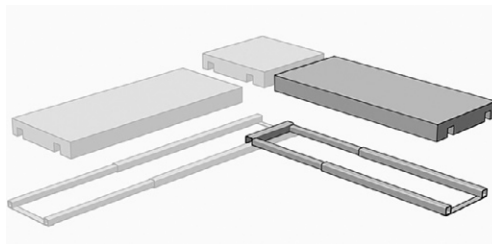
- Straight or with corners
- Stable stainless steel construction
- Optional:  
Heating and lighting  
→ page 55/56

Design variants

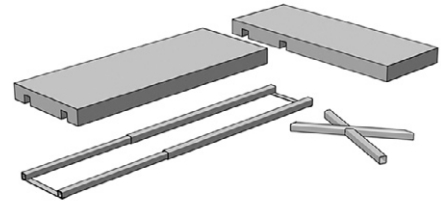
#### ■ CONCEPT-BA FLOAT GK or GL



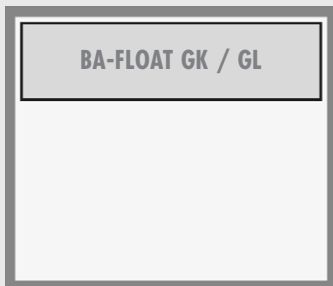
#### ■ CONCEPT-BA FLOAT GK or GL + CONCEPT-BA FLOAT EK or EL



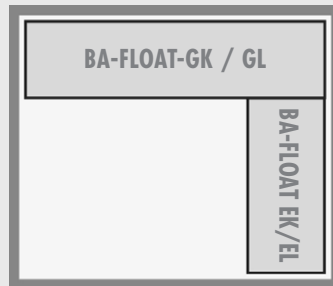
#### ■ CONCEPT-BA FLOAT GK 600 + CONCEPT-BA FLOAT ES



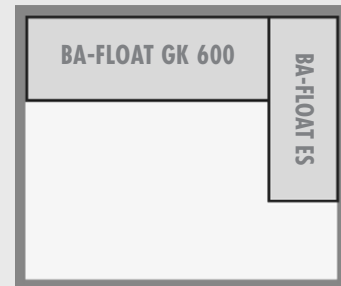
#### ■ Installation situations



Between two walls

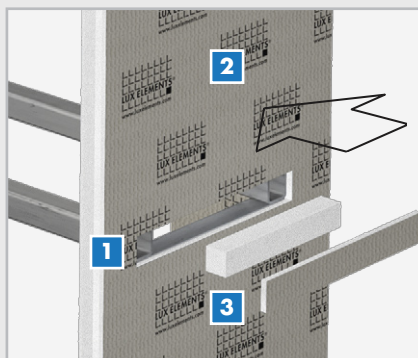
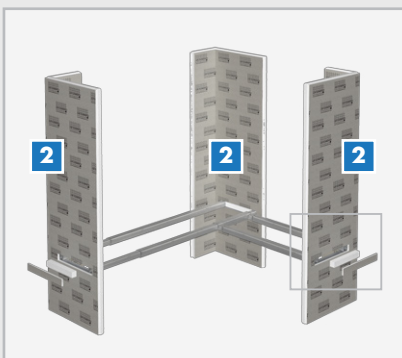


Corner element  
from wall to wall



Between two walls,  
with floating corner

#### ■ Principle



#### ■ Assembly

The assembly of the stainless steel sub-structure for CONCEPT-BA FLOAT into the CONCEPT-WA (see page 12) wall construction takes place via factory-made notches [1] in the corner elements [2]. For this, a seat height of 45 cm is pre-defined (other heights possible upon request).

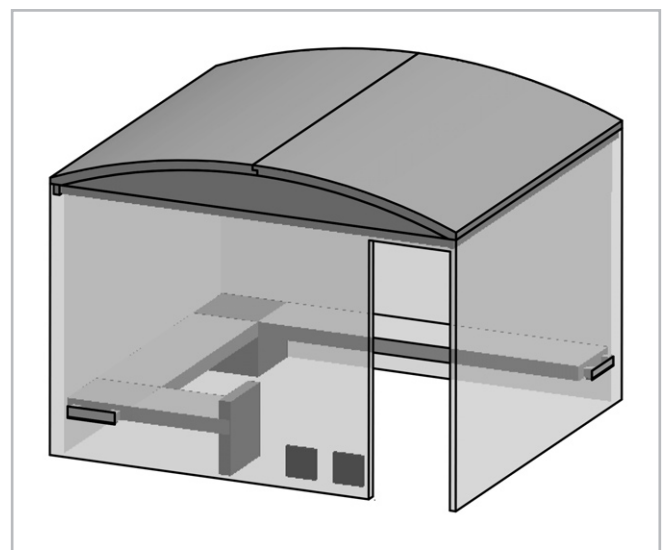
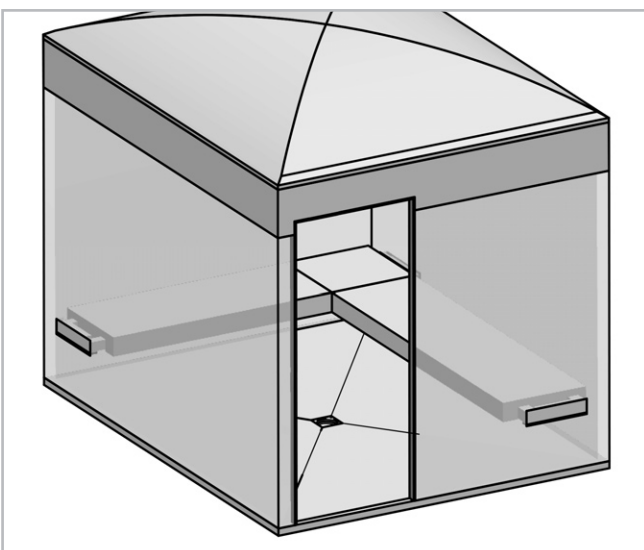
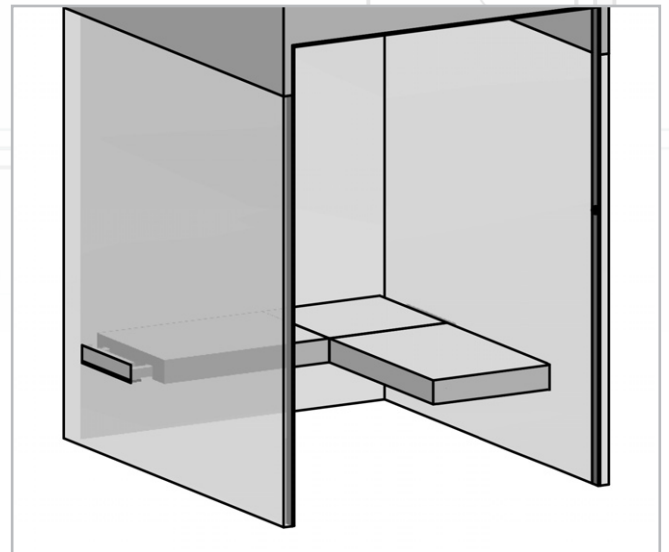
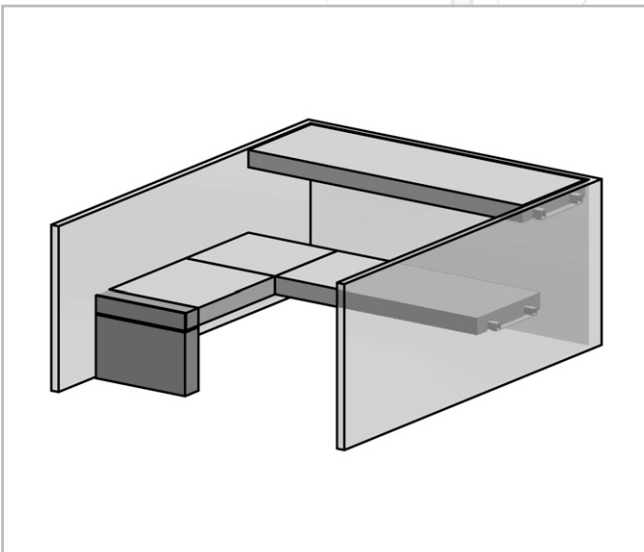
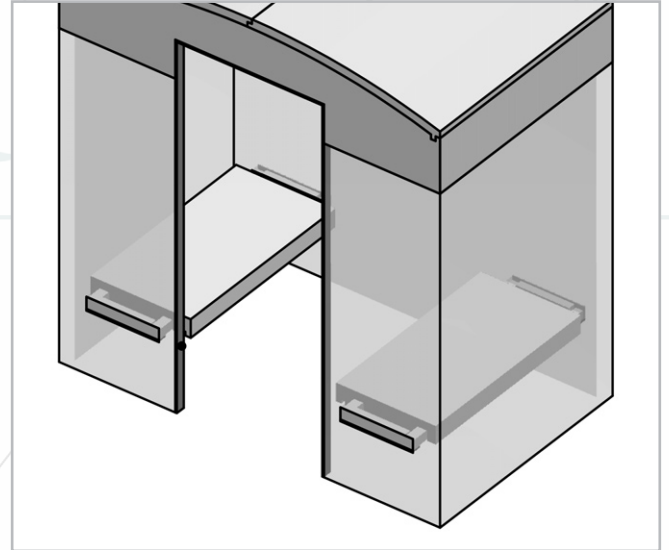
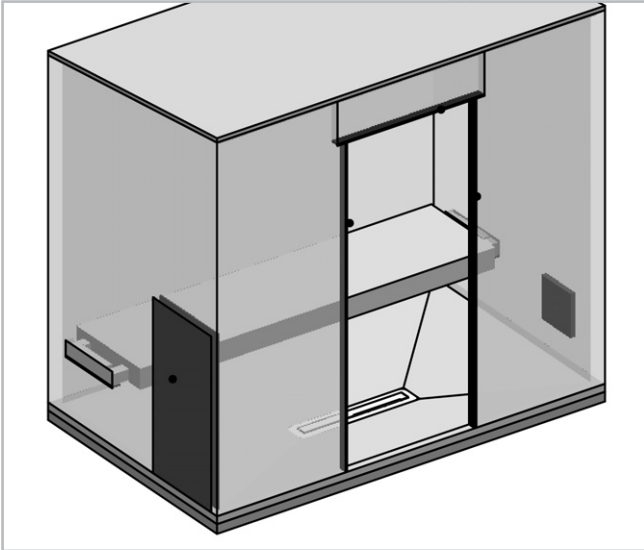
Loose hard foam filler elements [3] are enclosed for the later covering of the cutouts.

**INDIVIDUAL ROOM CONSTRUCTIONS**  
**SEAT VARIANTS**

FLOAT  
mit Heizset

FLOAT  
mit Heizset

550



# Technical solutions

**Technical accessories for equipping  
a room construction or shower**



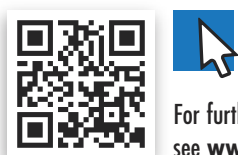


Design and technology must be perfectly matched to each other in spas and wellness facilities.

Hard foam support elements from LUX ELEMENTS are ideally suited to the integration of technical components. The necessary millings and sections etc. can be prepared at the factory or produced on site according to exact measurements.

Technical accessories:

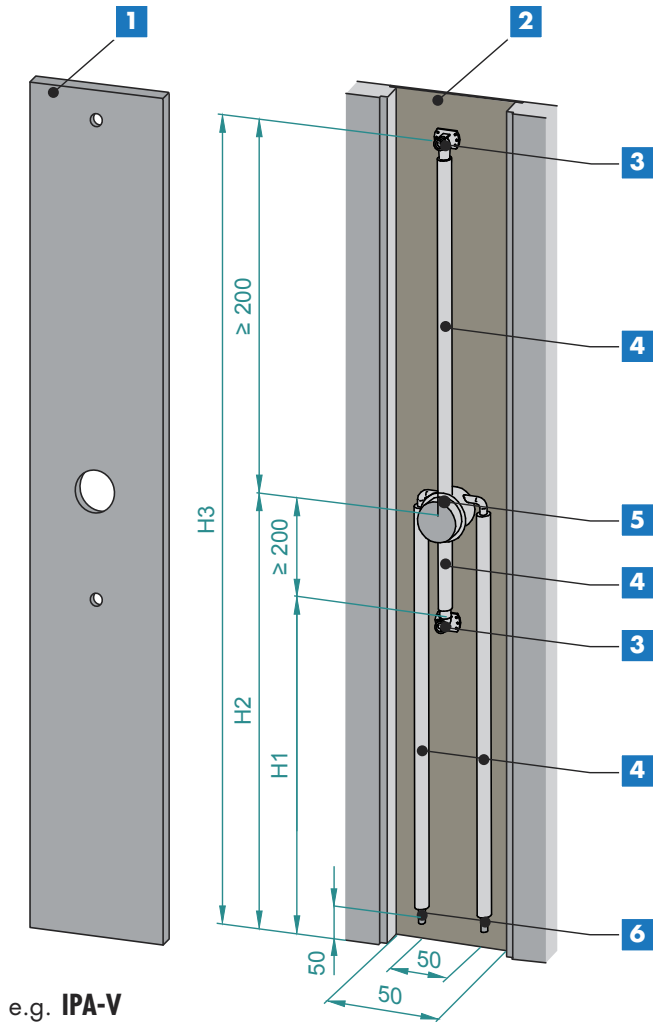
- **Installation panel** for the fastening of fittings
- **Maintenance opening**  
for easy maintenance of pipes/cables and technical components
- **Steam inlet**  
for safe feed-through of a steam pipe
- **Individual millings** for technical fixtures
- **Hard plastic insert** for the stable fastening
- **Acceptance ...**
  - ... of an LED spot mounting sleeve
  - ... of an empty conduit
  - ... of a flush-mounted socket
- **Heating**
  - Electrical heating mat, factory-fitted
  - Water heating, factory-fitted  
or milling for the on-site installation of water heating
- **Light**  
Flexible light rope or LED spotlight, dimmable
- **Sound**  
Structure-borne sound converter as 'invisible loudspeaker'



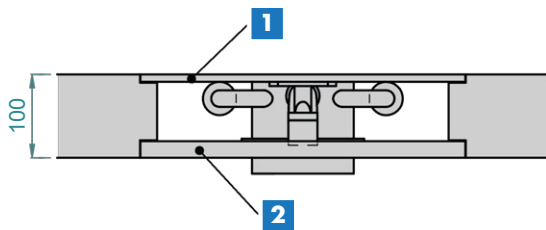
For further information, please  
see [www.luxelements.com](http://www.luxelements.com)

Technical solutions

**ADD-TE**



e.g. IPA-V



■ **Basic principle**

- 1 – **Front panel**, ELEMENT-EL 20, inserted loosely
- 2 – **Mounting plate**, glued in the factory
- 3 – **Wall plate 1/2"**, internal thread to DN20
- 4 – **Aluminium composite pipe DN20**, insulated
- 5 – **Flush-mounted fitting**, iBox (hansgrohe)
- 6 – **Adapter piece 3/4"**, external thread to DN20

Technical accessories for equipping a room construction (→ page 10) or shower

**Installation panel – ADD-TE IPA**

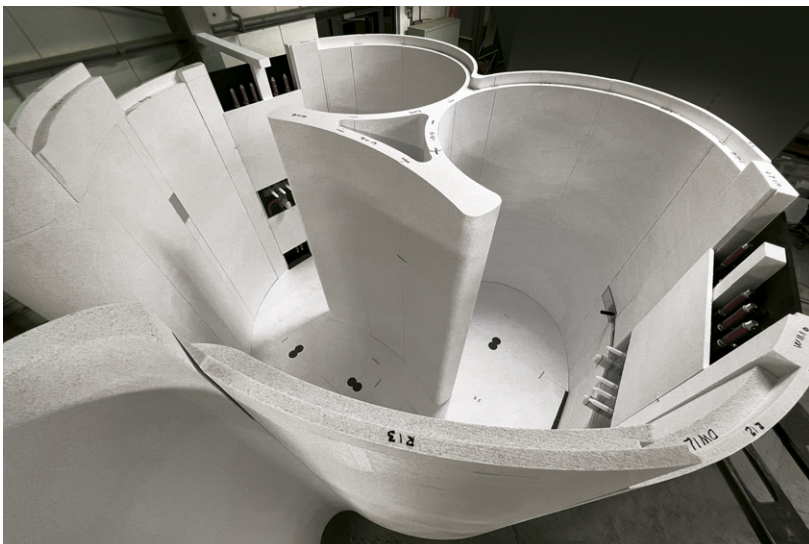
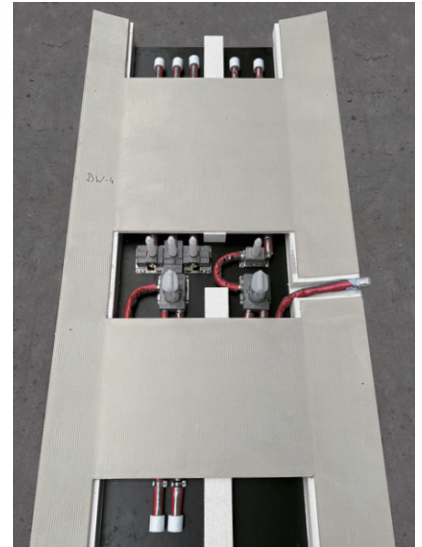
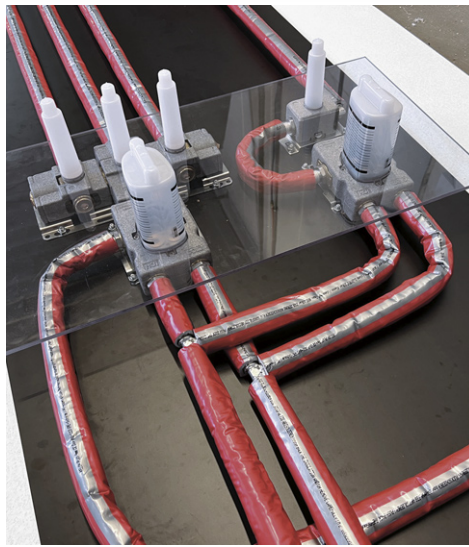
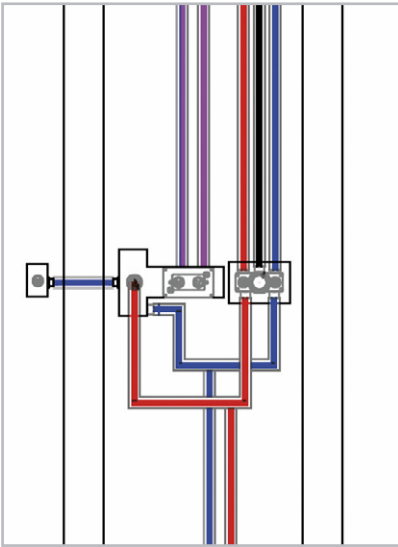
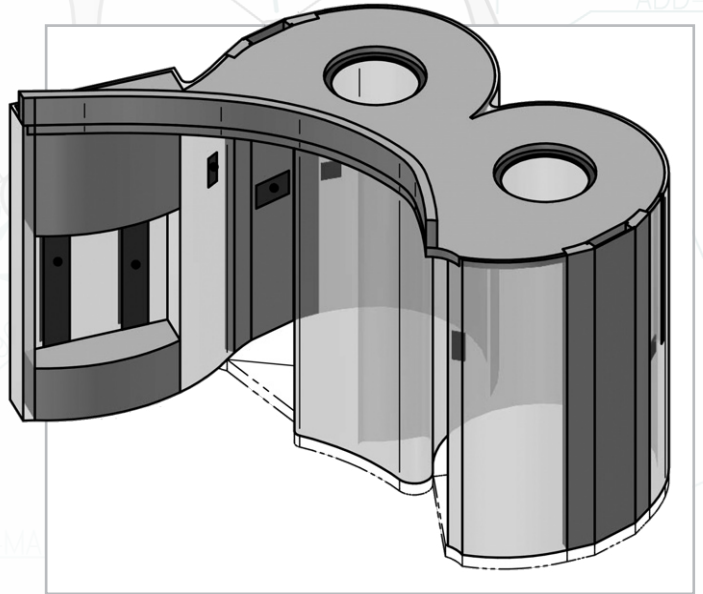
- Prefabricated element for the fastening of fittings
- Factory-integrated (IPA-I) or for self-installation in a room construction (IPA-E)
- Also with pre-installed flush-mounted iBox from hansgrohe as well as the associated piping with connections (+IPA-V)

■ **IPA-V – Surcharge for IPA-I/IPA-E**

factory-fitted pipework with flush-mounted iBox from hansgrohe plus the associated fittings; all connections are pressed and tested

Pipework

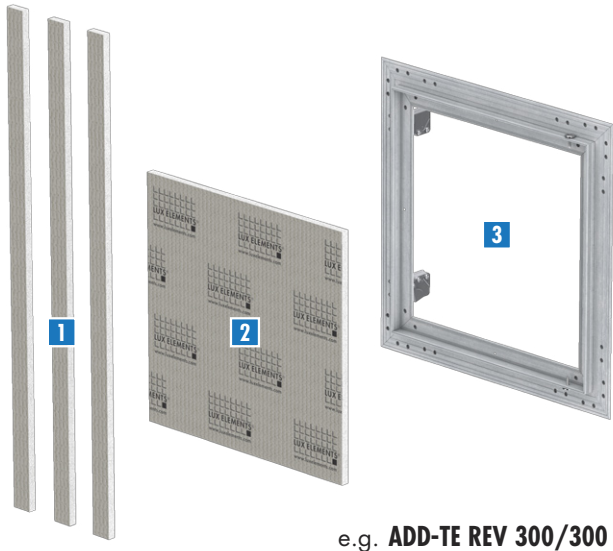
- Factory piping according to customer requirements and factory installation of sanitary installations
- Simple piping, complex sanitary installations or iBox from hansgrohe possible



# LUX ELEMENTS

## Technical solutions

### ADD-TE



Technical accessories for equipping a room construction (→ page 10) or shower

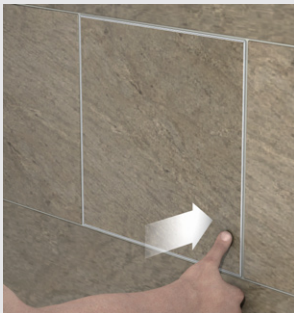
#### Maintenance opening – ADD-TE REV

- Four different sizes, from 150 x 150 mm to 600 x 600 mm
- Easy maintenance of pipes/cables and technical components
- Easy opening and closing by light pressure
- Metal frame, rotatable by 180° – opening to the right or left possible
- Front panel for thinner covering thicknesses
- Factory milling for maintenance opening in the wall element
- Fillers for adaptation to covering thicknesses of 2 or 12 mm

#### ■ Basic principle

- 1 – Filler**, usable depending on the thickness of the covering
- 2 – Front panel**, usable depending on the thickness of the covering
- 3 – Metal frame maintenance opening**, opening to the right or left possible

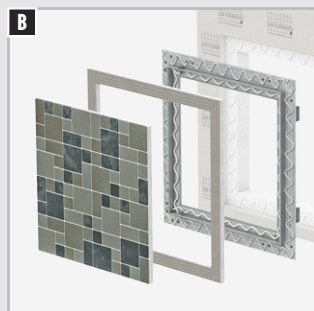
#### ■ Functional principle



Easy opening and closing by light pressure

Metal frame, rotatable by 180° – opening to the right or left possible

#### ■ Adaptation of the installation height – by fillers for covering thicknesses of 2 or 12 mm



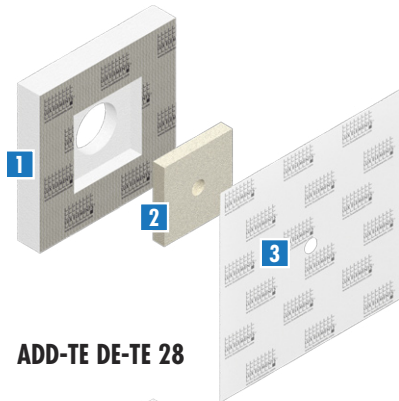
**A** – Application with plaster with front panel / fillers on frame

**B** – Application with mosaic tiles with front panel / fillers on frame

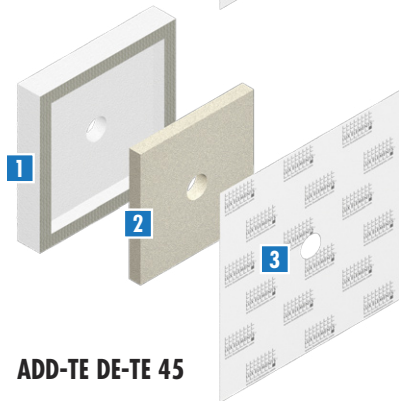
**C** – Application with natural stone without front panel / fillers under frame

Technical solutions

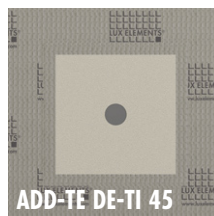
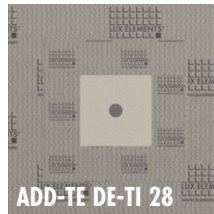
**ADD-TE**



**ADD-TE DE-TE 28**



**ADD-TE DE-TE 45**



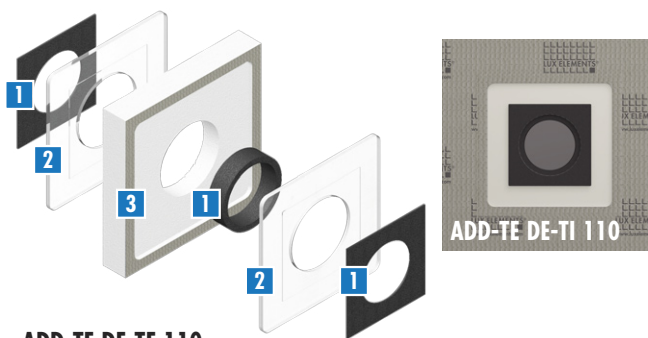
Technical accessories for equipping a room construction (→ page 10) or shower

**Steam inlet – ADD-TE DE**

- Temperature-resistant supporting panel for a steam inlet
- Safe feed-through of a steam pipe
- Preparation for different manufacturer types
- Three different variants:
  - **Support panel** 150 x 150 x 30 mm, with **28 mm hole** for a steam inlet, incl. sealing sleeve
  - **Support panel** 250 x 250 x 30 mm, with **45 mm hole** for a steam inlet, incl. sealing sleeve
  - **Support panel** 260 x 260 x 8 mm (on front and rear side) with **110 mm hole** for a steam inlet, incl. high-temperature insulating material
- Factory-integrated or single

■ **Basic principle**

- 1 – Mounting plate**, hard foam support material
- 2 – Supporting panel**, temperature-resistant, Ø 28 or 45 mm
- 3 – Sealing sleeve**, loose, 400 x 400 mm



**ADD-TE DE-TE 110**

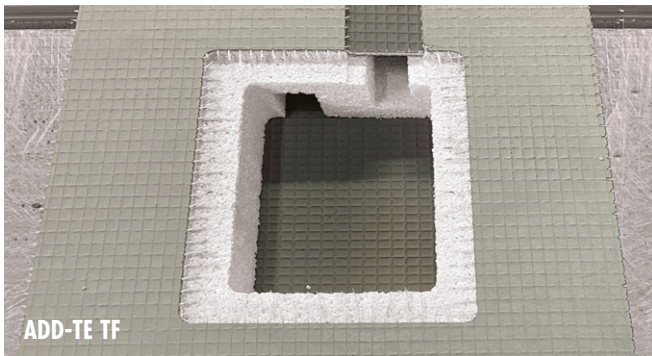
■ **Basic principle**

- 1 – High-temperature insulating material**, Ø 110 mm
- 2 – Supporting panel**, hard plastic insert, Ø 110 mm
- 3 – Mounting plate**, hard foam support material

# LUX ELEMENTS

## Technical solutions

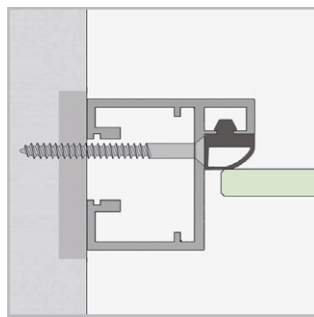
### ADD-TE



Technical accessories for equipping a room construction (→ page 10) or shower

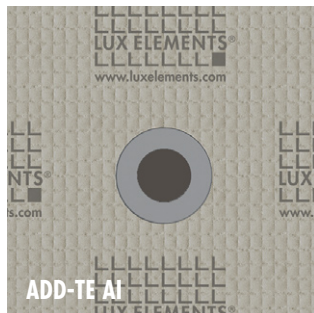
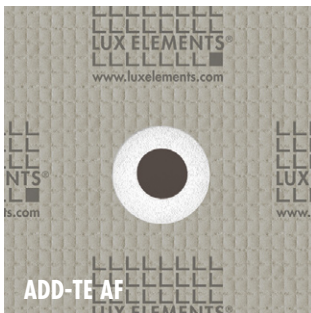
#### Millings – ADD-TE TF

- Additional charge for technical fixtures, milling, factory-made according to customer's specification



#### Hard plastic insert – ADD PRO-MAK

- For adhering to hard foam
- For the stable fastening, for example, of hose holders or fittings
- Different versions:
  - as running meter, 50 mm or 80 mm wide
  - prefabricated pieces for specific sizes



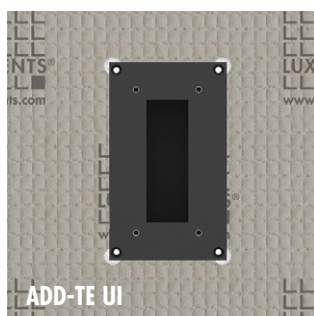
#### Acceptance of an LED spot mounting sleeve (WDT) – ADD-TE AF/AI

- As a milling for the on-site acceptance of a sealing flange
- Also as a factory-integrated sealing flange
- For subsequent acceptance of a WDT spot integrated sleeve



#### Acceptance of an empty conduit – ADD-TE LF/LI

- Two different standard pipe diameters (25 or 32 mm)
- As a milling in the hard foam support element with loose cover
- Also as a factory-integrated and covered empty conduit
- For the feed-through of electrical cables, e.g. for switch plates

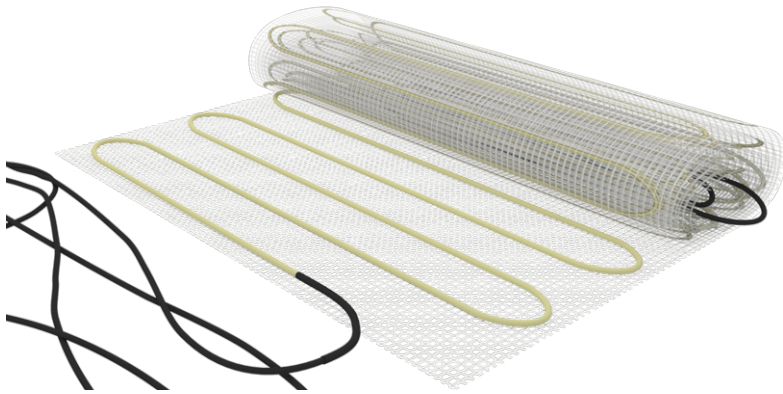


#### Acceptance of a flush-mounted socket (WDT) – ADD-TE UF/UI

- Four different versions: 1, 2, 3 and 4-fold
- As a milling in the hard foam support element for on-site acceptance
- Also as a factory-integrated WDT flush-mounted box

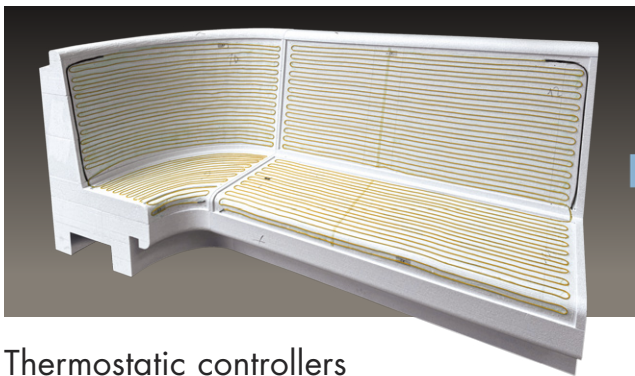
Electrical heating mat

**ADD-EH**



Optional for all CONCEPT-BA

- 280 W/m<sup>2</sup>, 230 V
- Factory-fitted
- Individually made to measure
- Incl. temperature sensor
- Separate thermostatic controllers
  - ADD-EH Z – different versions, with and without timer



Thermostatic controllers

**ADD-EH Z**

**A** ADD-EH ZA



**B** ADD-EH ZB



**C** ADD-EH ZC



**D** ADD-EH ZD



Suitable for electrical heating set – ADD-EH

- A** – without timer, 12 A, 230V AC
- B** – with timer, 12 A, 230V AC
- C** – for mounting in distribution cabinet set, 6 A, 230V AC, can be snapped onto 35 mm, DIN rail with illuminated digital display (space requirement 2HP)
- D** – with timer, 16 A, 230V AC LCD display

Water heating

**ADD-WH**



Milling for water heating

**ADD-WH F**



Optional for all CONCEPT-BA

**Water heating – ADD-WH**

- Factory-fitted
- Made to measure
- Built-in single-circuit heating system cable approx. 9.9 x 1.1 mm
- With transfer points and leak-tightness check

**Milling for water heating – ADD-WH F**

- Milling for the on-site installation of water heating
- Individually made to measure

## LUX ELEMENTS

Light – LED spot

### ADD-LI P

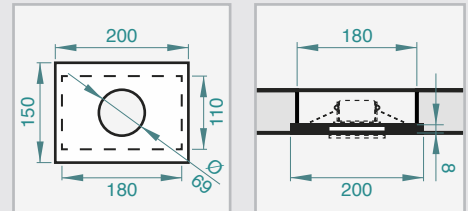


- RGBW – light colour 'colored' (RGB) and 'warm white' (WW, 3000 K)
- Cover in 5 colour variantes
- Protection class IP65/IP52
- Suitable controller – ADD-LI S
- Suitable remote control – ADD-LI F
- Suitable power supply units – ADD-LI N
- Mounting plate (hard plastic)

#### Basic principle

- 1 – Mounting plate**, hard plastic, factory-fitted
- 2 – Housing**, protection class IP65
- 3 – LED lamp**, RGB+W, protection class IP52
- 4 – Cover**, 5 different colour variantes

#### Assembly



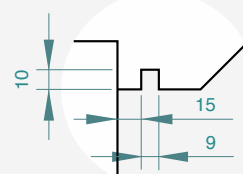
Light – LED light rope

### ADD-LI L



- Flexible, bendable in horizontal direction
- Light colour 'warm white' (WW, 3000 K) or 'colored' (RGB)
- Protection class IP67
- Length to measure, factory-made
- Suitable remote controls – ADD-LI F
- Suitable power supply units – ADD-LI N

#### Factory milling



... e.g. in a bench



Light – LED spot and LED light rope, accessories

**ADD-LI ...**



- A Controller – ADD-LI S**
- Suitable for ADD-LI P and ADD-LI L
  - Suitable for WW and RGB
  - Protection class IP20
- B Remote controls – ADD-LI F**
- in addition to ADD-LI S
  - To adjust the brightness of ADD-LI L (WW)
  - To select color and program of ADD-LI P and ADD-LI L (RGB)
  - Protection class IP20
  - Including wall mounting
- C Power supply units – ADD-LI N**
- Suitable for ADD-LI P and ADD-LI L
  - 3 models: 30, 100 and 250 W

Sound  
**ADD-SO**



- Structure-borne sound converter – ADD-SO KSW**
- For mid and high frequency sound reproduction on scillating surface
  - ‘Invisible loudspeaker’ – no negative influence on the wall design
  - Including a hanger bolt and an integrated mounting plate for secure fastening
  - Can be connected to conventional amplifiers
  - Dust-tight and waterproof according to IP 68

# LUX ELEMENTS – Systems for wellness

## Baths and pools

No wellness facility should be without pools and baths. LUX ELEMENTS manufactures individually planned straight, rounded or free-form pool walls and floors – also with overflow channels. We also supply matching extensions such as seats, stairs, platforms or technical solutions. These includes LED spots or jets. Even the realization of substructures for fiberglass pools (GRP) is possible.

We'll be glad to advise you on technical questions.



# ■ Systems for baths and pools

## Content

### ■ Baths and pools – LUX ELEMENTS®-CONCEPT POOL

General Information 60

<b>1</b>	<b>Walls and floors – LUX ELEMENTS®-CONCEPT POOL-BE</b> .....	62 – 65
	■ <b>POOL-BE G</b> – Straight, angular .....	62
	■ <b>POOL-BE R</b> – Round, rounded .....	64
<b>2</b>	<b>Extensions – LUX ELEMENTS®-CONCEPT POOL-EW</b> e.g. benches, stairs, platforms .....	66
<b>3</b>	<b>Technical solutions – LUX ELEMENTS®-CONCEPT POOL-TE</b> e.g. LED spots, jets, inlets and outlets .....	67
	<b>Pool heads / overflow channels – LUX ELEMENTS®-CONCEPT POOL-BK</b> .....	68
	<b>Substructures – LUX ELEMENTS®-CONCEPT POOL-UK</b> positiv, negativ – for fiberglass pools .....	69

## LUX ELEMENTS

Baths and pools

### CONCEPT POOL



LUX ELEMENTS is your specialist for bespoke productions in individual wellness facilities, e.g. individually planned pools or whirlpools, children's and plunge pools as well as technical or other built-in components in the swimming pool area.

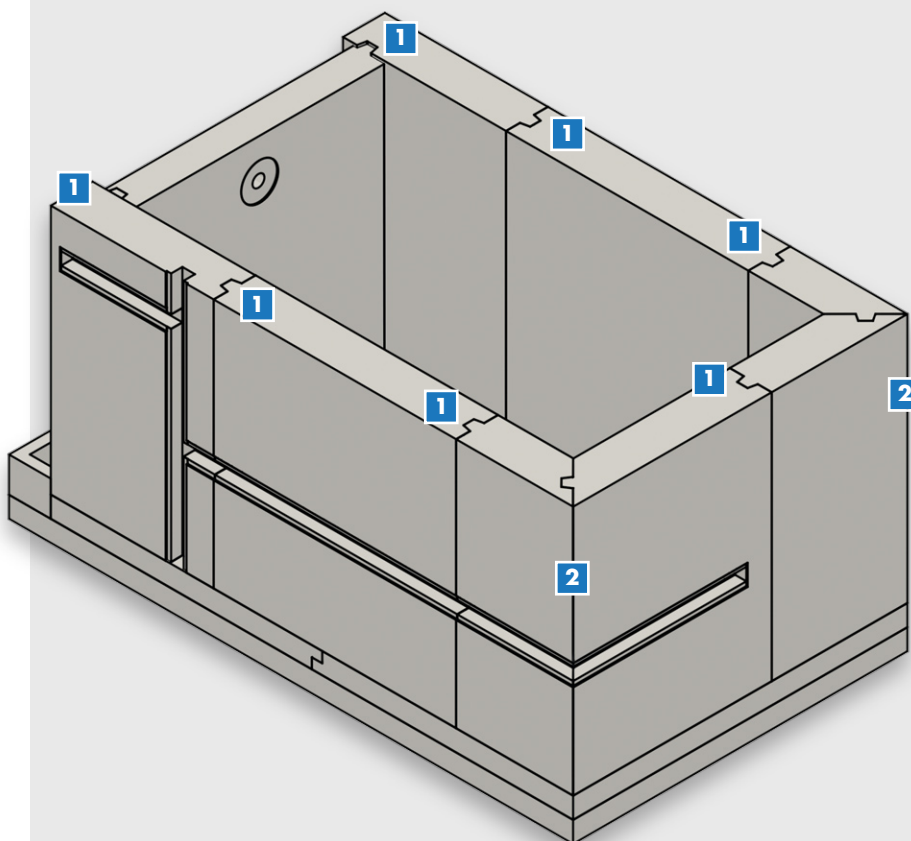
Our competence:

- **Pools** (walls, floors) – straight, rounded or as free-form
- **Extensions** – benches, stairs, platforms, etc.
- **Technical solutions** – LED spots, jets, inlets and outlets, etc.
- **Pool heads/overflow channels** – shaping for later technical components
- **Substructures** – positiv or negativ, for fiberglass pools (GPR)

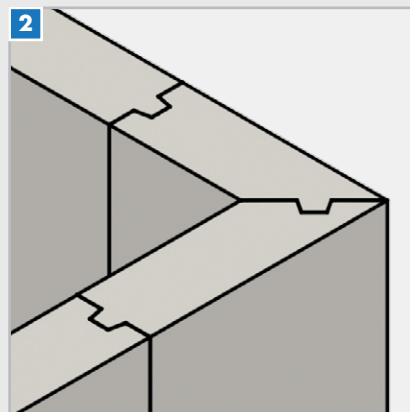
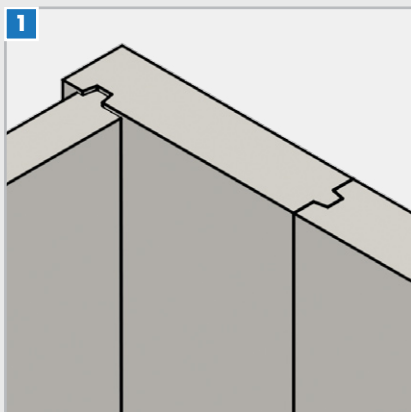


■ **Technical information concerning connections**

The method of construction for the connection of the individual components ensures decisive advantages:



- Fast and simple assembly thanks to optimised fitting accuracy of the elements
- High production accuracy thanks to the use of state-of-the-art cutting technologies



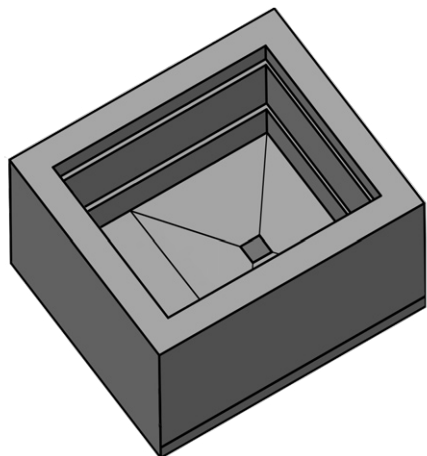
- Self-levelling panel connection thanks to V-groove
- Corners glued in the factory

**PLEASE NOTE:** Design varies depending on the wall thickness. Pictures show the design with a wall thickness of 200 mm.

## LUX ELEMENTS

Straight, angular shapes

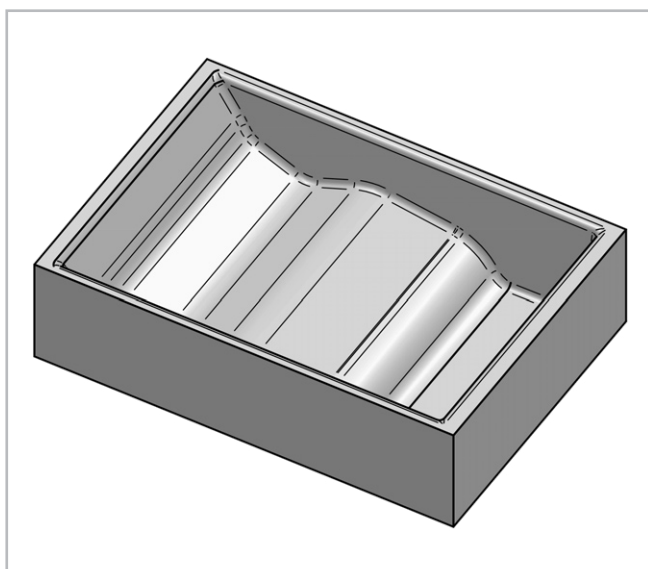
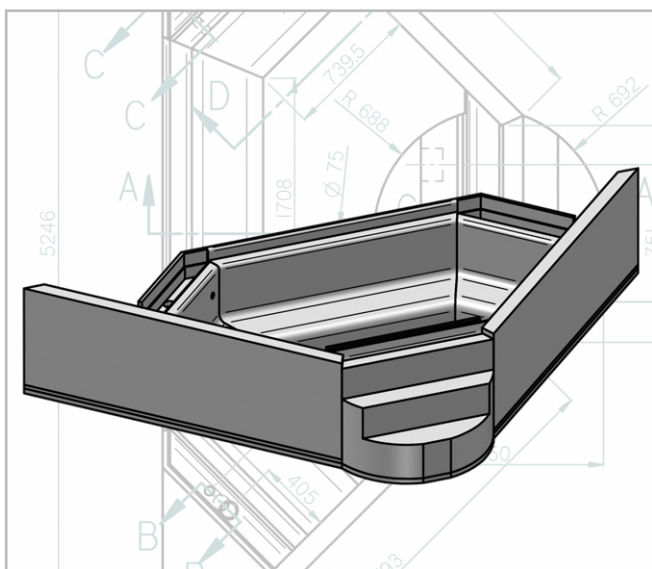
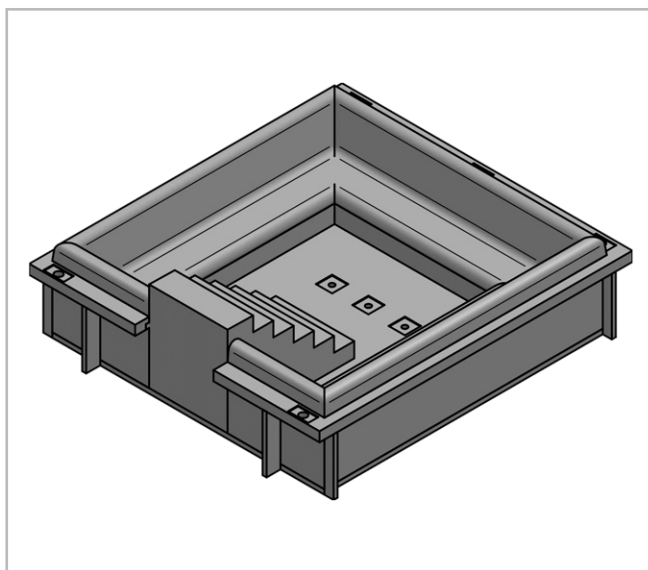
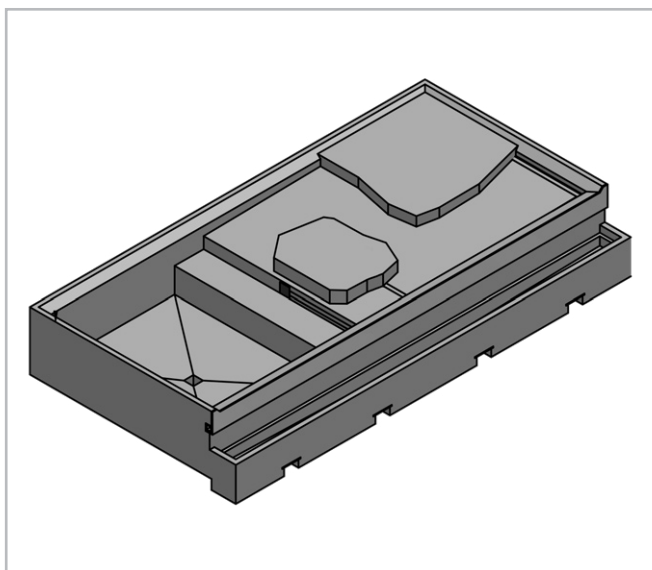
### POOL-BE G

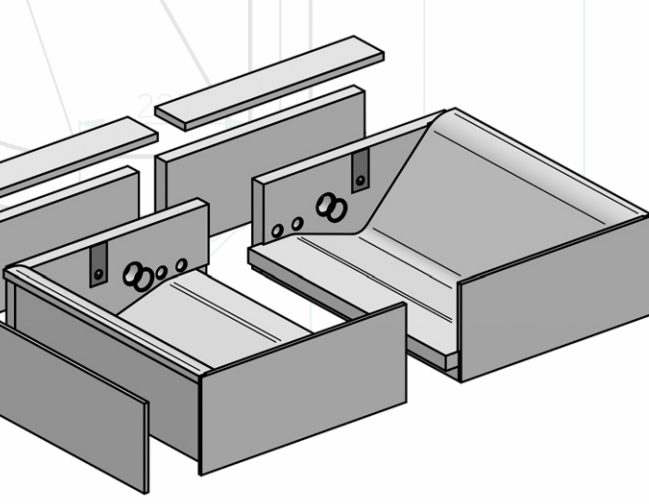
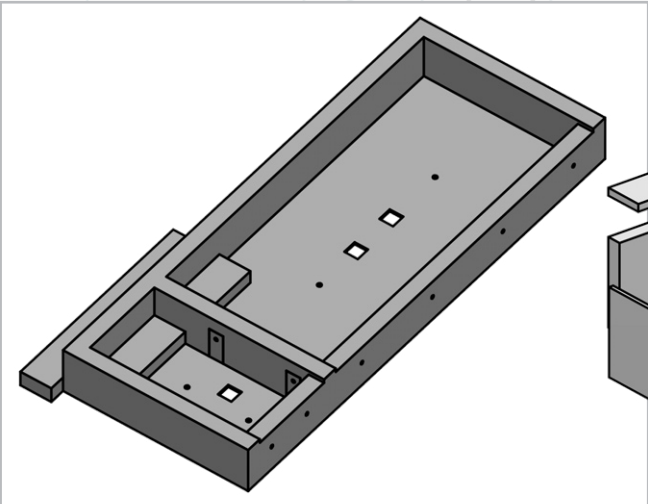
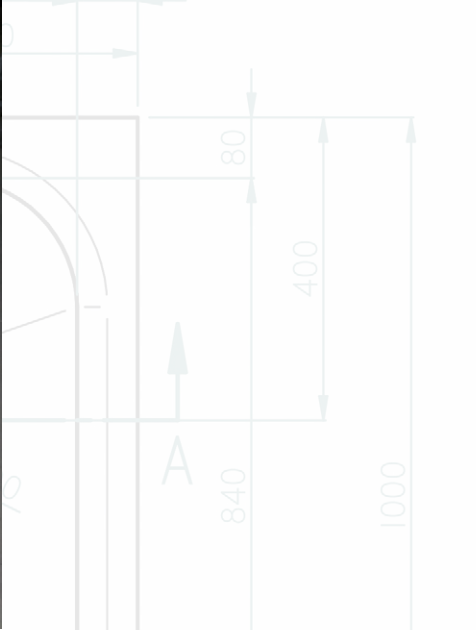
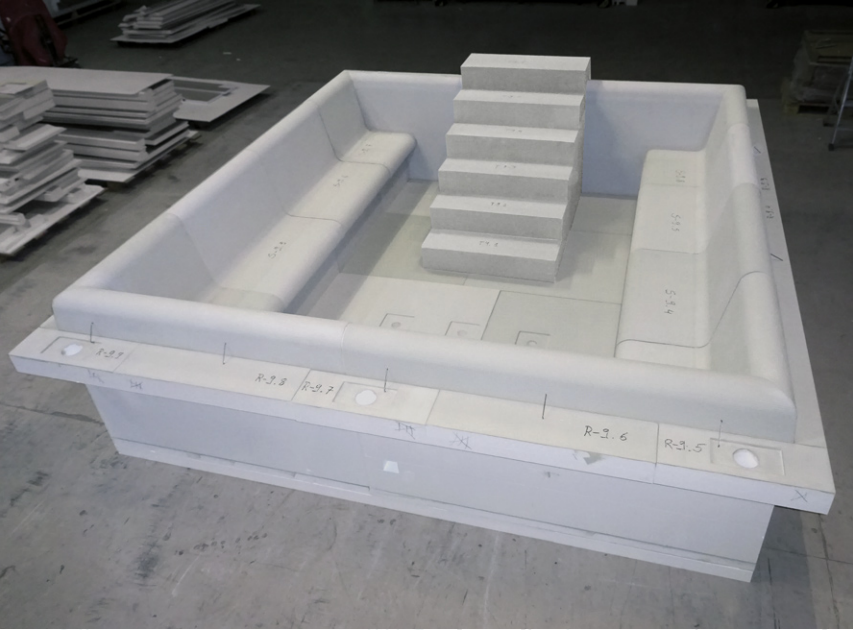
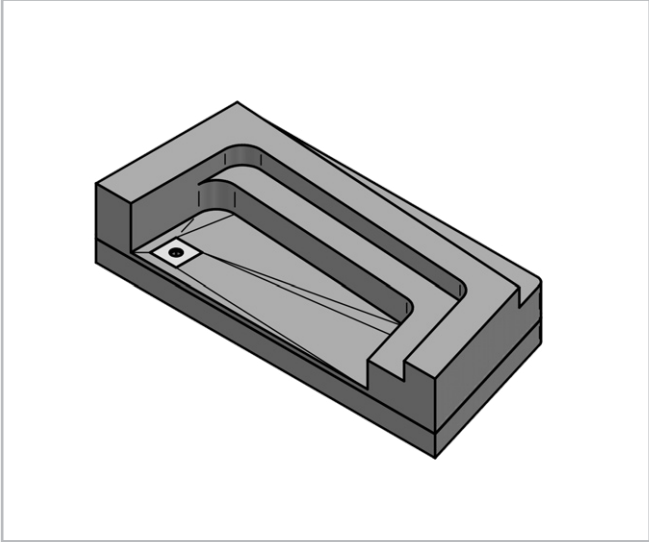
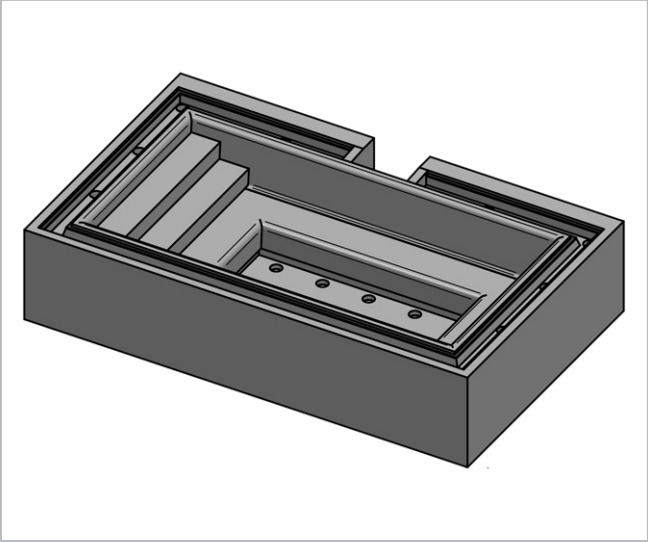


- Walls and floor made of hard foam support elements for square, rectangular, or polygonal pools

- Optional: Extensions and/or technical solutions  
→ page 66/67

- **Accessories (optional):**  
Individually compiled assembly and sealing material

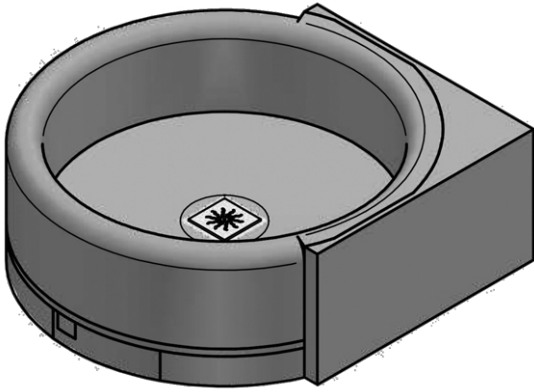




# LUX ELEMENTS

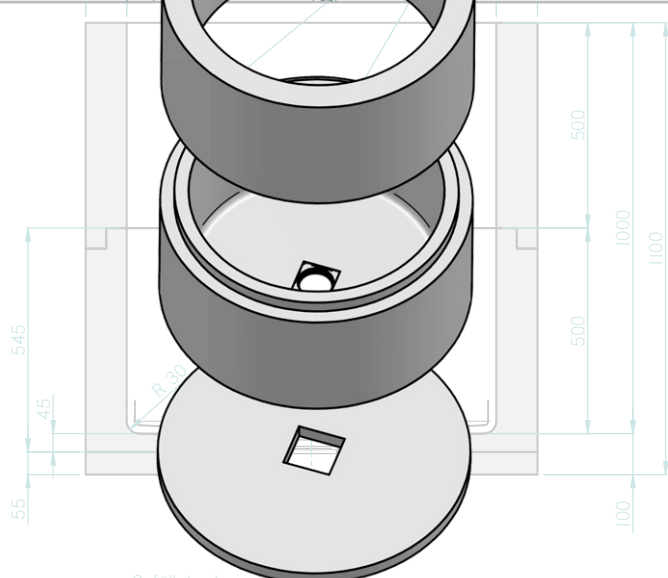
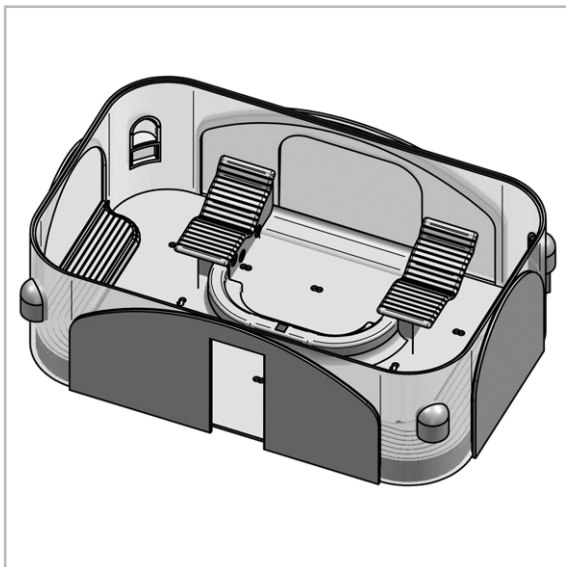
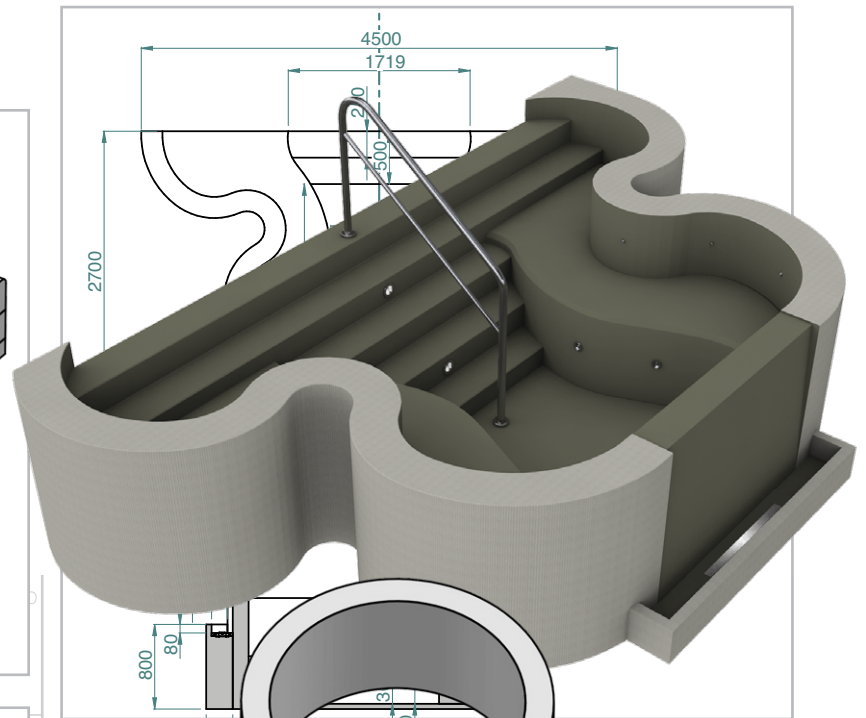
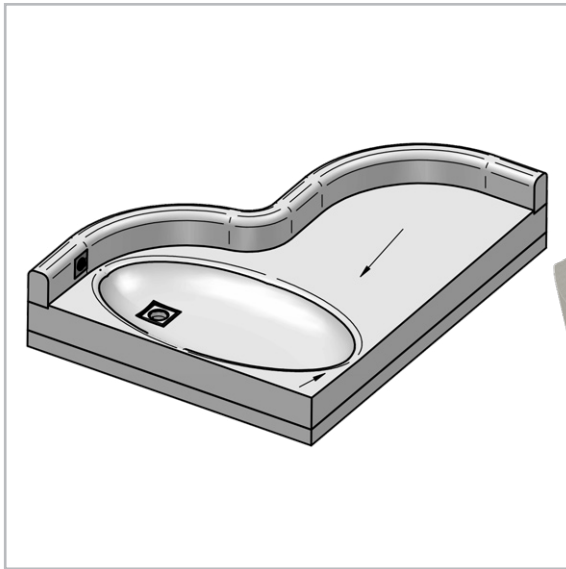
Round, rounded shapes

## POOL-BE R



- Walls and floor made of hard foam support elements for round or rounded pools
- Optional: Extensions and/or technical solutions  
→ page 66/67

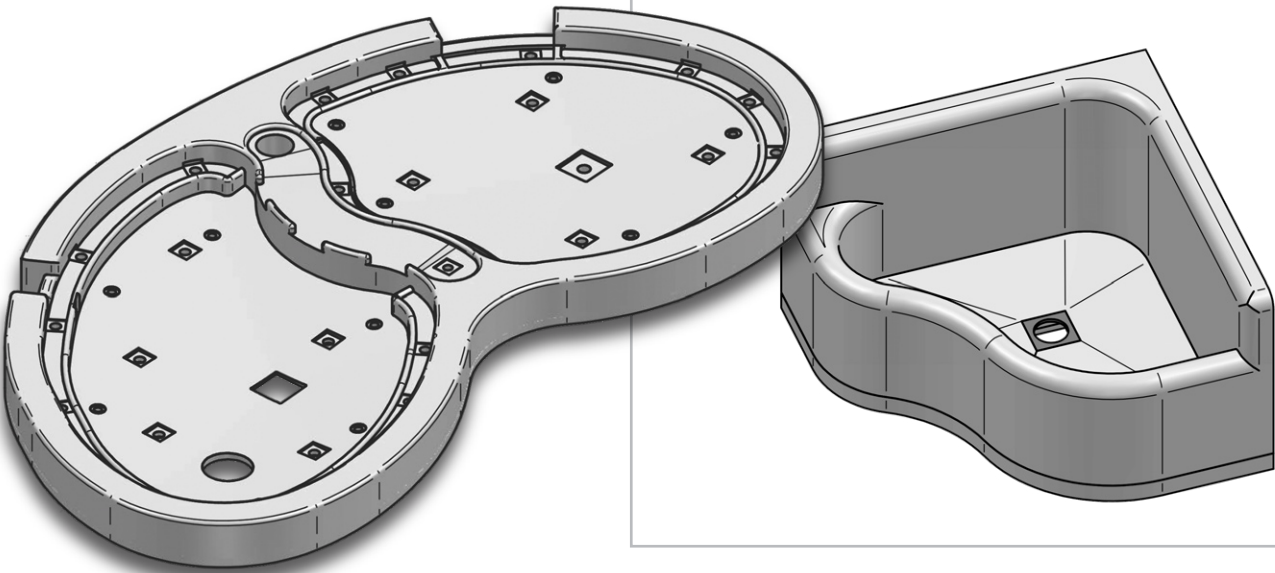
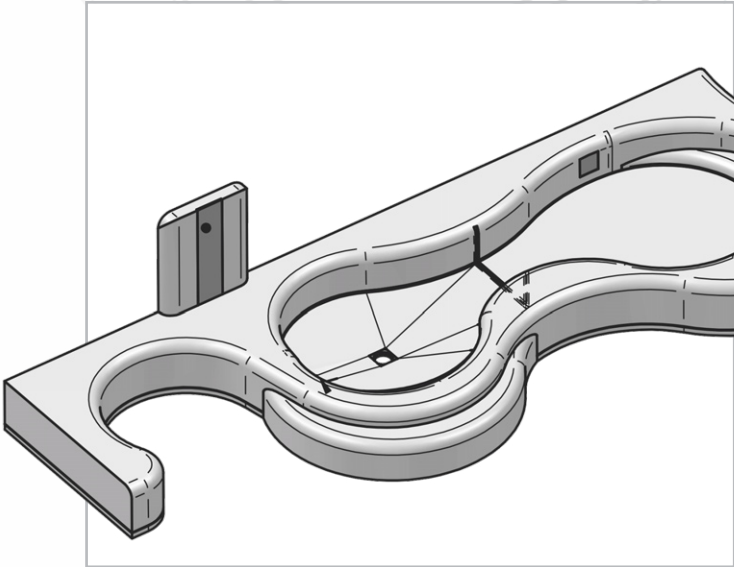
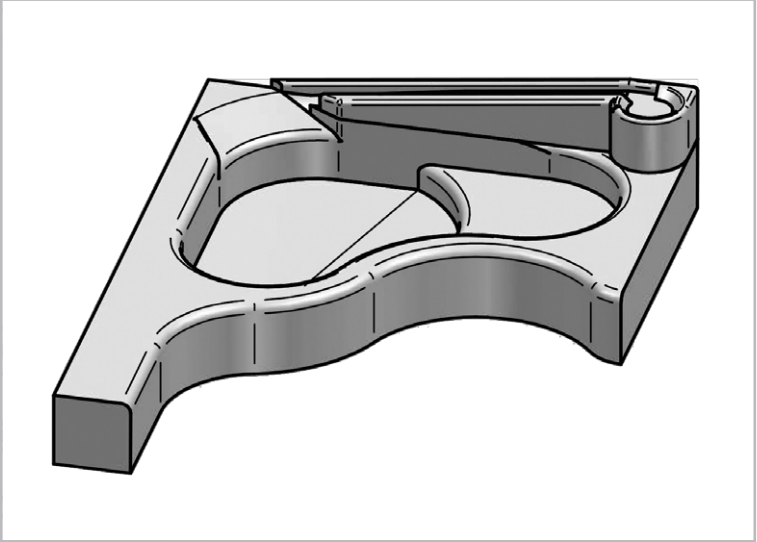
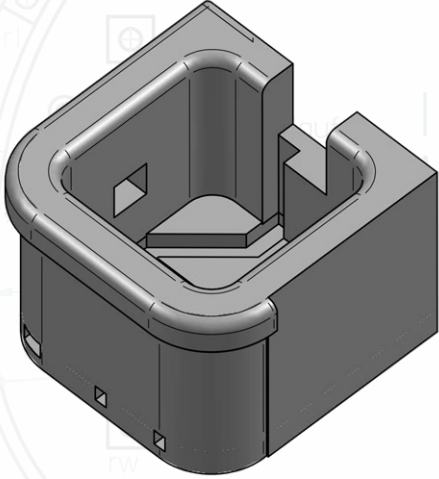
- **Accessories (optional):**  
Individually compiled assembly and sealing material



Gefälleboden  
beidseitig beschichtet  
Oberseite abgedichtet

Freigabe zur Fertigung

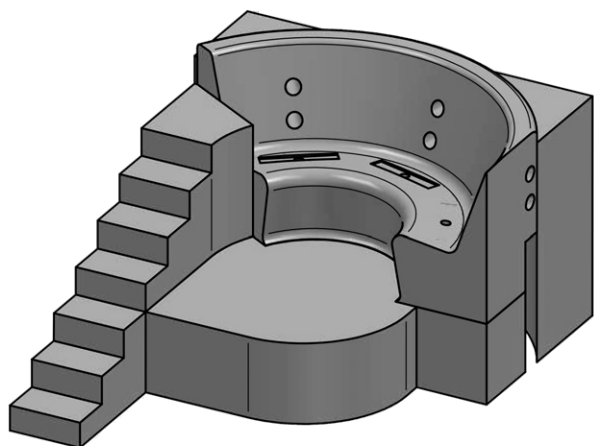




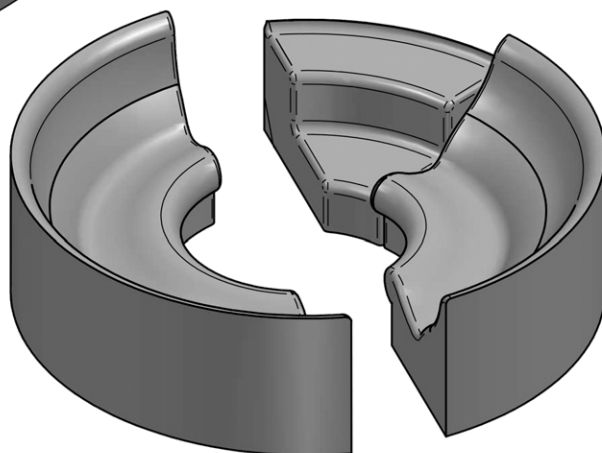
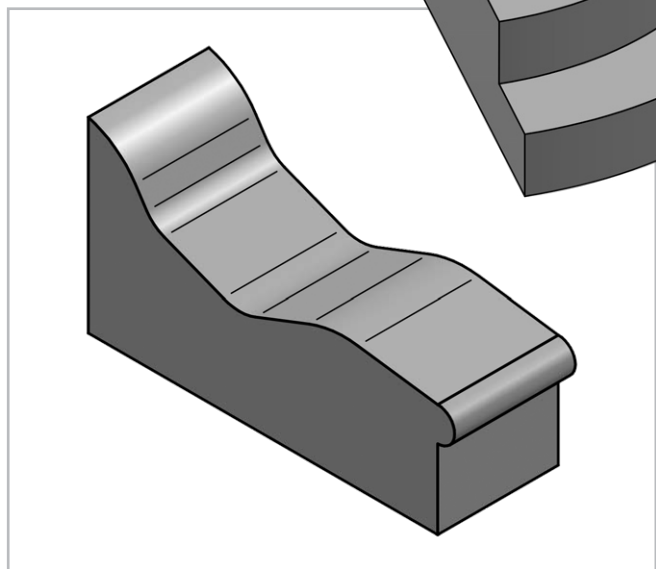
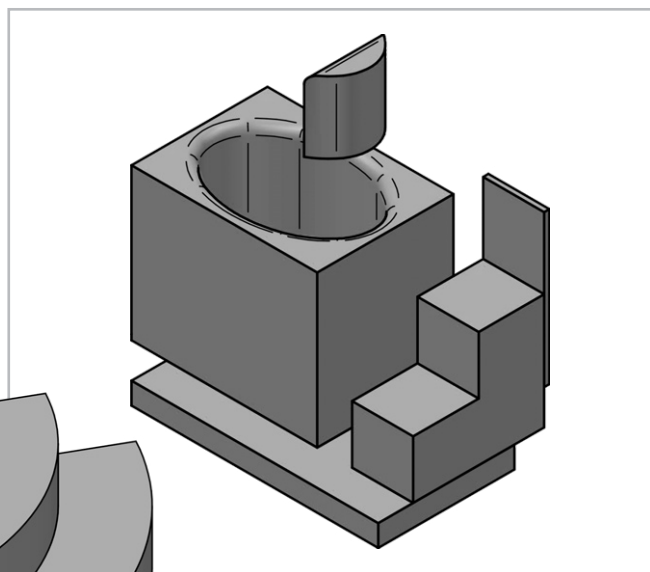
## LUX ELEMENTS

Extensions

### POOL-EW

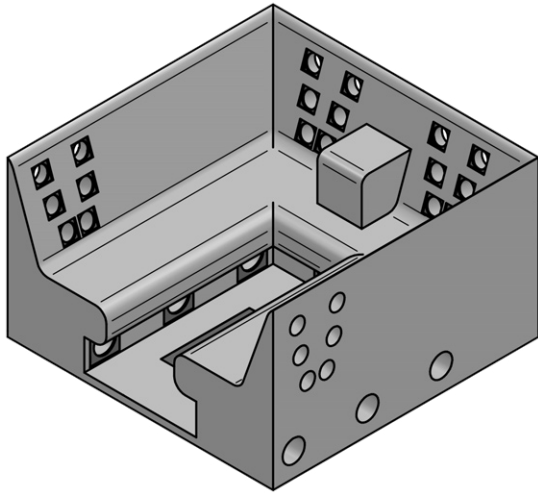


- Suitable for installation in pool structures made of hard foam support elements or concrete
- Stairs in straight and round shapes
- Platforms
- Benches
- Accessories (optional):  
Individually compiled assembly and sealing material

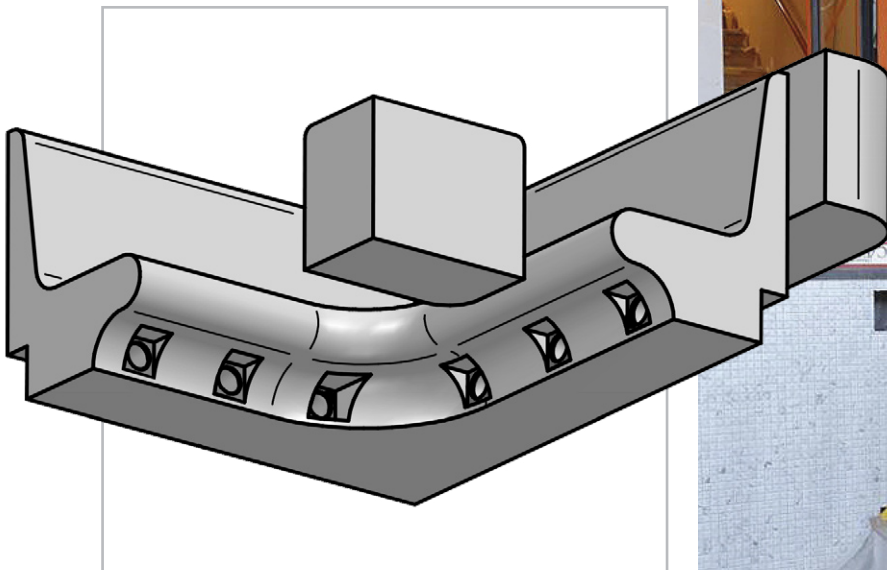


Technical solutions

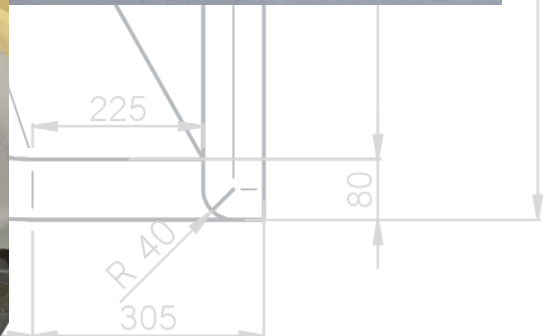
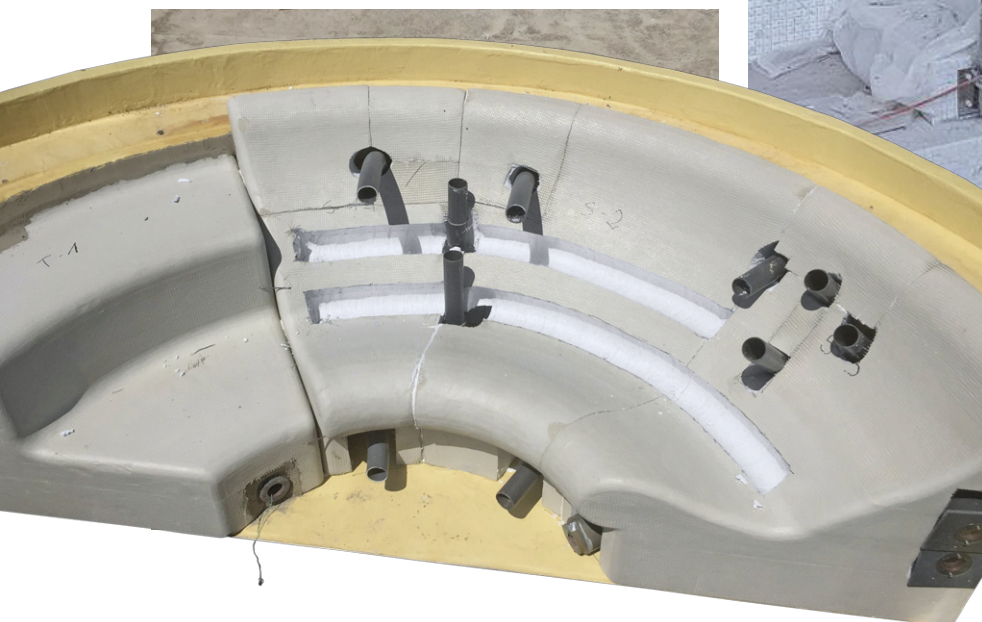
**POOL-TE**



- Prefabrication of recesses for fixtures, pipes, and technical components
- Factory integration of flush-mounted and built-in components, such as...
- Railing fastenings
- Accessories (optional):  
Individually compiled assembly and sealing material



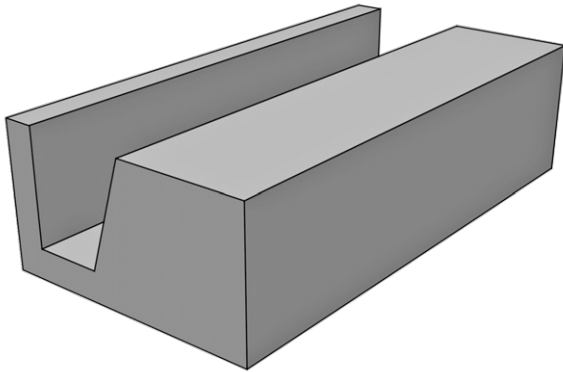
1000



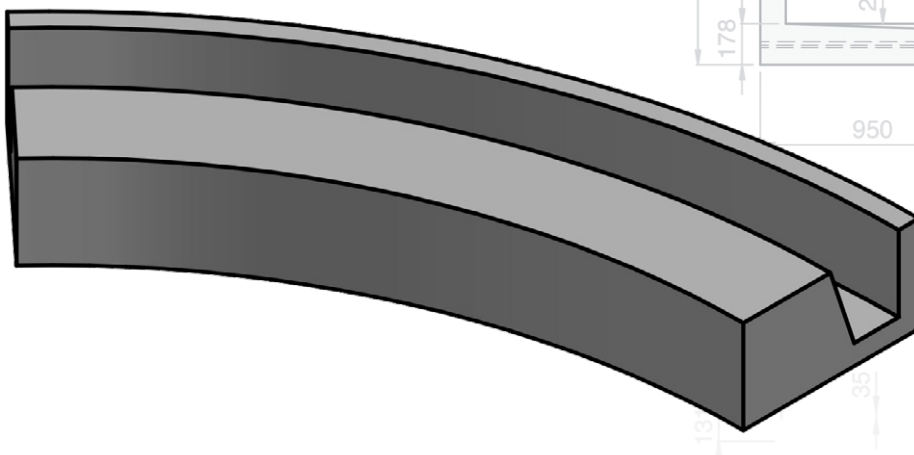
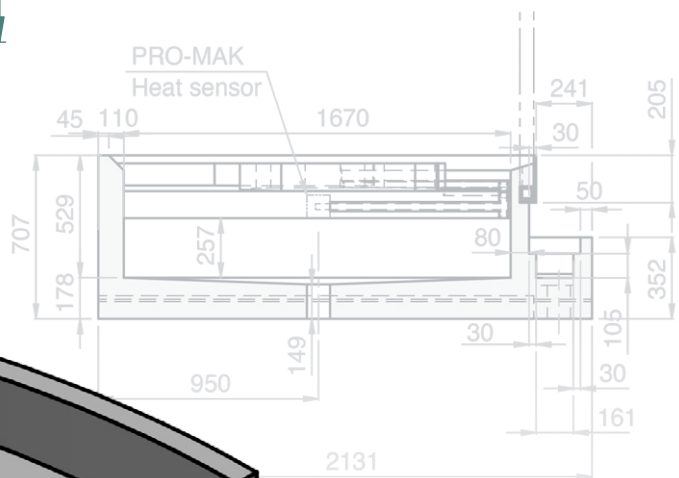
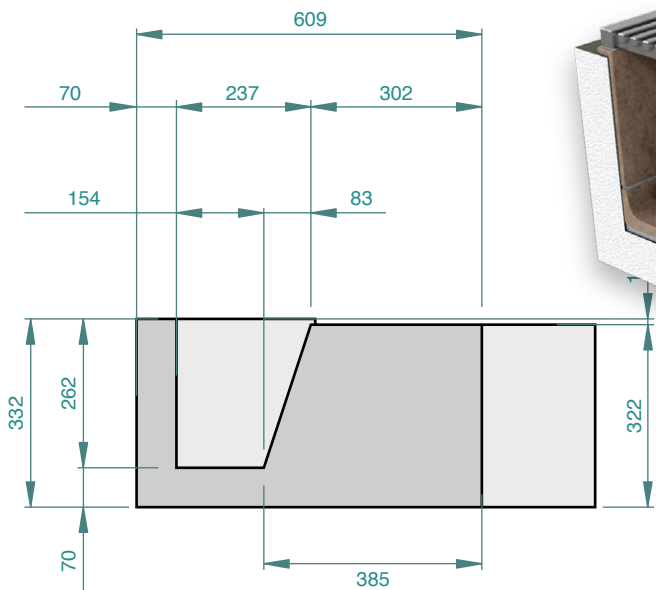
# LUX ELEMENTS

Pool heads / overflow channels

## POOL-BK

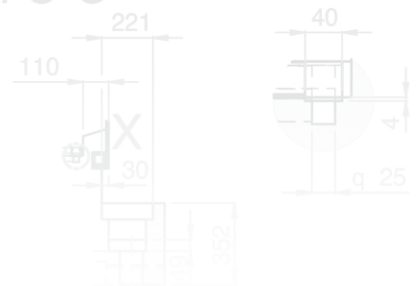


- Individual straight and rounded shapes
- Different channel cross-sections and dimensions
- Prefabrication to specific tile dimensions possible
  
- **Accessories (optional):**  
Individually compiled assembly and sealing material



Section C-C

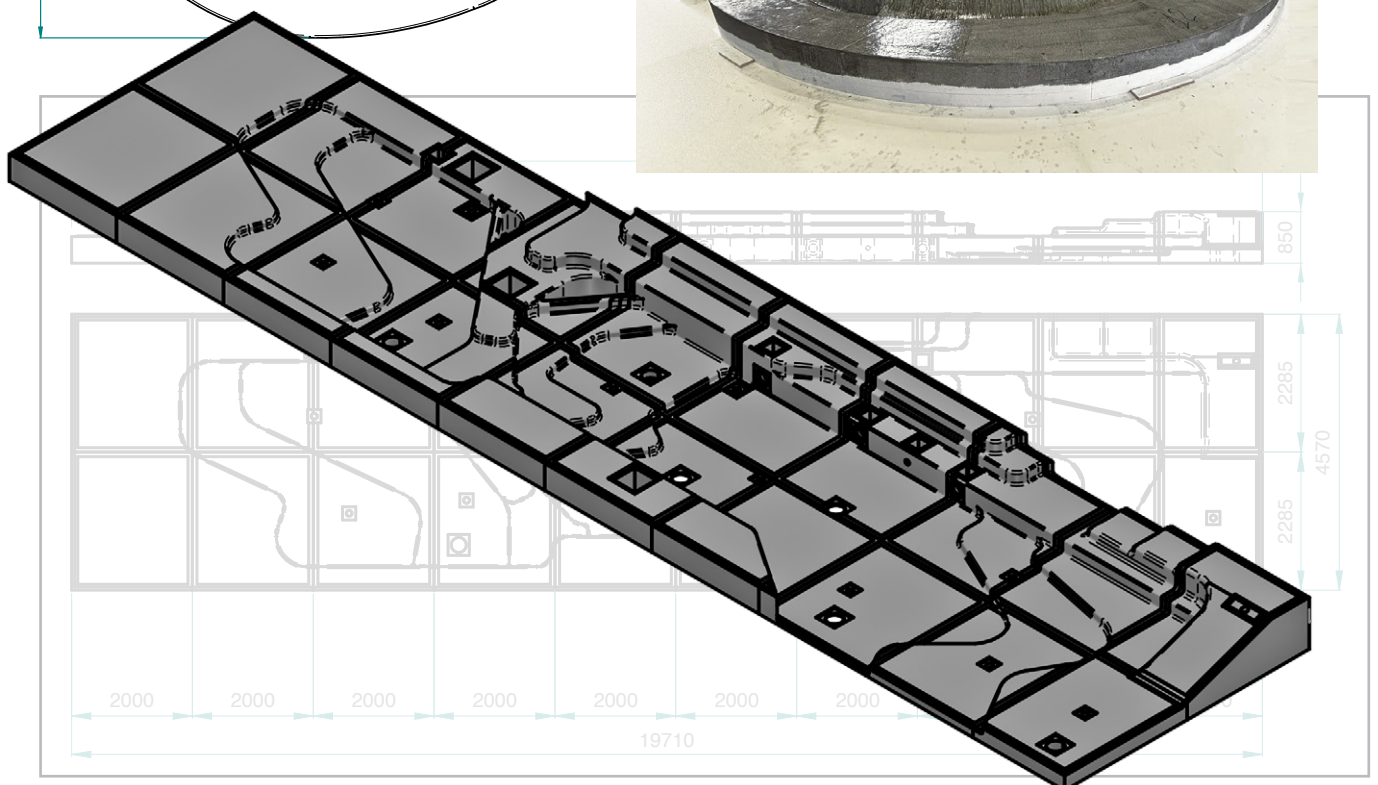
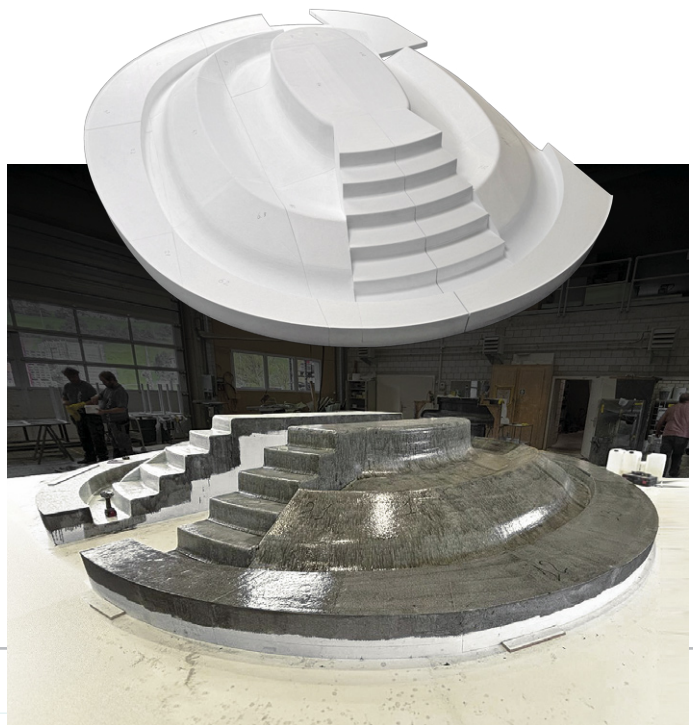
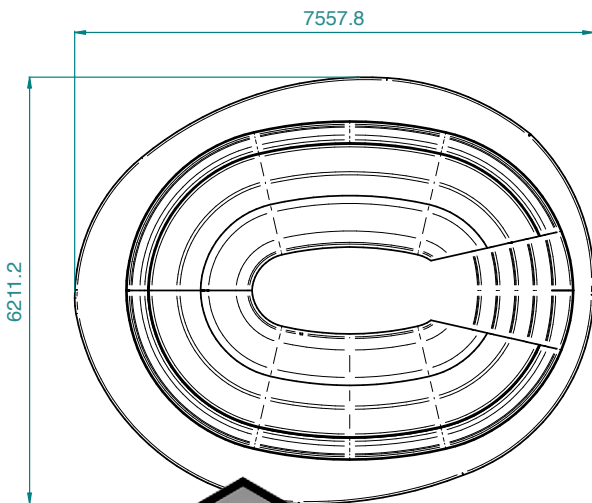
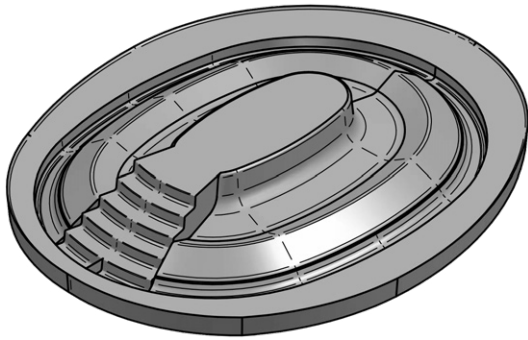
Detail X  
1:5



Substructures

**POOL-UK**

- Negative and positive substructures for the construction of fiberglass pools (GPR)
- Hard foam with or without factory coating
- Accessories (optional): Individually compiled assembly and sealing material



# LUX ELEMENTS – Systeme for wellness

## Components and wellness products

These products can be combined both with room constructions and with one another, thus giving a wellness area an homogeneous overall appearance:

- Round shower and curved shower
- Individual shower units for the commercial building sector
- Massage tables, footbaths, fountains and columns
- Relaxation loungers – with or without heating
- Decorative elements



# ■ Systems for components and wellness products

## Content

### 1 Round and curved shower / Shower units

General Information 72

■ RELAX-RD – Round shower .....	74
■ RELAX-SD – Curved shower .....	76
■ RELAX-SHOWER – Shower units .....	78

### 2 Furnishings / Relaxation loungers / Decorative elements

General Information 80

■ FURNITURE – Furnishings .....	82
■ RELAX-RL – Relaxation loungers .....	84
■ DECO – Decorative elements .....	86





# Shower units

A shower or shower unit is a must in every wellness area, ideally a shower flush with the floor. Design and technology must fulfil particularly high requirements here, as these showers are frequently in use. Cleaning and care are also important aspects.

In the shower systems from LUX ELEMENTS, you have found a durable and robust solution that meets these requirements. You can choose from standard building kits or design your shower unit individually in single-part or series production.

For each wall shape, we supply on request a matching shower base **with gradient and drainage technology** as well as tested mounting material.

We will be happy to advise you on any issue concerning the installation of fittings and shower equipment.



# Round showers and curved showers

LUX ELEMENTS manufactures kits for round showers or curved showers with these components:

Construction:

- Roof element
- Shower partition wall elements
- Shower base element and substrate element

Accessories:

- Installation panel for the fastening of fittings
- End element for edges

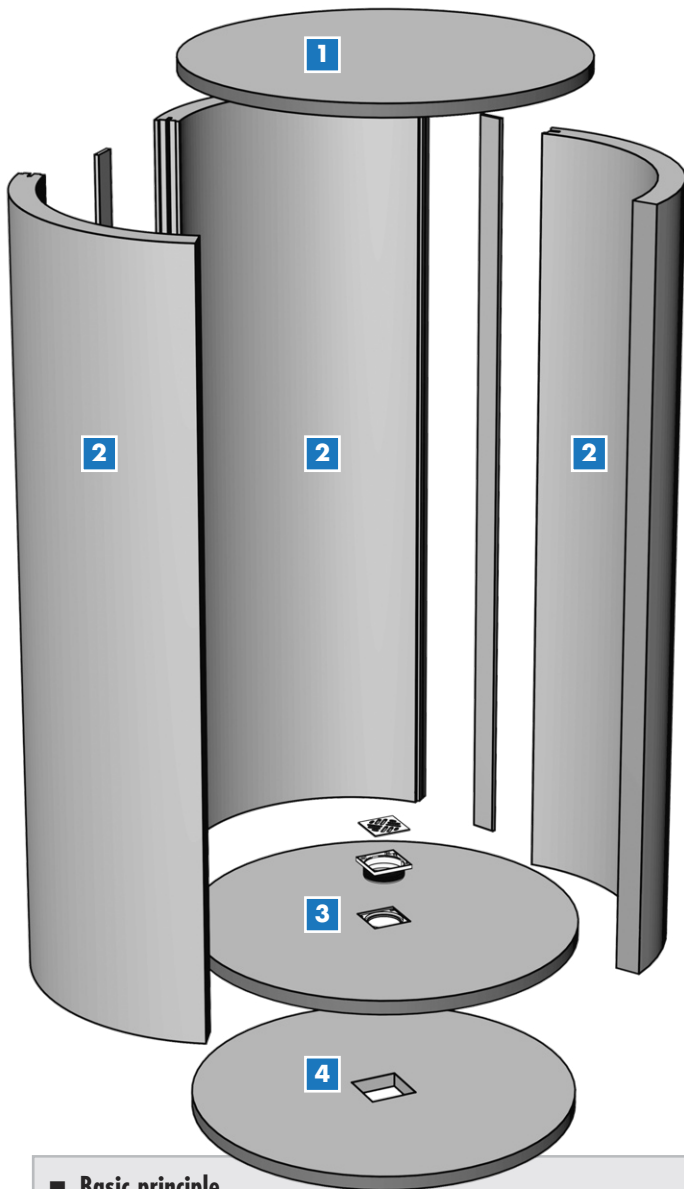
Available as a standard item or as an individual custom-made product.



## LUX ELEMENTS

Round shower

### RELAX-RD



#### ■ Basic principle

- 1 – Roof element**, single-sectioned, 40 mm thick
- 2 – Wall elements**, 3 segments, stable connection, 80 mm thick
- 3 – Shower base element**, factory sealed with prefabricated gradient and floor drain fitting frame
- 4 – Substrate element**, fits the floor element, 55 mm thick

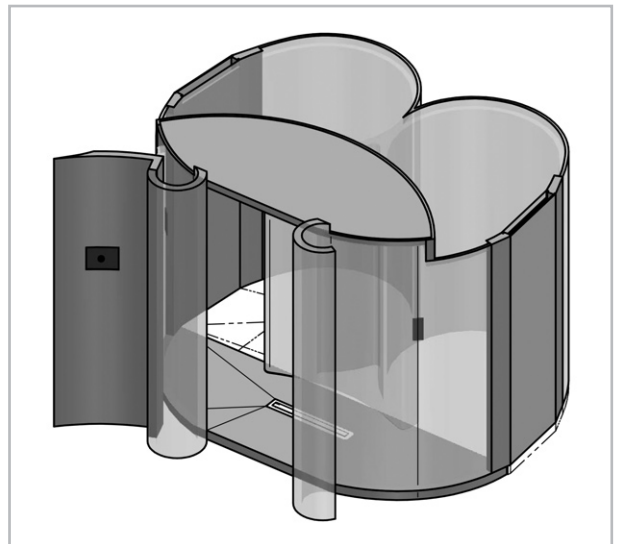
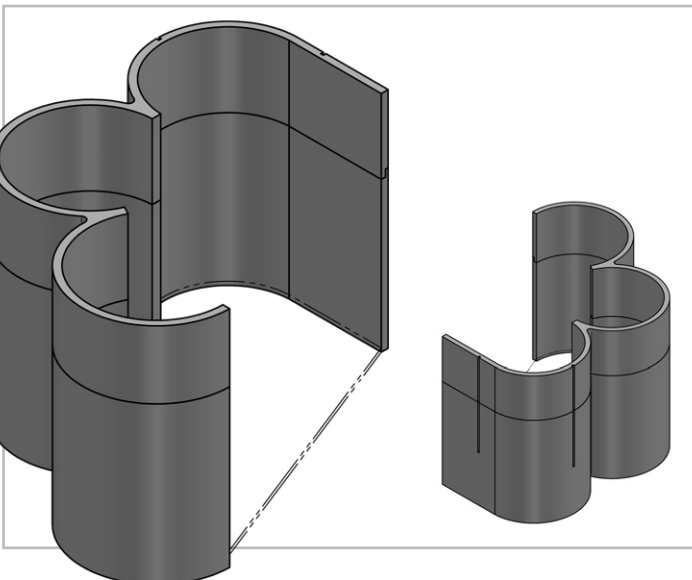
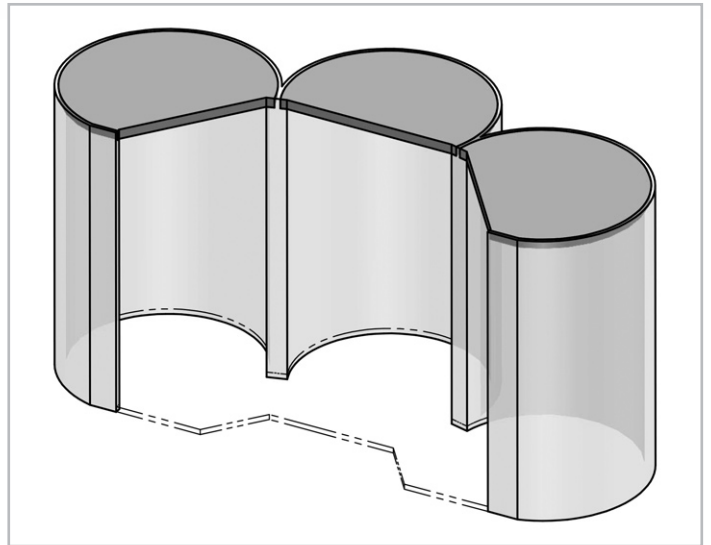
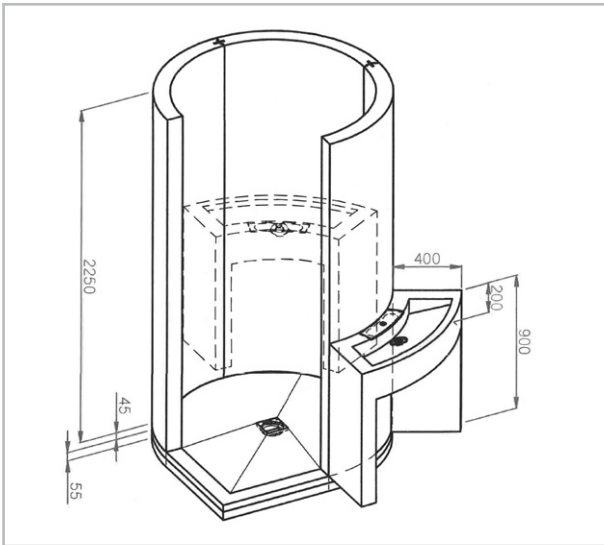
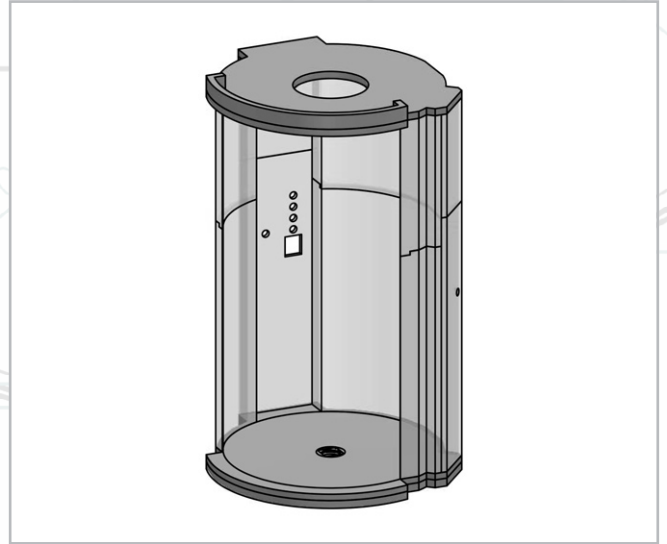
#### Building kit for a round shower – RELAX-RD

- **Roof element** – optional
- **Shower partition wall elements**
  - in 3 segments
  - with stable connection
  - page 11
- **Shower base element** – optional
  - factory sealed with prefabricated gradient and floor drain fitting frame
- **Suitable drainage systems** – TUB-BA
  - page 26
- **Accessories (optional):**
  - Installation panel – ADD-TE IPA
    - for the fastening of fittings
    - page 50
  - Finishing element for edges – DECO-AE
    - page 86
  - Individually compiled assembly material

# ROUND AND CURVED SHOWERS / SHOWER UNITS

## ROUND SHOWER

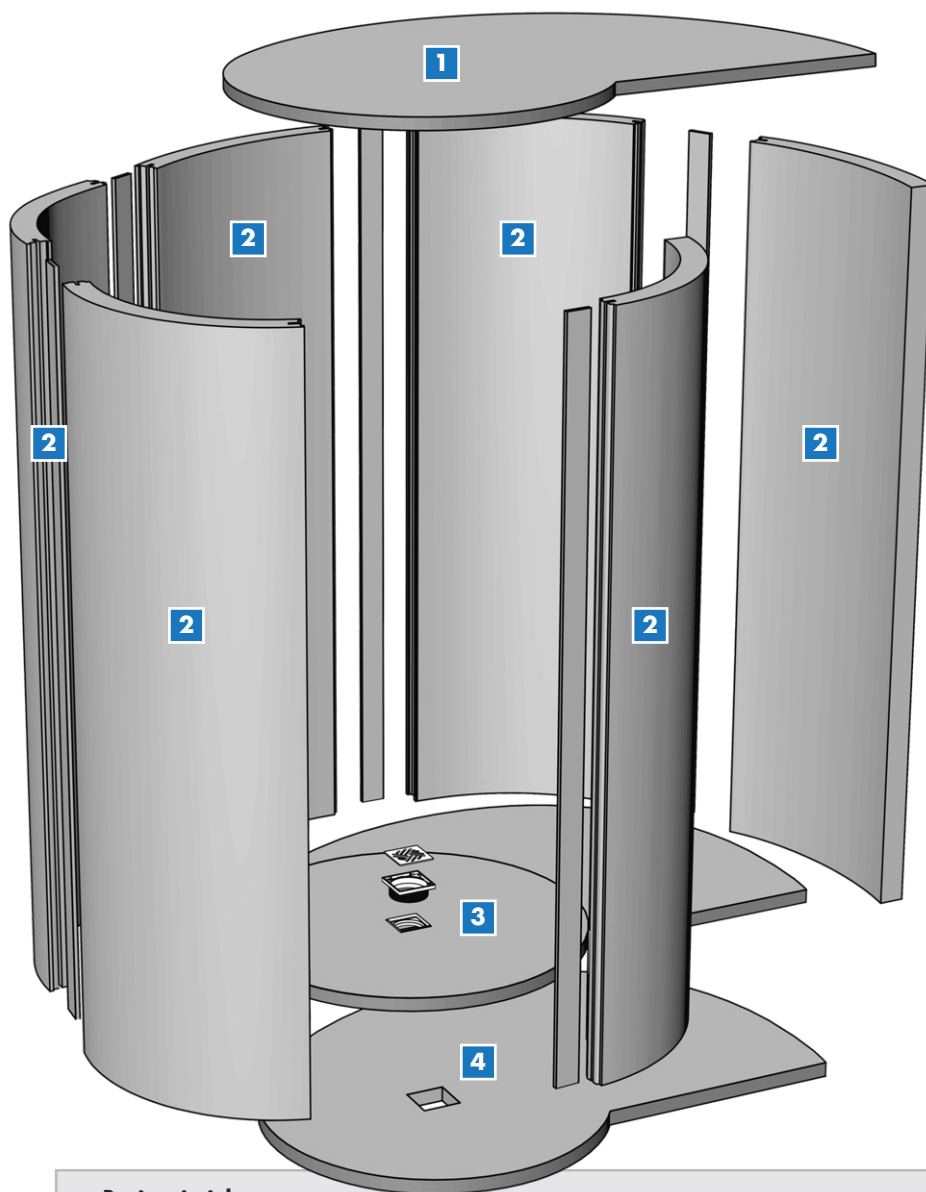
- **Special shapes** – alternatively we can also realise your individual planning as a customised product



## LUX ELEMENTS

Curved shower

### RELAX-SD



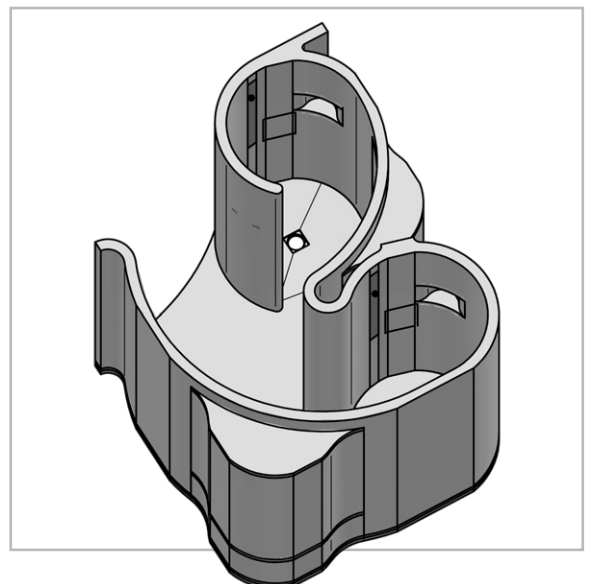
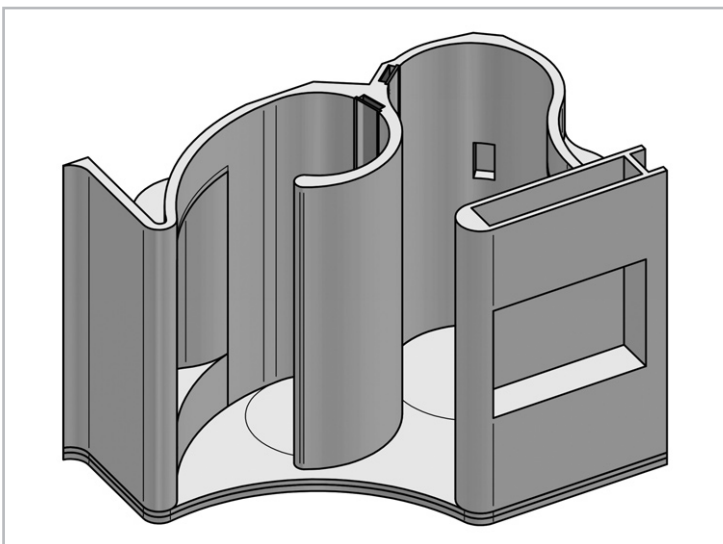
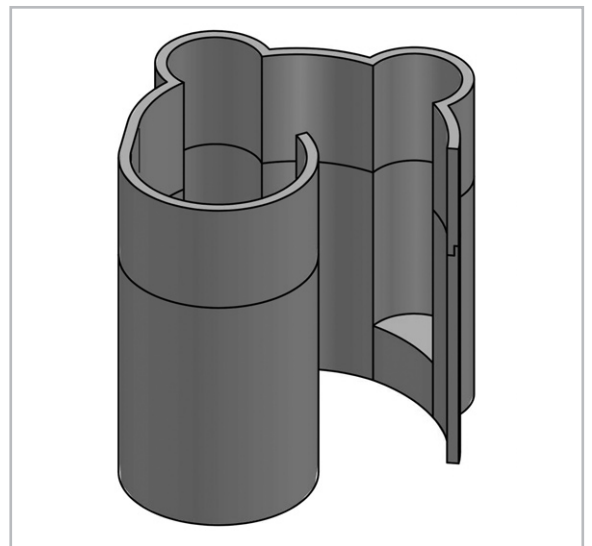
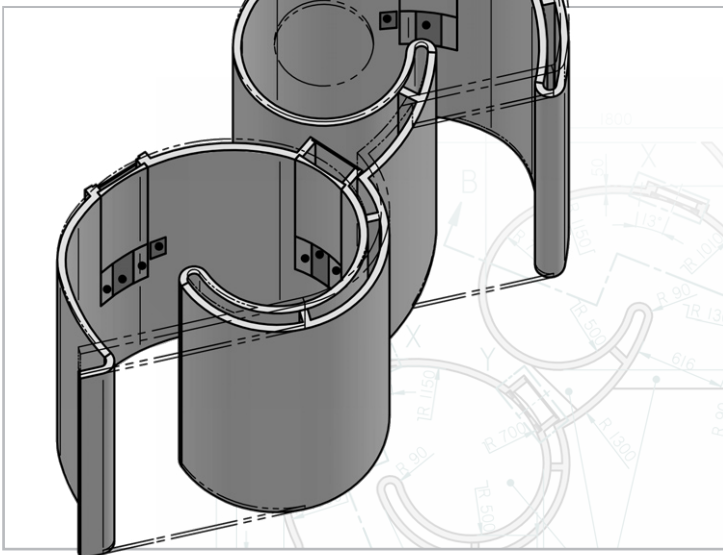
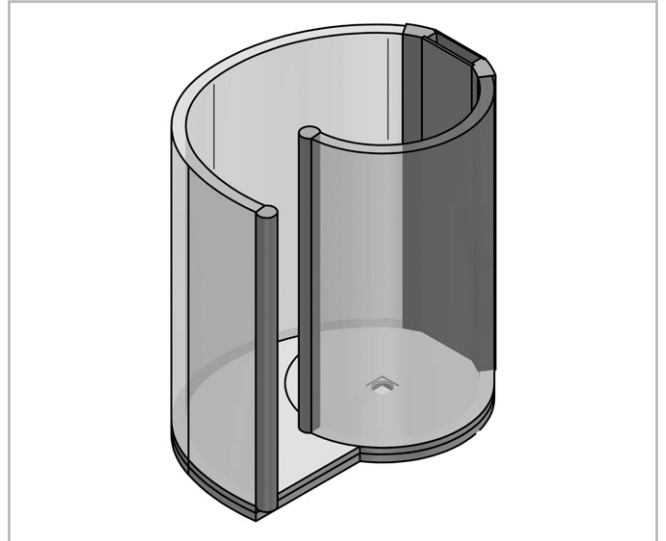
#### ■ Basic principle

- 1 – Roof element**, single-sectioned, 40 mm thick
- 2 – Wall elements**, 6 segments, stable connection, 80 mm thick
- 3 – Shower base element**, factory sealed with prefabricated gradient and floor drain fitting frame
- 4 – Substrate element**, fits the floor element, 55 mm thick

#### Building kit for a curved shower – RELAX-SD

- **Roof element** – optional
- **Shower partition wall elements** in 3 segments with stable connection  
→ page 11
- **Shower base element** – optional factory sealed with prefabricated gradient and floor drain fitting frame
- Suitable drainage systems – TUB-BA  
→ page 26
  
- **Accessories (optional):**
  - Installation panel – ADD-TE IPA for the fastening of fittings  
→ page 50
  - Finishing element for edges – DECO-AE  
→ page 86
  - Individually compiled assembly material

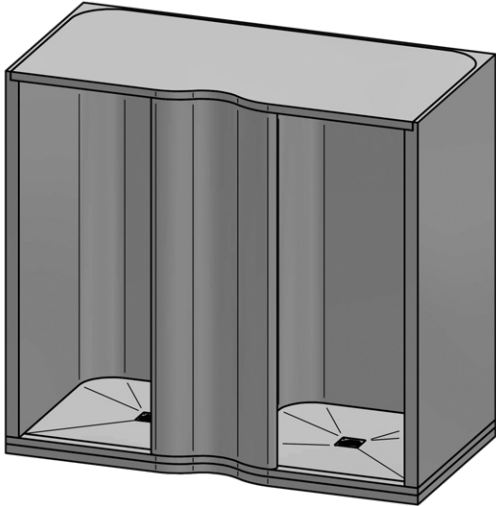
- **Special shapes** – alternatively we can also realise your individual planning as a customised product



## LUX ELEMENTS

### Shower units

### **RELAX-SHOWER**

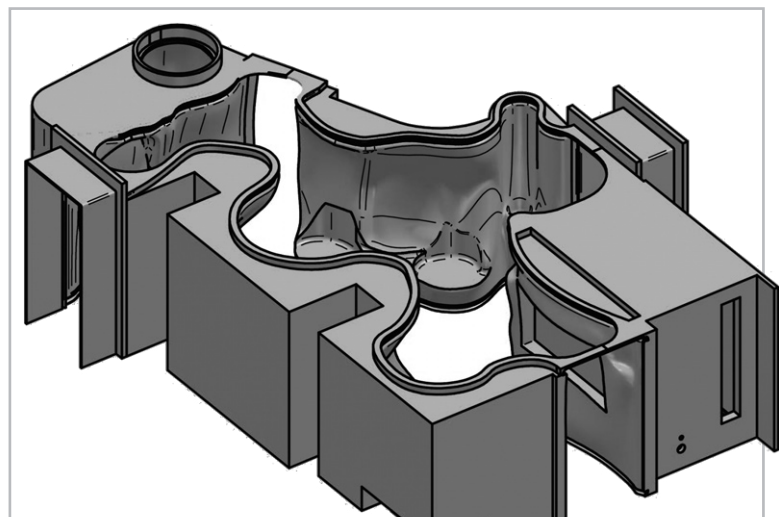
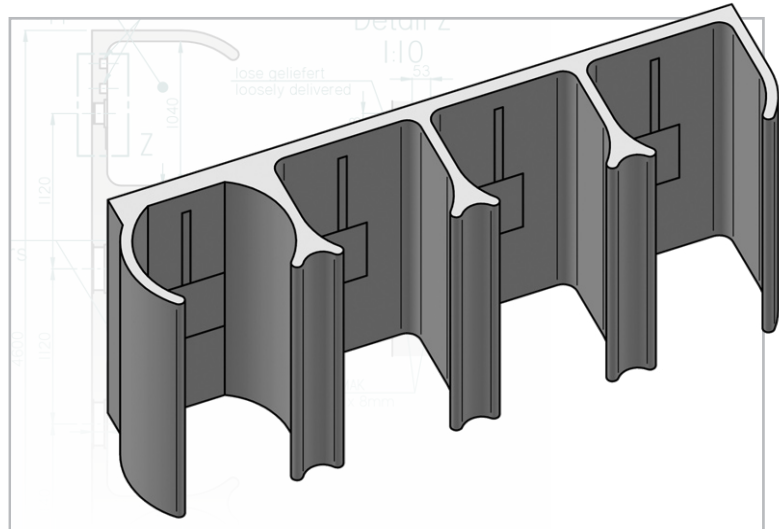
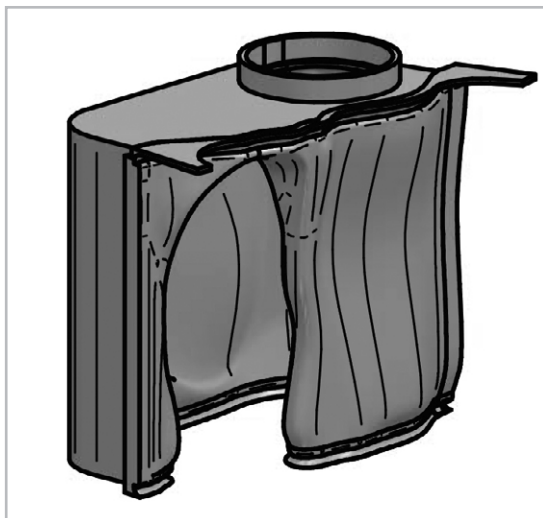


#### Shower units – RELAX-SHOWER

LUX ELEMENTS is your specialist for bespoke productions in individual wellness facilities. Here you can see examples of individually planned shower units made of hard foam support elements.

#### Our competence:

- Shower units – round or straight shapes in a row or at an angle, combinable with glass and metal constructions or fixtures for installations



ROUND AND CURVED SHOWERS / SHOWER UNITS  
SHOWER UNITS

TEPIDARIUM  
MALE  
2020-0342-01

Aufbau-  
chablone  
construction  
template

Wände  
25  
W

STEAM  
MA

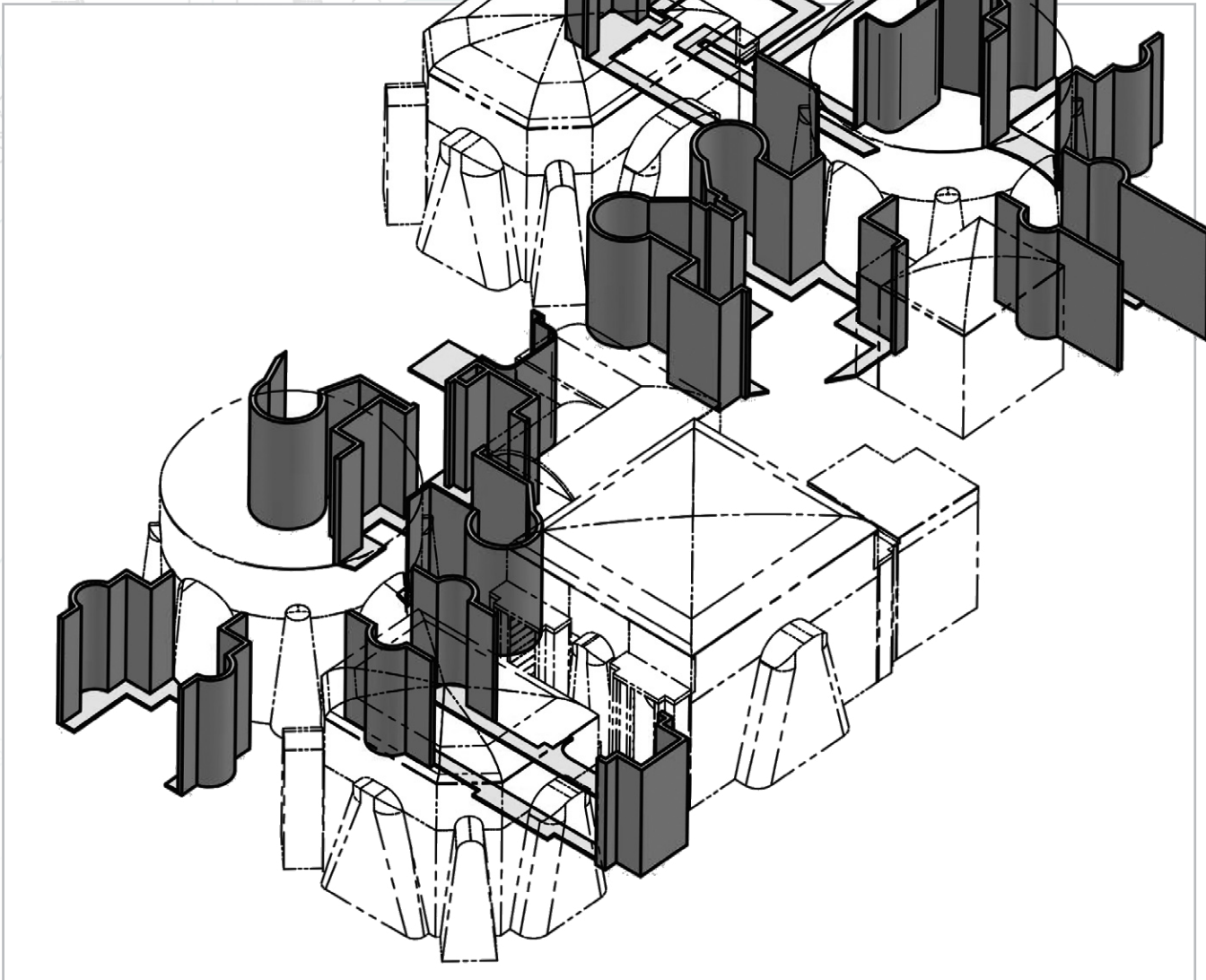
HAMMAM  
MALE  
2020-034

ch  
m

one  
emplate

hoch  
00mm

blone  
n template



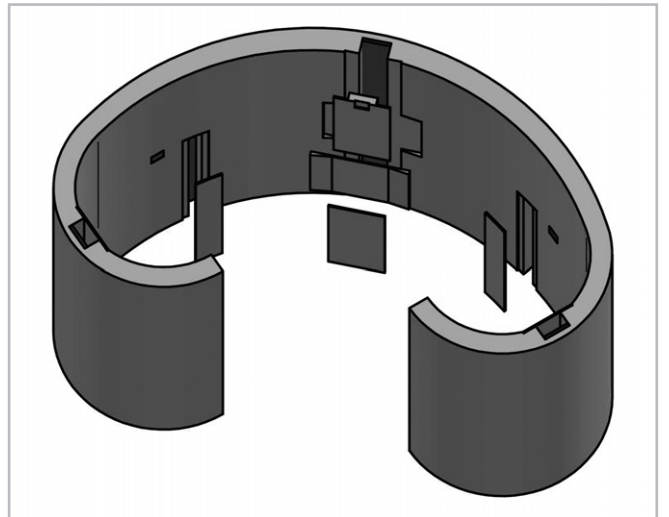
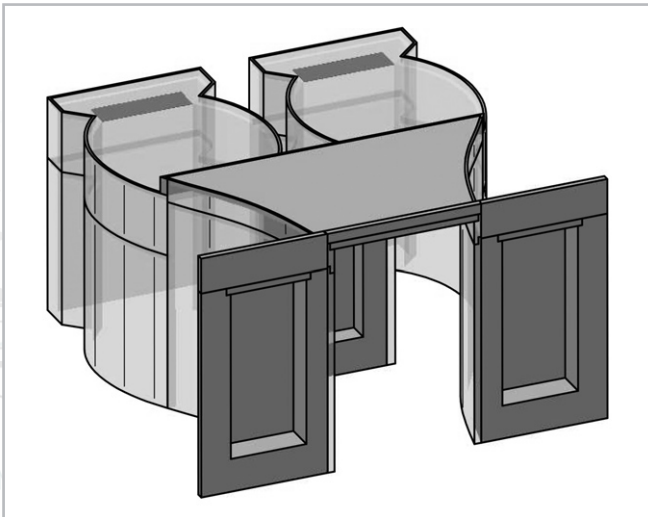
50

00

100

TEPIDARIUM  
FEMALE  
2020-0343-01

100



# Furnishings

Individual furnishings made of hard foam support elements in the wellness area:

- Massage tables – with or without heating
- Footbaths – with or without bench seat
- Fountains – e.g. ice fountains
- Partition walls







## Relaxation loungers

Relaxation loungers belong to the basic equipment of a wellness or spa area. They are used for relaxation between applications.

LUX ELEMENTS manufactures relaxation loungers in three standard shapes that fit the body's shape perfectly and are therefore **extremely comfortable**. Unlike lounges with fabric coverings, the tiled surface is very **easy to clean** and so meets important hygiene criteria.

In addition, we also manufacture **individually designed relaxation loungers**. For example, if a substrate is required for a heat-storing moulded ceramic, we can manufacture this relaxation lounger shape in single-part or series production.

Electric or water heaters with fully adjustable controllers can be integrated into all the models.



## Decorative elements

We realise decorative elements as special shapes for your individual planning, as well as standard articles:

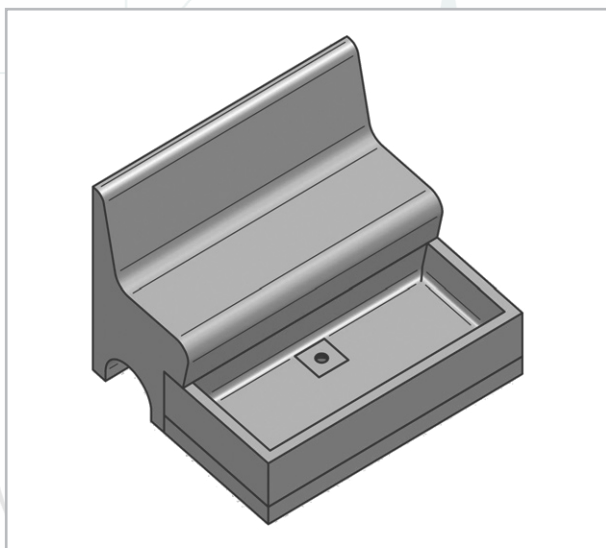
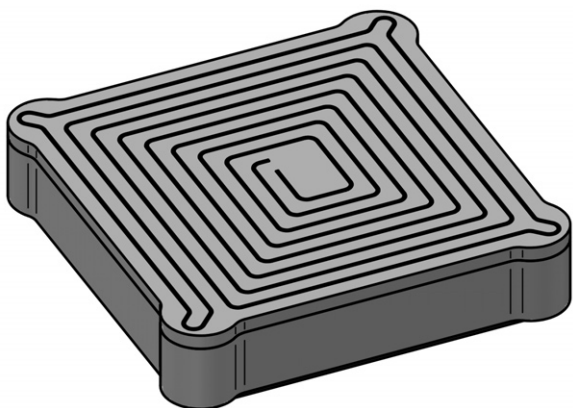
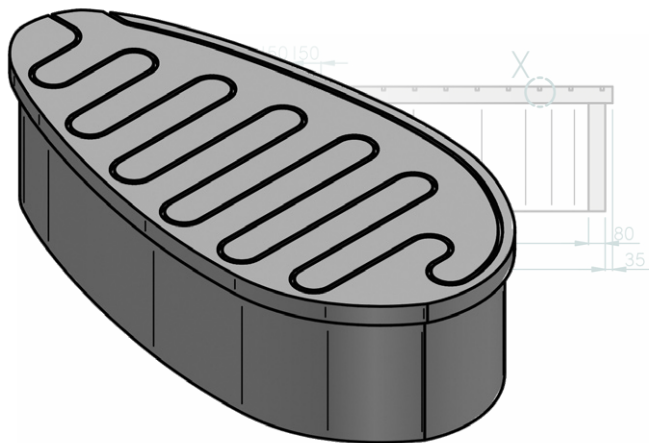
- **Concave trims** – for negative rounding of corners
- **Curvature elements** – for the rounding of sharp finishing edges



## LUX ELEMENTS

Furnishings

### FURNITURE



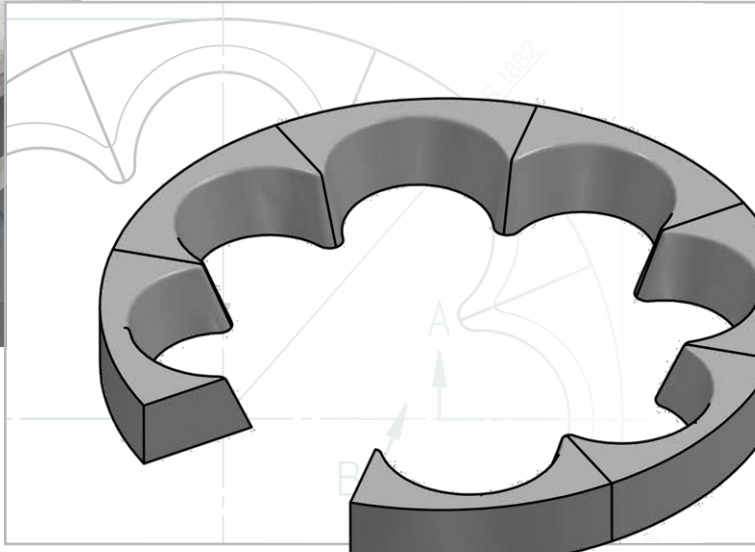
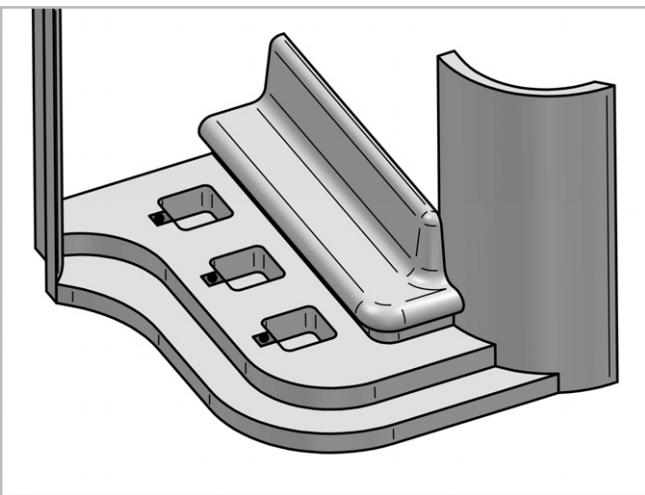
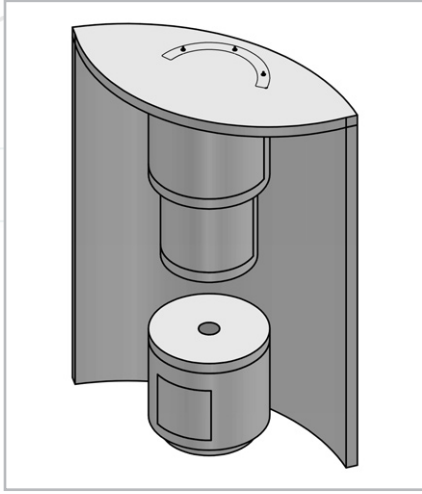
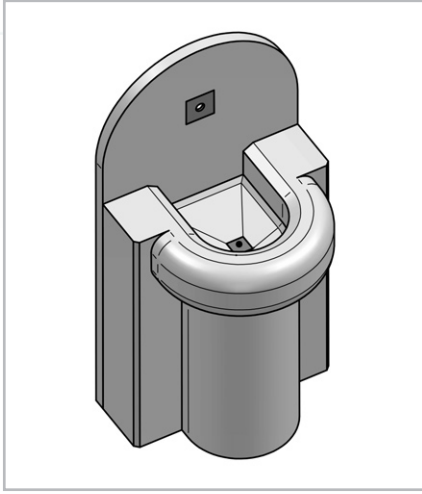
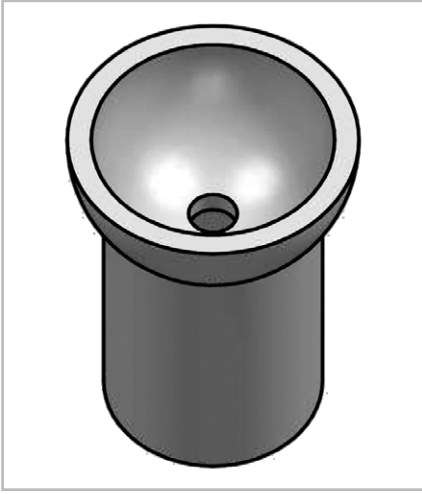
LUX ELEMENTS is your specialist for bespoke productions in individual wellness facilities. Here you can see examples of individual furniture made of hard foam support elements in the wellness area.

Our competence:

- Massage tables – with or without heating
- Footbaths – with or without bench seat
- Fountains – e.g. ice fountains
- Partition walls



334  
203  
14 x 45°  
B



## LUX ELEMENTS

### Relaxation loungers

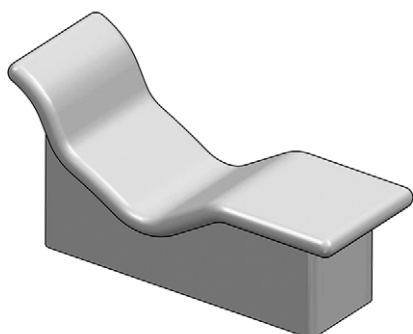
#### RELAX-RL



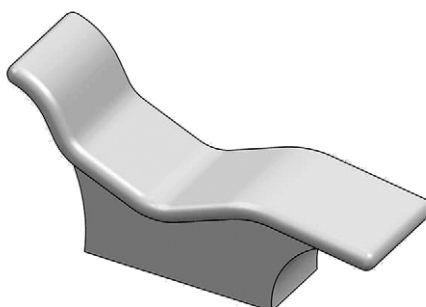
- Three different design variants as standard
- Optional with or without electrical heating system  
→ page 55
- Separate thermostatic controllers in different versions  
→ page 55
- Optional also with water heating  
→ page 55
- **Special shapes** – alternatively we can also realise your individual planning as a customised product

#### Designvarianten

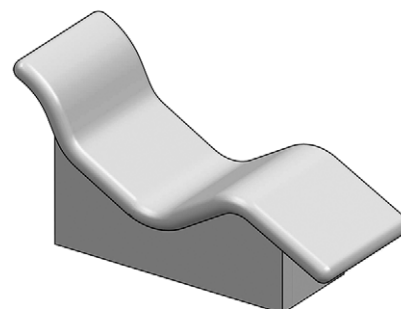
##### ■ RELAX-RL DREAM



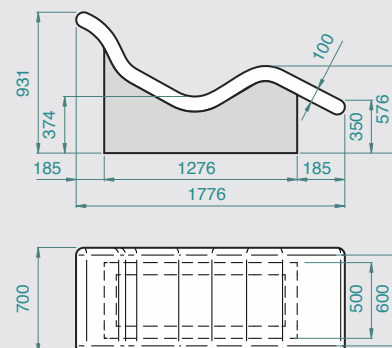
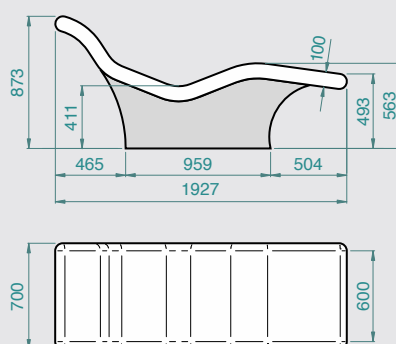
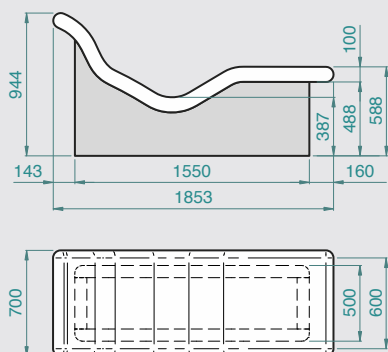
##### ■ RELAX-RL COMFORT



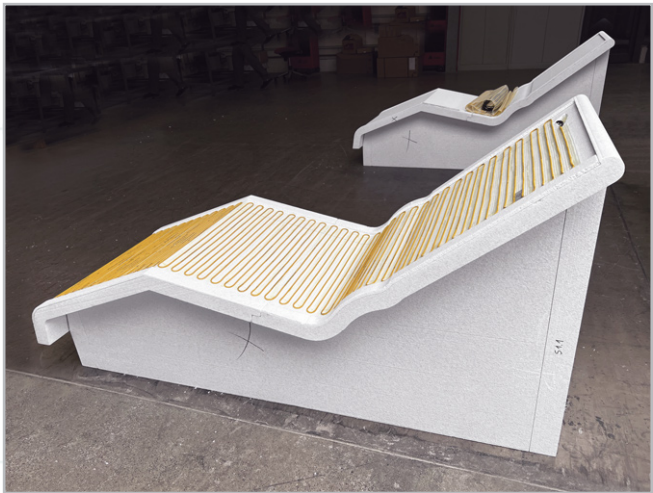
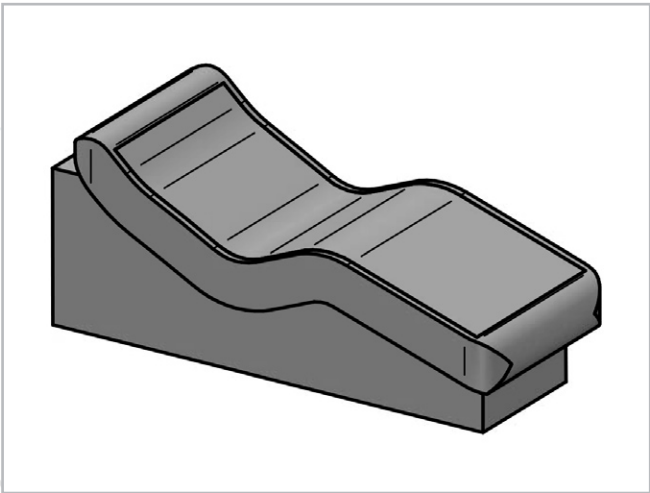
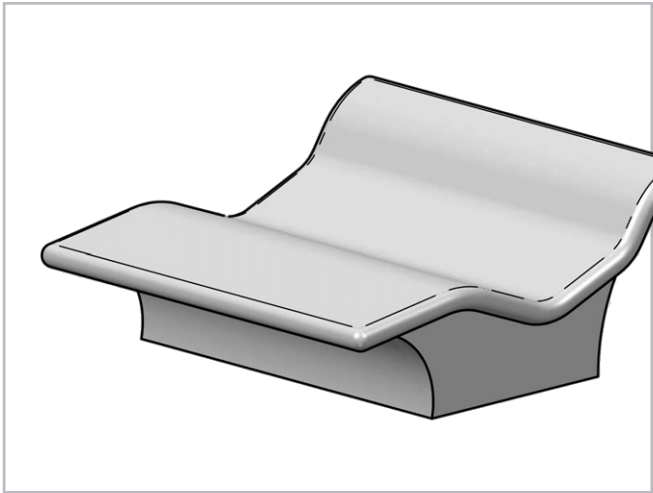
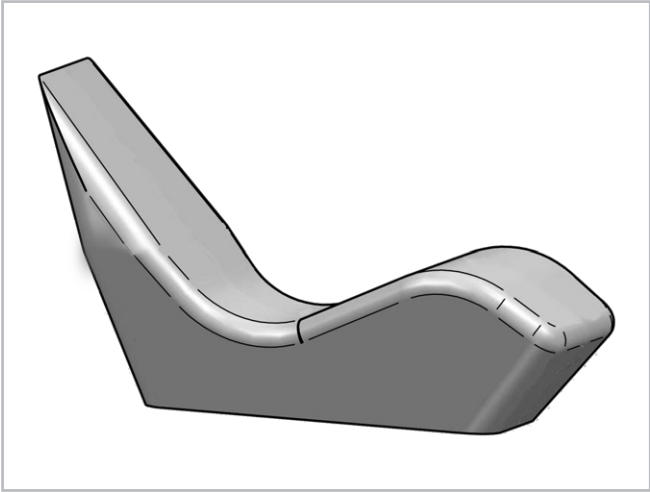
##### ■ RELAX-RL ENJOY



#### ■ Dimensions



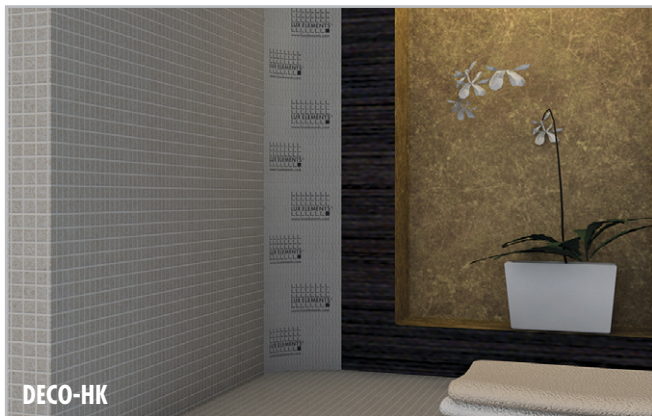
FURNISHINGS / RELAXATION LOUNGERS / DECORATIVE ELEMENTS  
RELAXATION LOUNGERS



## LUX ELEMENTS

### Decorative elements

#### DECO



#### Concave trims – DECO-HK

- In two sizes as standard
- For negative rounding of corners
- Decorative and functional
- Avoids the accumulation of water in corners
- Greater hygiene through easy cleaning



#### Curvature elements – DECO-AE

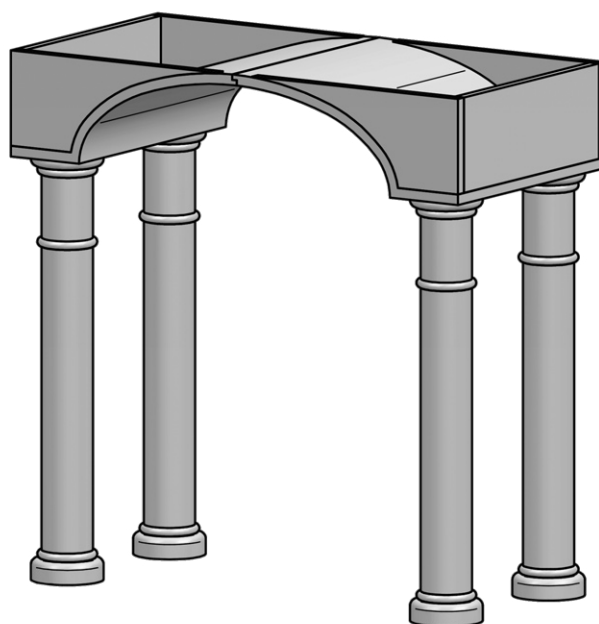
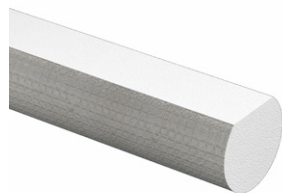
- For the rounding of sharp finishing edges
- Decorative and functional
- Combinable with **round shower – RELAX-RD** and **curved shower – RELAX-SD**  
→ from page 74

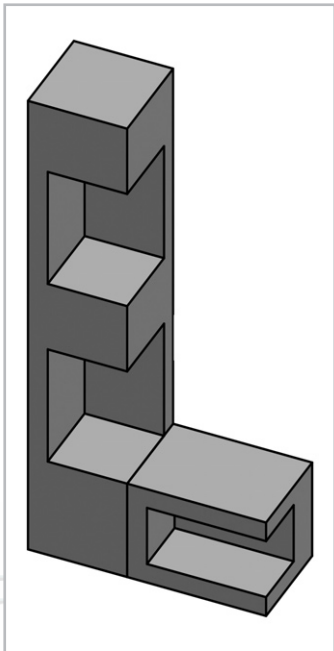
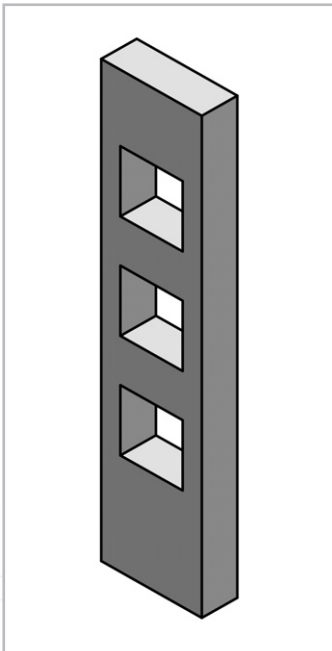
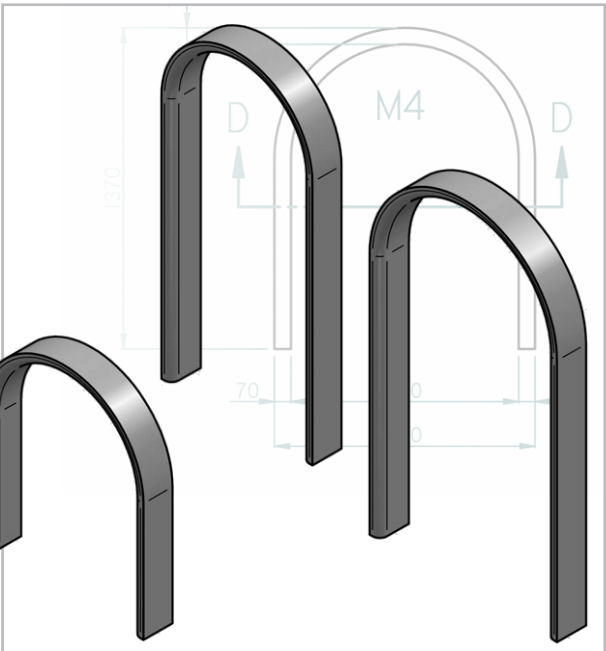
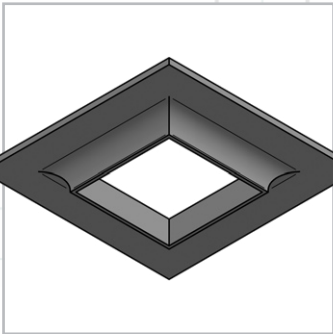
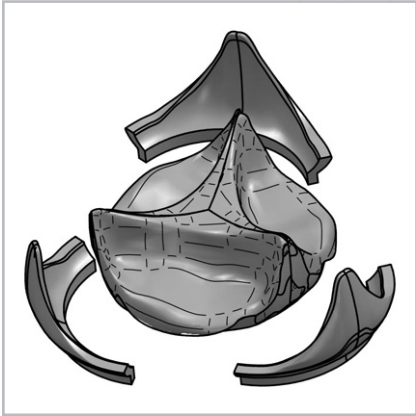
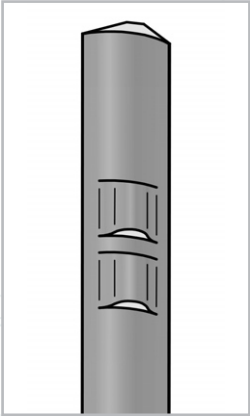
- **Special shapes** – alternatively we can also realise your individual planning as a customised product

#### ■ DECO-HK



#### ■ DECO-AE





MI



Photo: Simon Callaghan

**D LUX ELEMENTS GmbH & Co. KG**  
An der Schusterinsel 7 · D - 51379 Leverkusen  
Tel. +49 (0) 21 71/72 12-0  
[info@luxelements.de](mailto:info@luxelements.de)

**F LUX ELEMENTS S.A.S**  
ZI-31, rue d'Ensisheim · F - 68190 Ungersheim  
Tél. +33 (0) 3 89 83 69 79  
[info@luxelements.fr](mailto:info@luxelements.fr)



[www.luxelements.com](http://www.luxelements.com)